

ALPHAarchitects  
17 CHESTNUT STREET  
PORTLAND, ME 04101  
PHONE: 207.761.9500  
FAX: 207.761.9595  
design@alphaarchitects.com

**COPYRIGHT**  
Reuse or reproduction of the contents of this document is not permitted without written permission of ALPHA ARCHITECTS



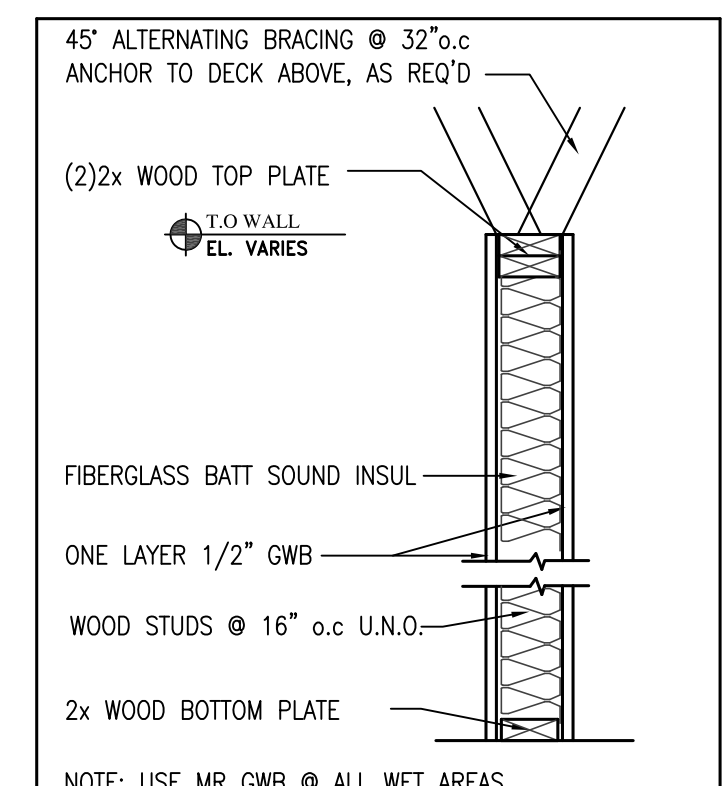
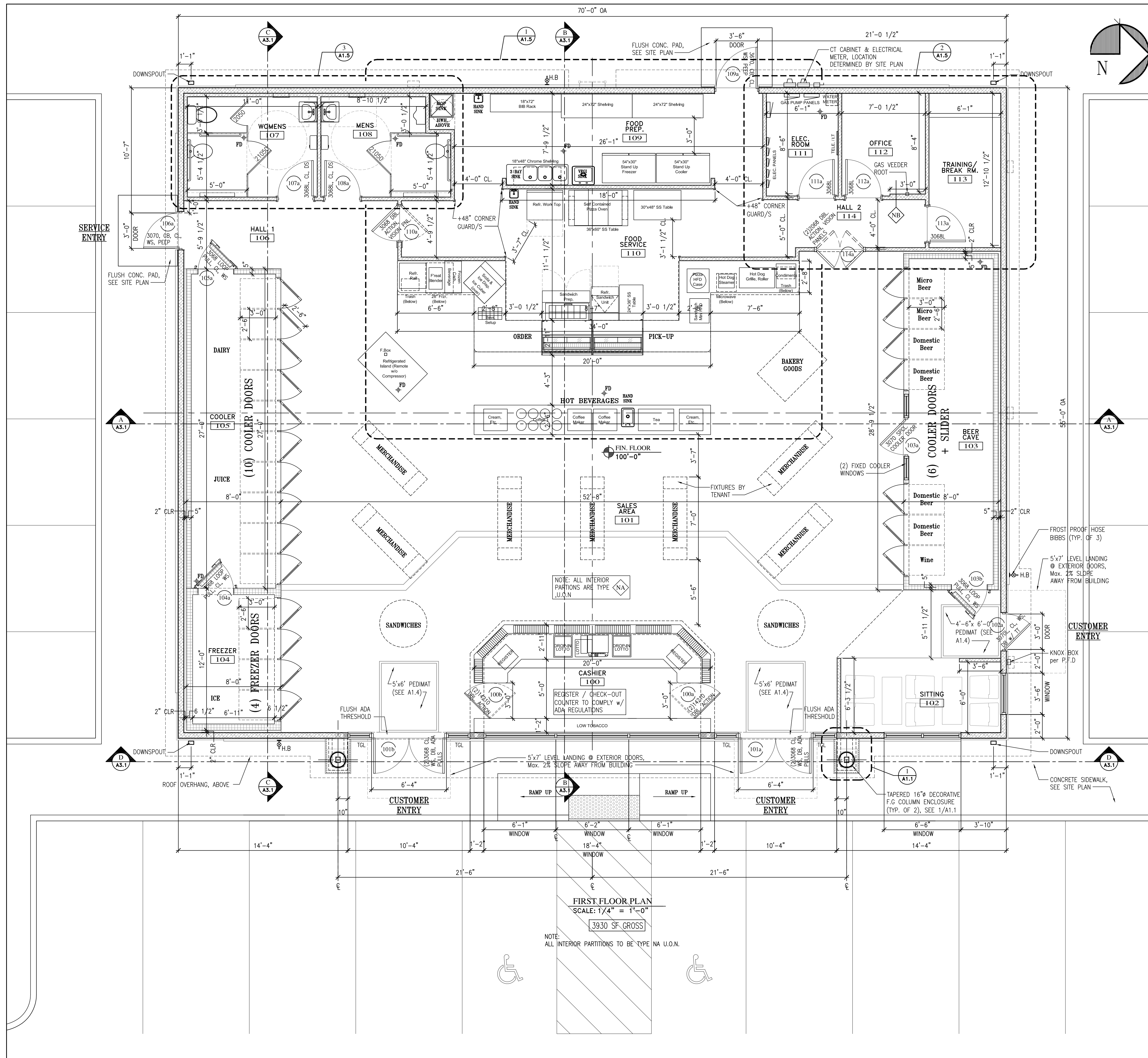
**Portland Property Holdings LLC**  
2282 Congress Street  
Portland, ME. 04102

JOB: 12132

ISSUE DATE	
PRELIM	03-27-13
P BOARD	-
SFMO	09-04-14
CD's	-
REV. 1	-
PRINT	07-07-15

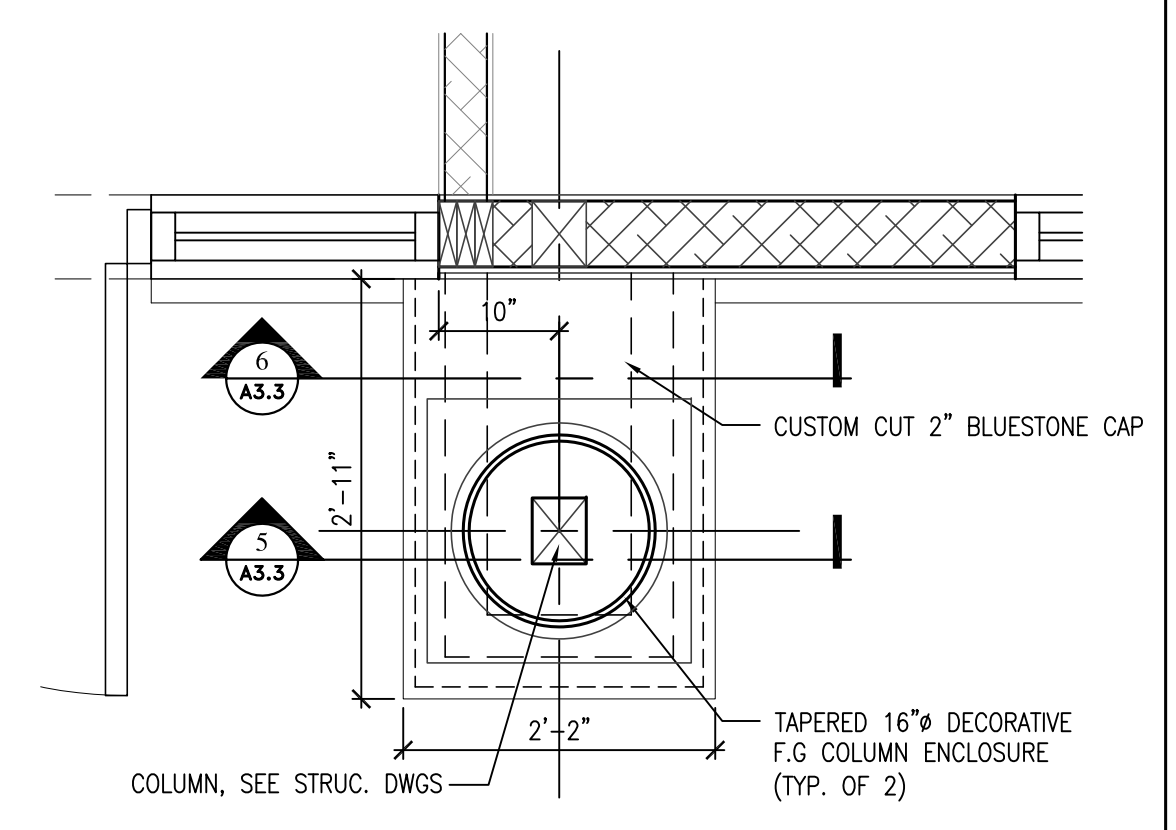
FIRST FLOOR PLAN  
**A1.1**

07-07-15



WD 2x4 STUD WALL NOT RATED  
WD 2x6 STUD WALL NOT RATED

**ABBREVIATIONS:**  
C.O = CASING OPENING w/ 1x3 FLAT CASING w/ EASED EDGES  
CL = DOOR CLOSER  
WS = WEATHER STRIPPING SYSTEM  
DB = DEAD BOLT  
DS = DOOR STOP  
L = ADA LEVER  
xS = (x = #) SHELVES



1 COLUMN / PILLASTER DETAIL  
A1.1 SCALE: 3/4" = 1'-0"