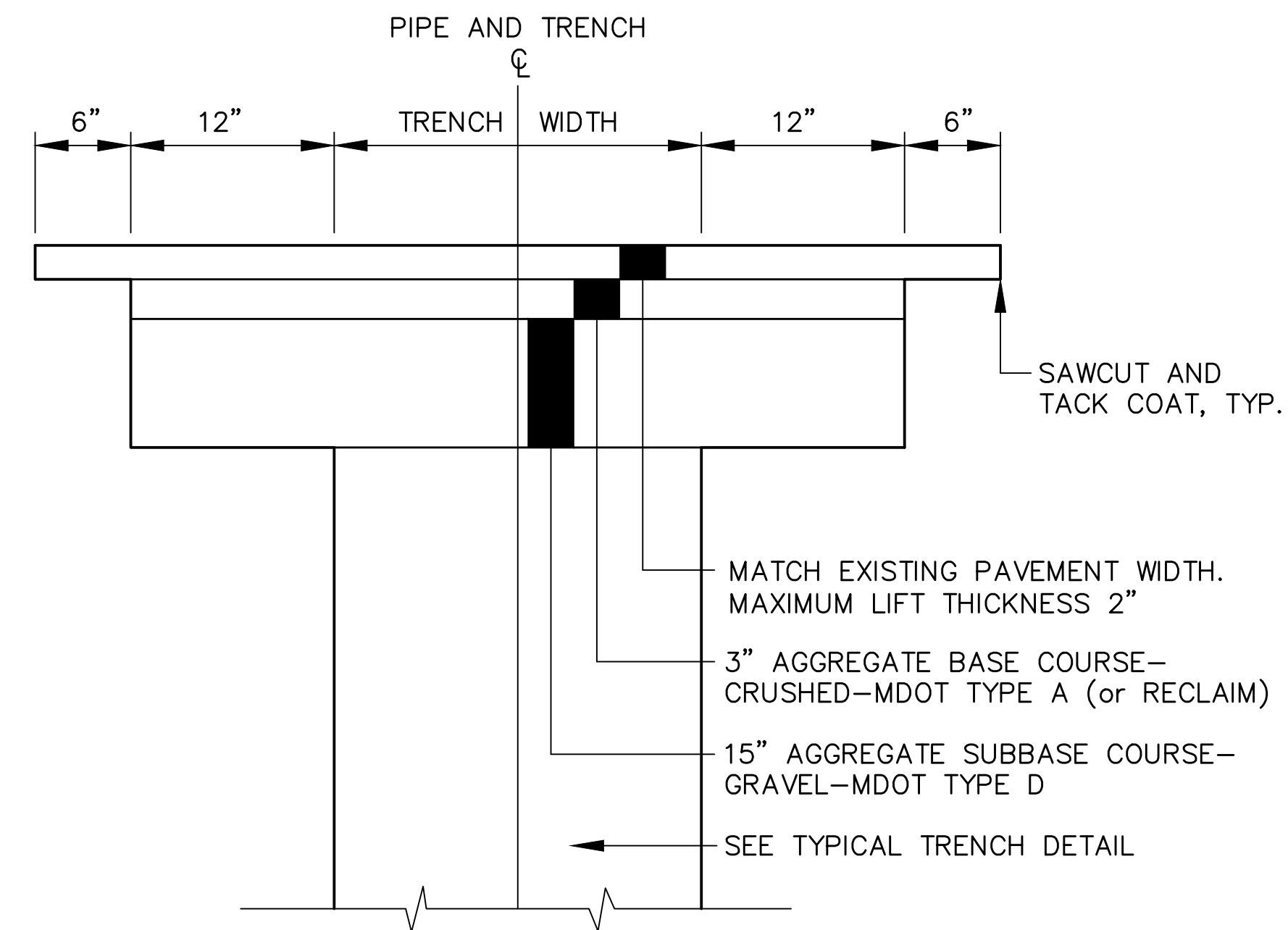
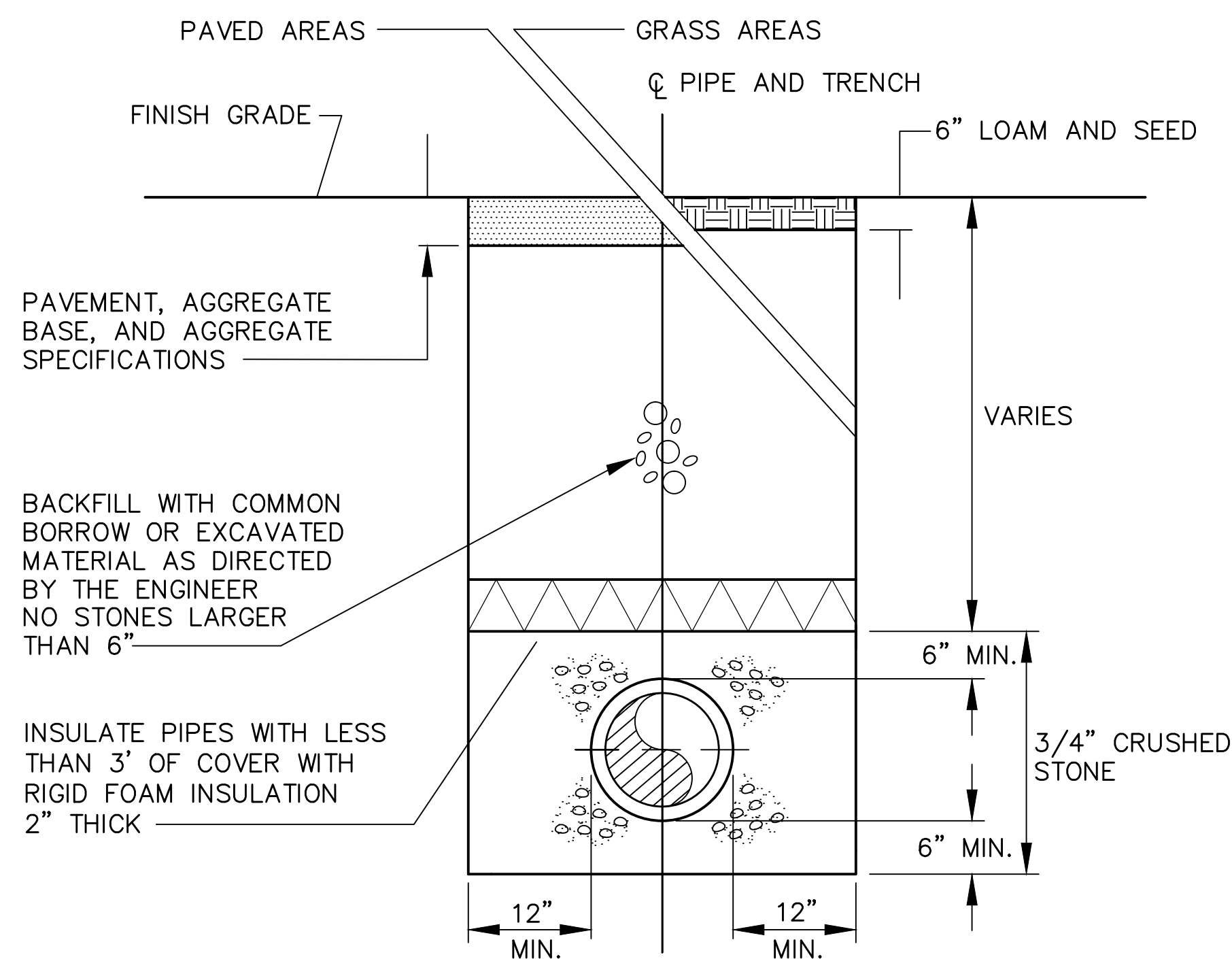


ALL MATERIALS AND WORKMANSHIP SHALL MEET
 PORTLAND WATER DISTRICT STANDARDS
 CONTRACTOR TO COORDINATE WITH PDW FOR SERVICE TAP

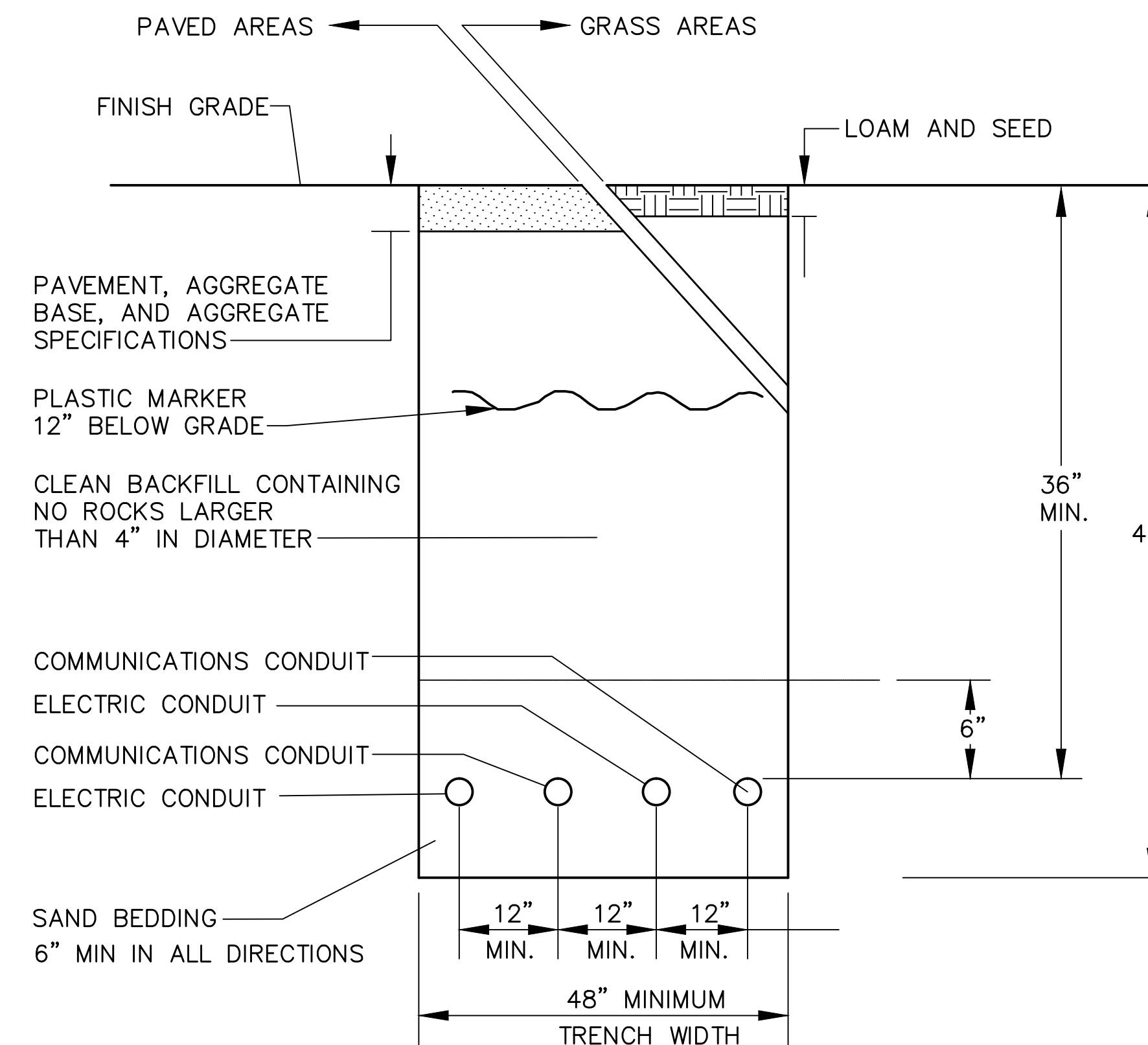
TYPICAL COPPER DOMESTIC SERVICE DETAIL
 NOT TO SCALE



TYPICAL TRENCH PAVING DETAIL
 NOT TO SCALE



TYPICAL TRENCH - STORMDRAIN & SEWER
 NOT TO SCALE



SEE ELECTRICAL PLANS FOR CONDUIT SIZES

UNDERGROUND UTILITY TRENCH DETAIL
 NOT TO SCALE

ISSUED FOR
 PERMITTING ONLY



5 Milk Street
 Portland, Maine 04101
 207 774 4811
 www.wintonscott.com



Civil Engineering:
 RANSOM CONSULTING, INC.
 400 Commercial Street,
 Suite 404
 Portland, ME 04101
 T. 207.772.2891

Electrical Engineering:
 SWIFT CURRENT ENGINEERING
 Royal River Center, Unit 4B
 10 Forest Falls Drive
 Yarmouth, ME 04096
 T. 207.847.9280

City of
 Portland
 Public Services
 Department:

Water
 Resources
 Division

Facility at
 109 District Rd,
 Portland

PERMIT SET
 OCTOBER 20, 2015

UTILITY DETAILS

Scale: As Noted

C-2