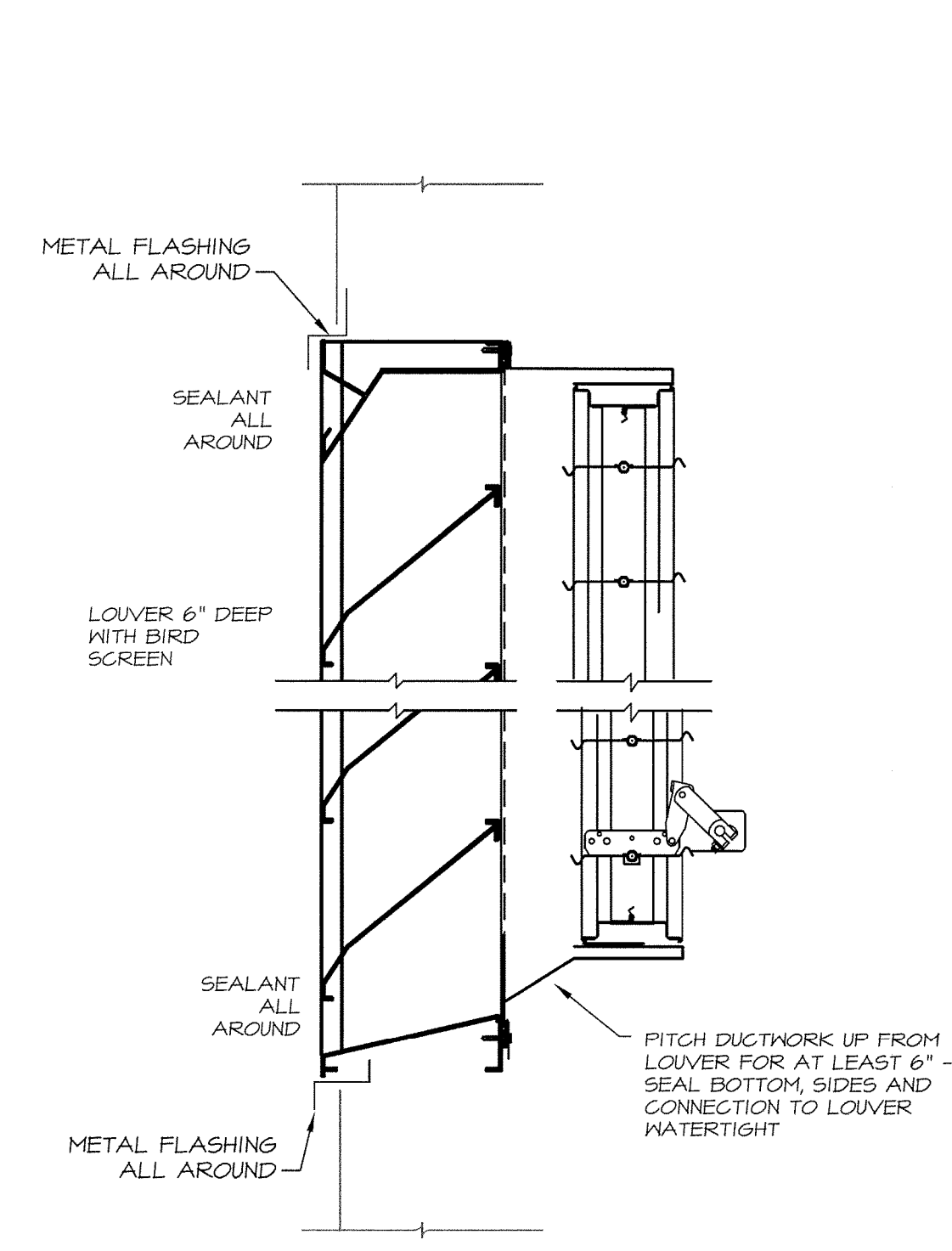
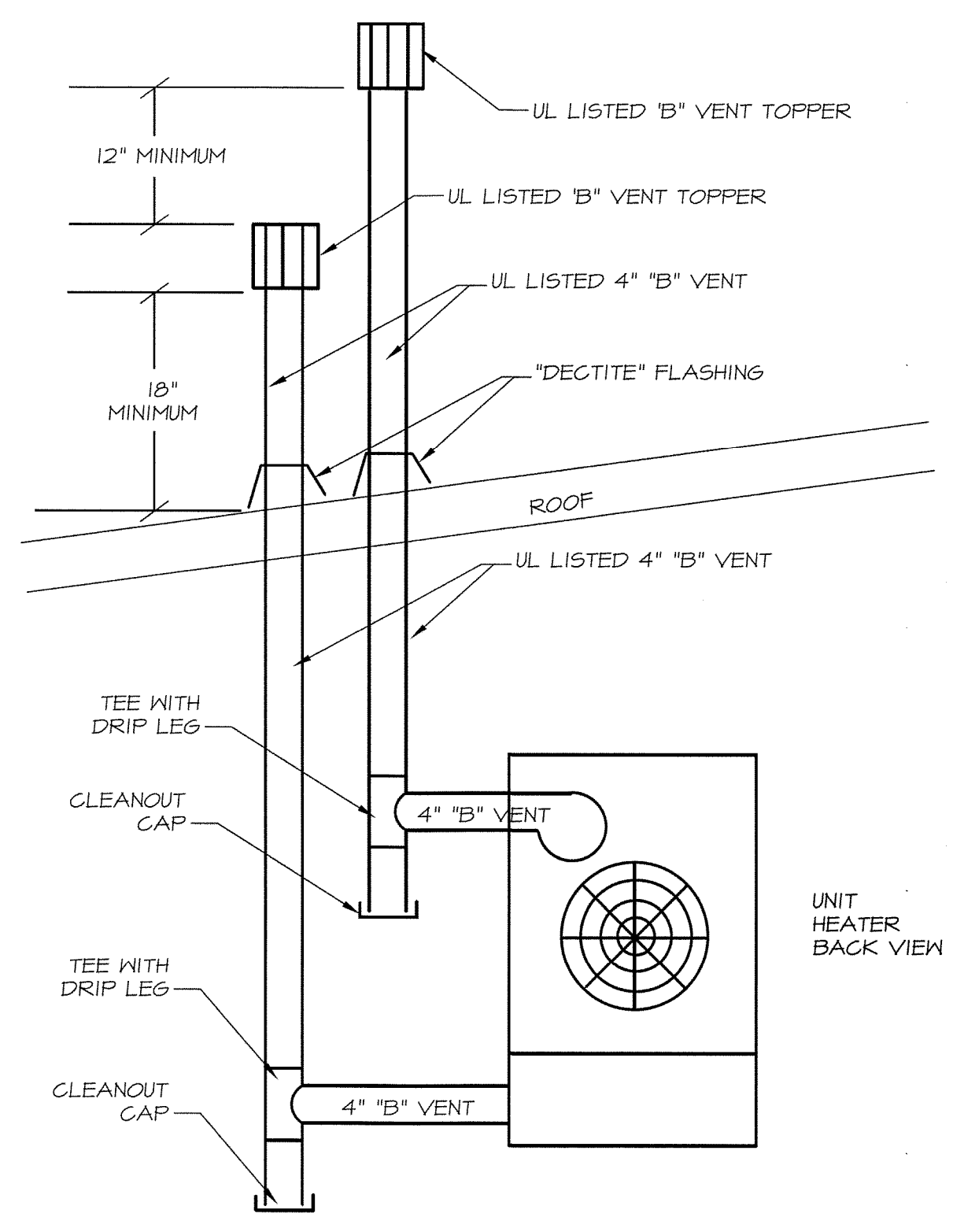


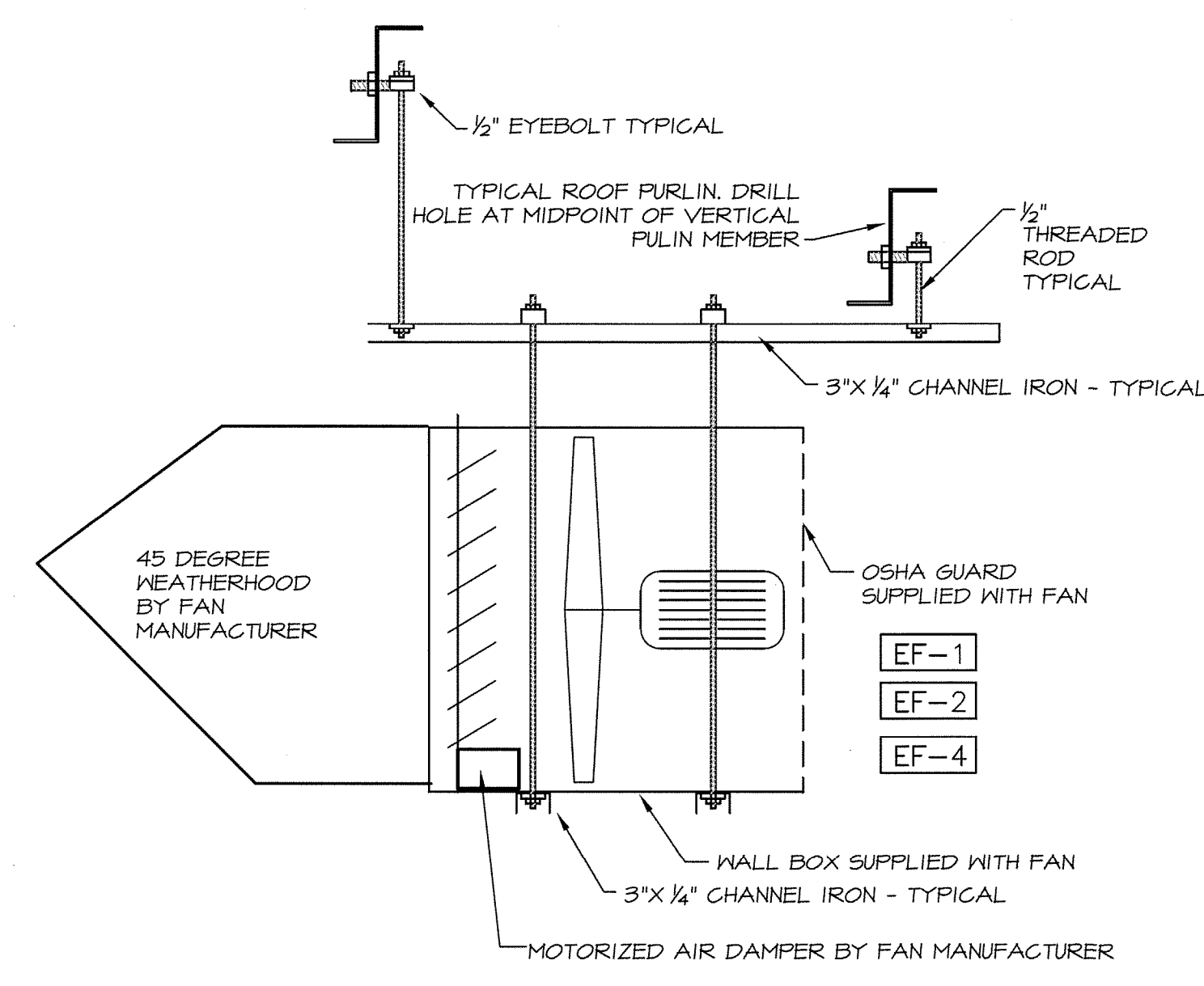
1 SECTION VIEW FOR COORDINATION
SCALE: 1/4" = 1'-0"



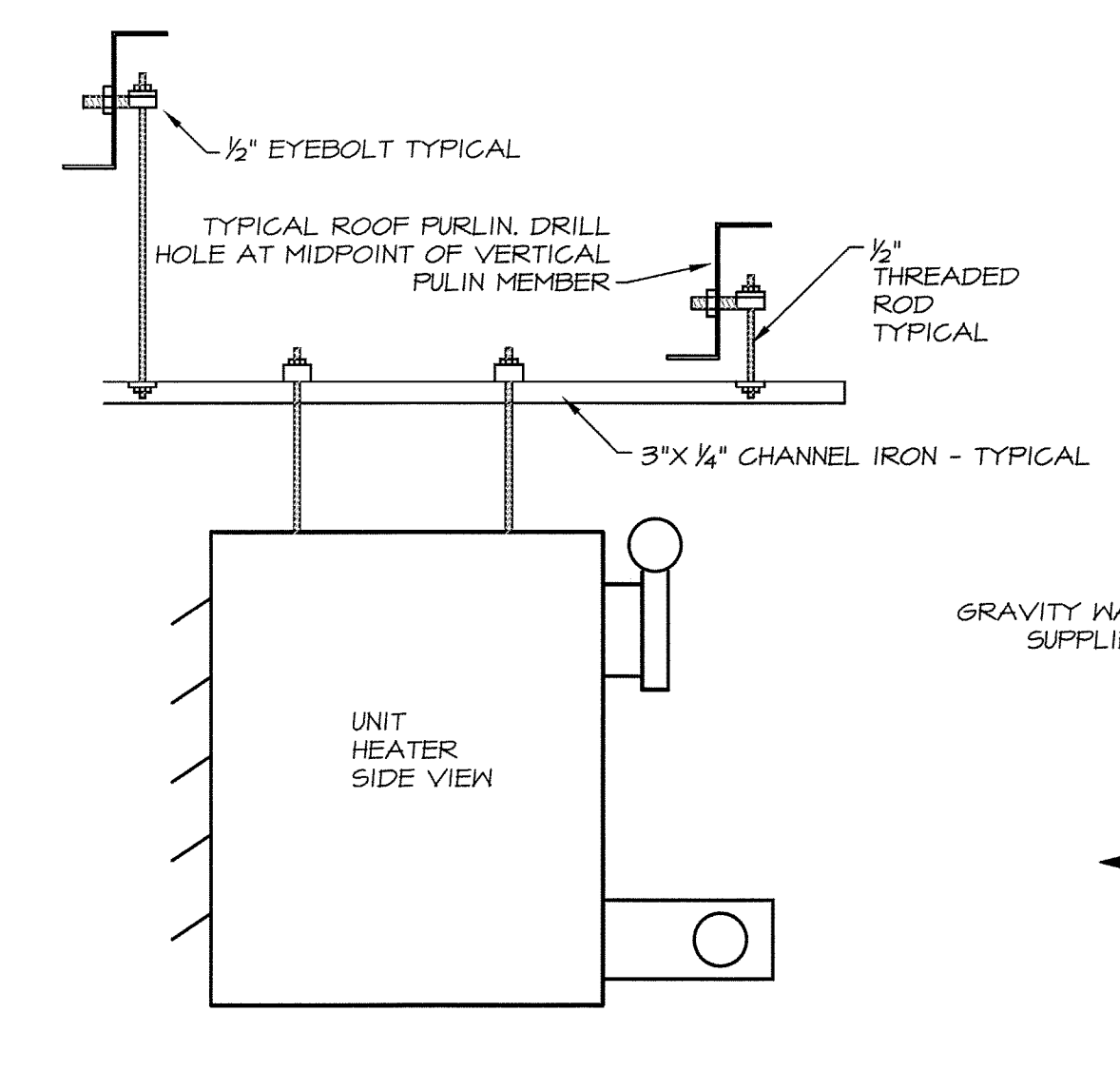
2 EXTERIOR LOUVER DETAIL FOR METAL WALLS
NO SCALE



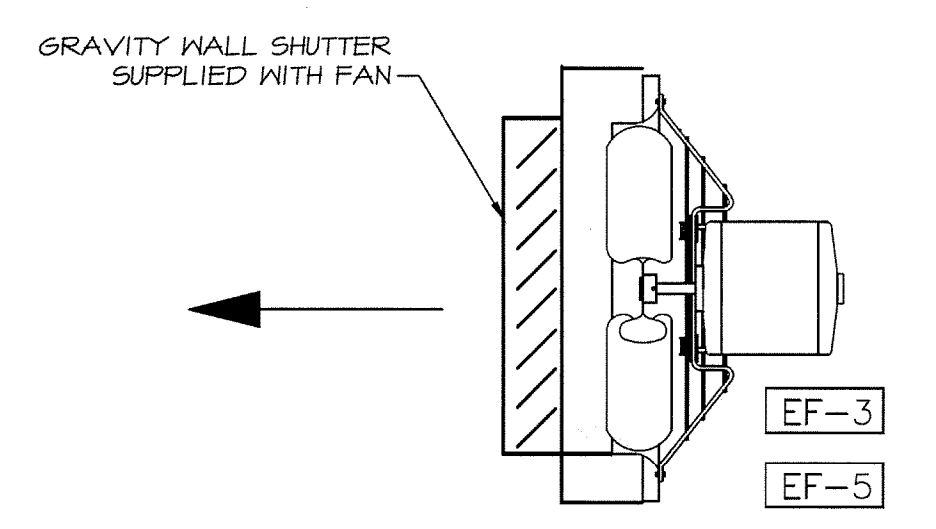
3 VENT & COMBUSTION AIR DETAIL
UH-1,2,3,4,5&6
NO SCALE



4 SECTION VIEW
EF-1,2&4
NO SCALE



5 HANGING DETAIL
UH-1,2,3,4,5&6
NO SCALE



6 SECTION VIEW
EF-3&5
NO SCALE



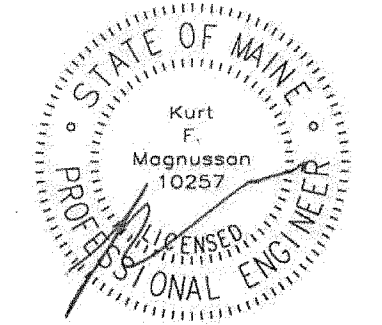
5 Milk Street, Portland, ME 04101
207.774.4811 | wintonscott.com

Mechanical and Plumbing Engineering:
MECHANICAL SYSTEMS ENGINEERS

Royal River Center, Unit 10B
10 Forest Falls Drive
Yarmouth, ME 04096
T. 207.847.9280

Electrical Engineering:
SWIFT CURRENT ENGINEERING SERVICES

Royal River Center, Unit 8B
10 Forest Falls Drive
Yarmouth, ME 04096
T. 207.847.9280



MECHANICAL SYSTEMS ENGINEERS
ROYAL RIVER CENTER, UNIT #10B
10 FOREST FALLS DRIVE
YARMOUTH, MAINE 04096
FACEBOOK: MECHANICAL SYSTEMS ENGINEERS
207-846-1441
M.S.E. Proj. 1424
© COPYRIGHT 2014



PORTLAND PUBLIC WORKS
109 DISTRICT ROAD FACILITY
Truck Bay Enclosure Project
109 District Road
Portland, Maine

HEATING & VENTILATION DETAILS

Scale: As Noted

M1.2

JUNE 17, 2016