

**ABS PAD LAYOUT PLAN**  
SCALE: 3/16"=1'-0"

TIE-DOWN STRAP (TYPICAL ALL)  
MAX SPACING = 9'-4" O.C. OR PER  
ENGINEERED REQUIREMENTS.  
EACH LOCATION 3150LB CAPACITY

**TIE-DOWN INSTRUCTIONS:**

- MATERIALS**
1. CABLE, CLAMPS OR STRAPS.
  2. TENSIONER SPLIT BOLT OR TURNBUCKLES.
  3. ANCHORS, EYEBOLTS, CROSS DRIVE RODS
  4. STABILIZERS DISC DRIVE OR ZIP CAPS.

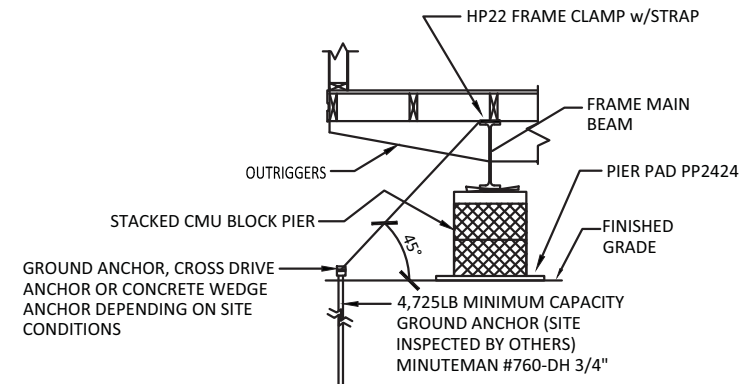
**PROCEDURE FOR TIEING DOWN BUILDINGS:**

1. POSITION AND INSTALL ANCHORING SYSTEMS, CROSS DRIVE RODS, OR AUGERS DEPENDING ON SOIL CONDITIONS.
2. INSTALL STRAP, CABLE, TENSIONERS AND CLAMPS PER DETAIL.
3. FOLLOW SPACING DETAILS PER ATTACHED.
4. POSITION AND INSTALL STRAP OR CABLE WITH ANGLE APPROXIMATELY 45 DEGREES, EXCEPT ALTERNATE #3 CABLE IS PERPENDICULAR TO CONCRETE.

**GENERAL NOTES:**

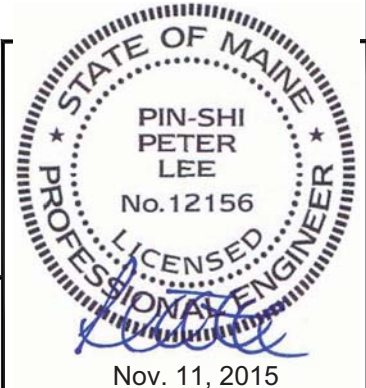
1. ALL FOUNDATION CONSTRUCTION, MATERIALS AND INSTALLATION SHALL BE IN ACCORDANCE WITH ALL APPLICABLE STATE AND LOCAL CODES. THE PIER LOCATIONS PROVIDED ON THIS PLAN ARE FOR THE SOLE PURPOSE OF IDENTIFYING THE LOCATION OF THE REQUIRED BLOCKING POINTS FOR THIS BUILDING. FOUNDATION REQUIREMENTS ARE NOT KNOWN DUE TO VARYING SOIL CONDITIONS. FOUNDATION REVIEW AND INSPECTION IS TO BE PERFORMED BY THE LOCAL OFFICIAL HAVING JURISDICTION.
2. SINGLE STACK CONCRETE BLOCK FOR PIERS UP TO 26" IN HEIGHT MAX. DOUBLE STACK CONCRETE BLOCK FOR PIERS FROM 26" UP TO 46" MAX W/O SURFACE BONDING OR MORTAR. DOUBLE STACK PIERS FROM 46" UP TO 62" MAX. WITH SURFACE BONDING OR MORTAR.
3. CORNER PIERS OVER 26" HIGH (THREE BLOCKS) SHALL BE DOUBLE BLOCK CONSTRUCTION.
4. TIE-DOWN STRAPS TO BE 1-1/4" X .035" TYPE-1, FINISH B, GRADE 1 ZINC COATED STEEL STRAPPING CONFORMING WITH ASTM A395-91. THE TIE DOWN STRAPS AND CONNECTING HARDWARE SHALL HAVE A MINIMUM WORKING CAPACITY OF 3,150 LBS.
5. GROUND ANCHORS SHALL HAVE A 3,150# MINIMUM WORKING CAPACITY AND SHALL BE INSTALLED IN ACCORDANCE WITH THE MANUFACTURER'S SPECIFICATIONS.
6. THE MINIMUM NET AREA OF VENTILATION OPENINGS SHALL NOT BE LESS THAN 1SQ. FT IN 150 SQ. FT OF CRAWL-SPACE AREA.
7. MINIMUM CRAWL SPACE ACCESS AREA TO BE 18" X 24"
8. MINIMUM SOIL BEARING CAPACITY IS 3,000 PSF. TO BE VERIFIED BY BUILDING'S OWNER.

**NOTE:**  
THIS BLOCKING DESIGN BY SCHIAVI LEASING, IS ONLY A SUGGESTED DESIGN. FOUNDATION DETAILS, FOUNDATION SIZES & TIE DOWN LOCATIONS SHALL BE SPECIFIED ACCORDING TO LOCAL JURISDICTION. FINAL DESIGN IS SUGGESTED TO BE APPROVED BY A PROFESSIONAL ENGINEER FAMILAR WITH ALL OF THE SITE CONDITIONS.



**TYPICAL OUTRIGGER BLOCKING DETAIL**

**PETER LEE, P.E. M.S.**  
ENGINEERING INTERNATIONAL, INC.  
ENGINEER: PETER LEE, P.E., M.S.  
CONSULTING ENGINEER  
23329 CENTURY DRIVE  
ELKHART, IN 46514



SCHIAVI LEASING  
JENNIFER CURRIER  
103 AIRPORT ROAD  
OXFORD, ME 04270  
PH: (207) 539-8211  
FAX:  
WWW.VANGUARDMODULAR.COM

**FOUNDATION PLAN - ABS**

SERIAL #: 1386 A-B  
OCCUP: E  
DRAWING #: VGM-2015-0027

This document and all information contained herein, are the proprietary data and trade secrets of Vanguard Modular Building Systems (VMBS), and Schiavi Leasing Corporation (Schiavi). This document and the information contained herein may not be reproduced, used, or disclosed in any manner, or to any extent. Written authorization by a current employee of VMBS or Schiavi must be obtained prior to use of this information, in any form, including that which is represented by this complete page.

Drawing Date: 11-10-2015  
Project: PORTLAND, ME  
Drawn By: J.L.B.  
Sheet: **FD1-A**  
Scale: 3/16"=1'-0"  
1 of 1