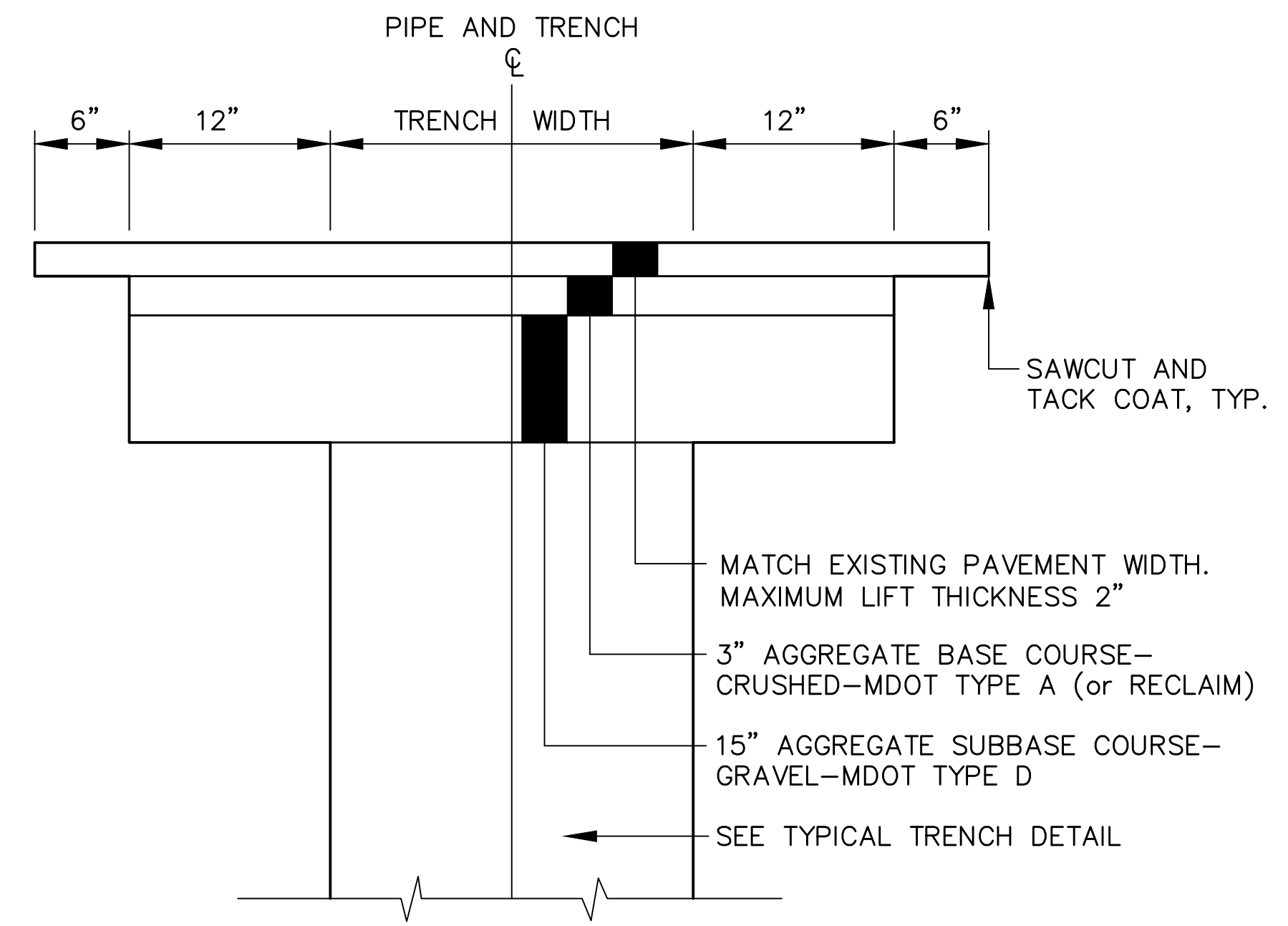
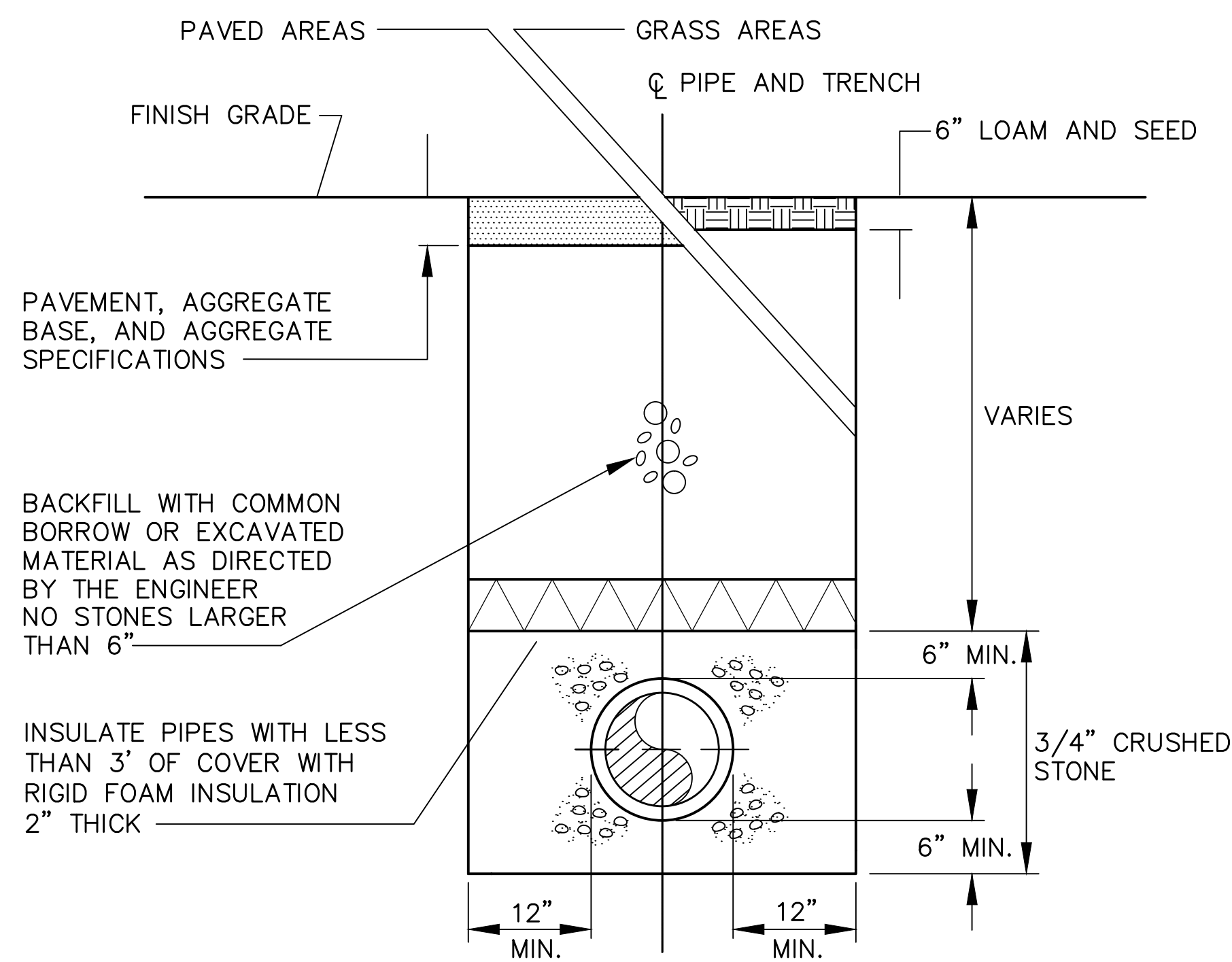


ALL MATERIALS AND WORKMANSHIP SHALL MEET  
 PORTLAND WATER DISTRICT STANDARDS  
 CONTRACTOR TO COORDINATE WITH PDW FOR SERVICE TAP

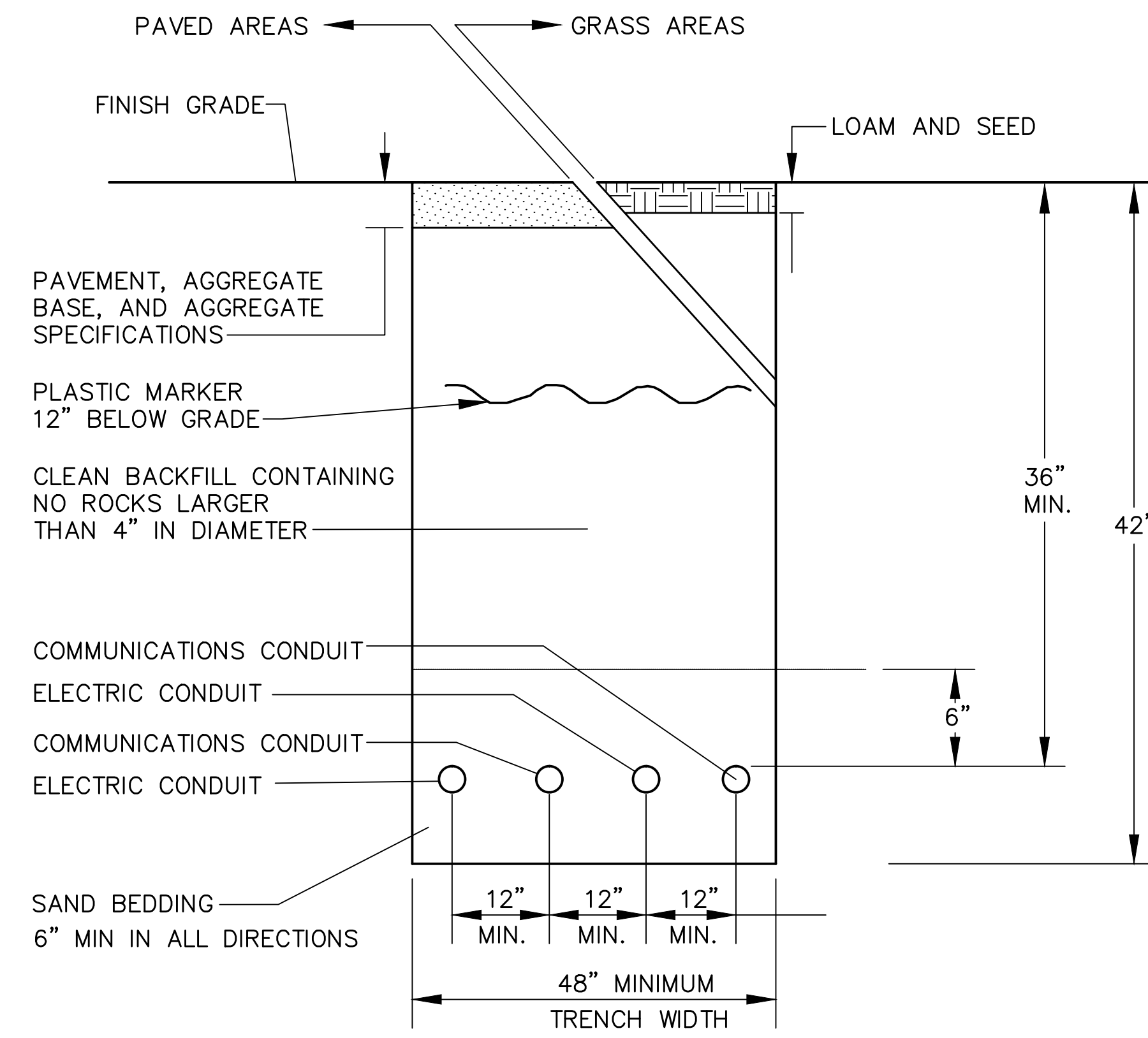
**TYPICAL COPPER DOMESTIC SERVICE DETAIL**  
 NOT TO SCALE



**TYPICAL TRENCH PAVING DETAIL**  
 NOT TO SCALE



**TYPICAL TRENCH - STORMDRAIN & SEWER**  
 NOT TO SCALE



SEE ELECTRICAL PLANS FOR CONDUIT SIZES

**UNDERGROUND UTILITY TRENCH DETAIL**  
 NOT TO SCALE



5 Milk Street  
 Portland, Maine 04101  
 207 774 4811  
 www.wintonscott.com



Civil Engineering:  
 RANSOM CONSULTING, INC.  
 400 Commercial Street,  
 Suite 404  
 Portland, ME 04101  
 T. 207.772.2891

Electrical Engineering:  
 SWIFT CURRENT ENGINEERING  
 Royal River Center, Unit 4B  
 10 Forest Falls Drive  
 Yarmouth, ME 04096  
 T. 207.847.9280

City of  
 Portland  
 Public Services  
 Department:

Water  
 Resources  
 Division

Facility at  
 109 District Rd,  
 Portland

PERMIT SET  
 OCTOBER 20, 2015

UTILITY DETAILS

Scale: As Noted

C-2

ISSUED FOR  
 PERMITTING ONLY