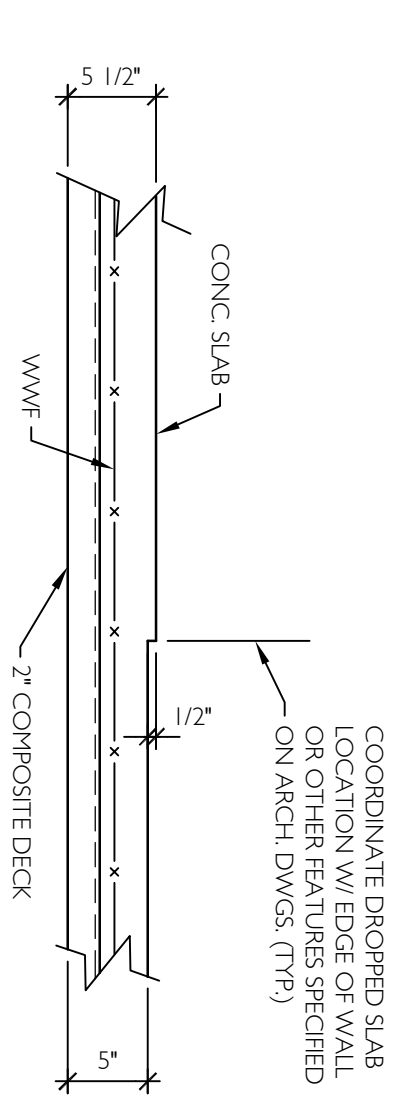
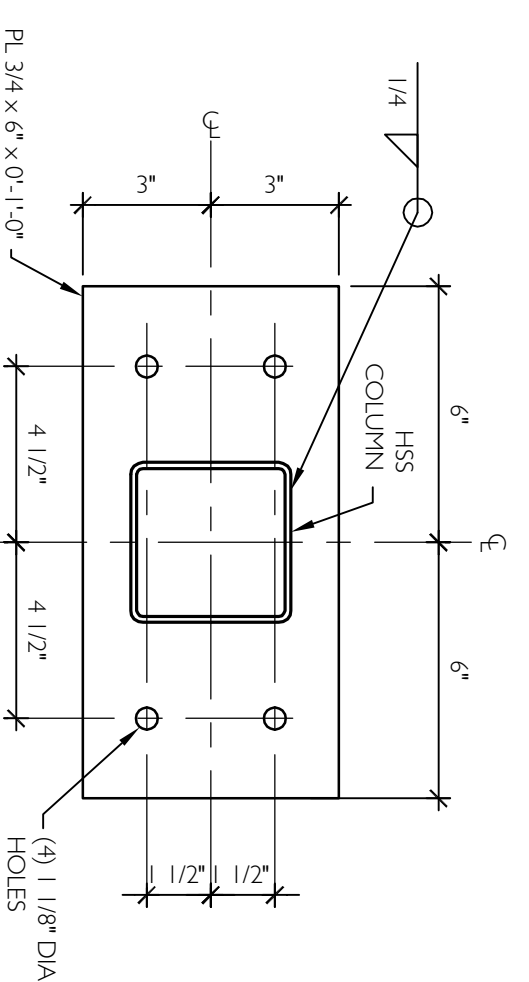
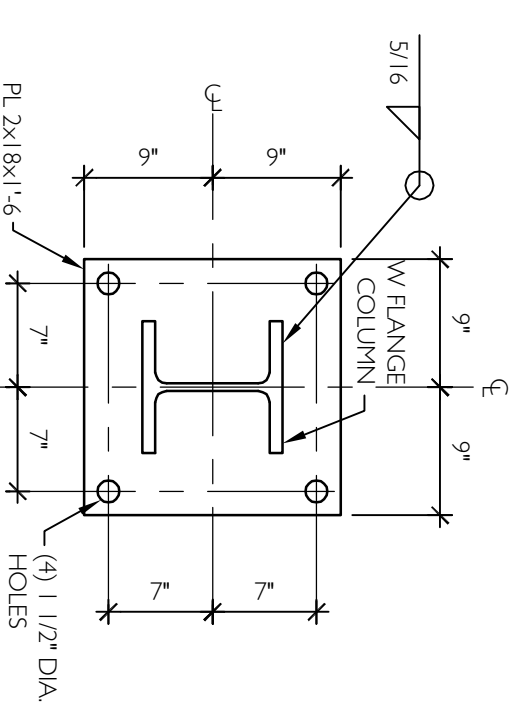
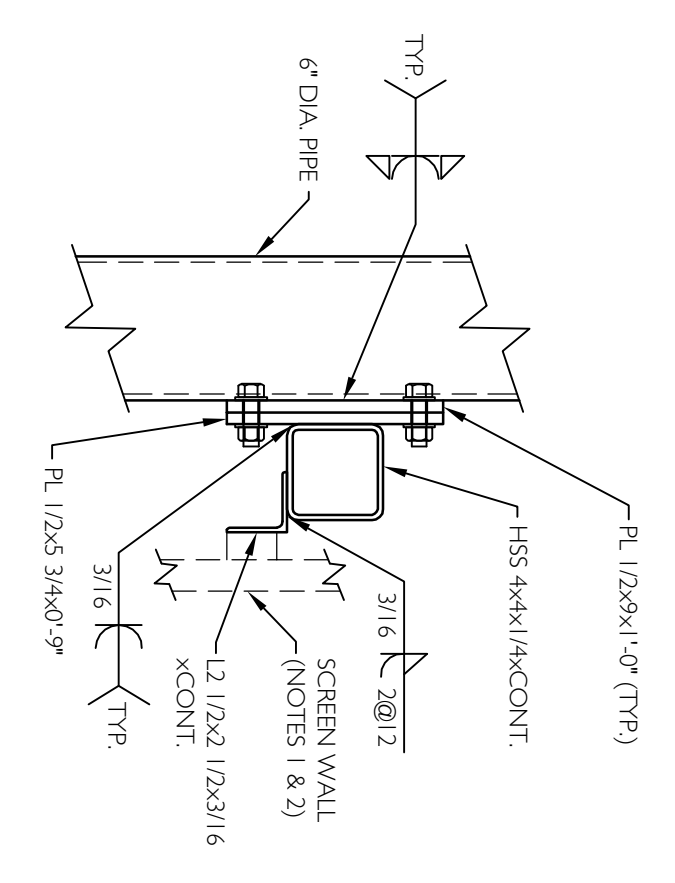


J1 TYPE 1 BASE PLATE

J4 TYPE 2 BASE PLATE

J8 TYPE 3 BASE PLATE

J12 TYPE 4 BASE PLATE



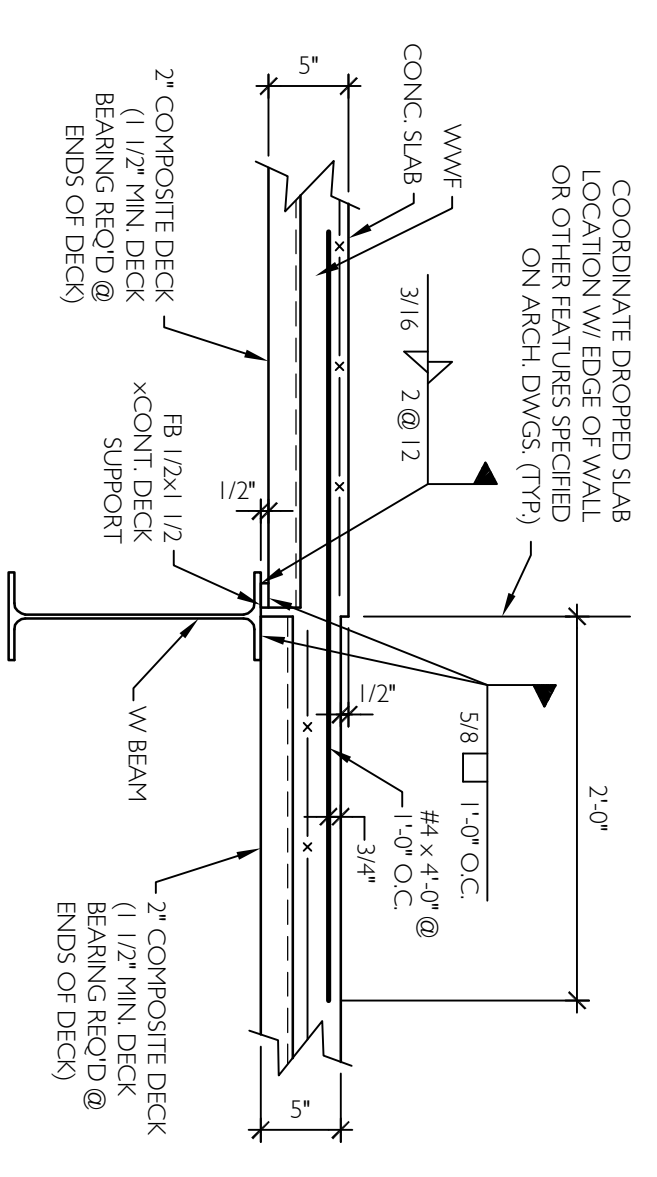
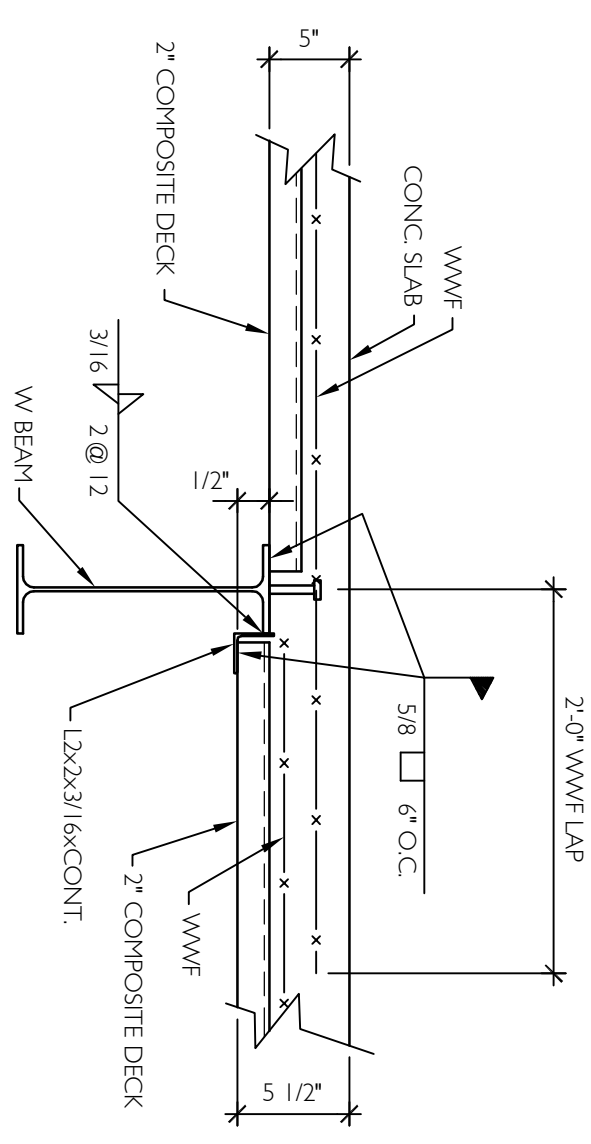
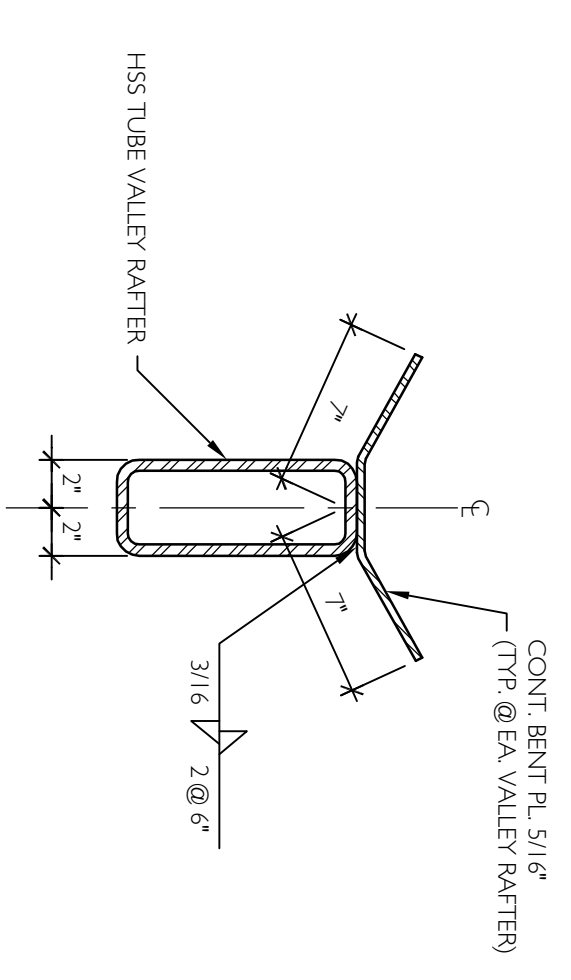
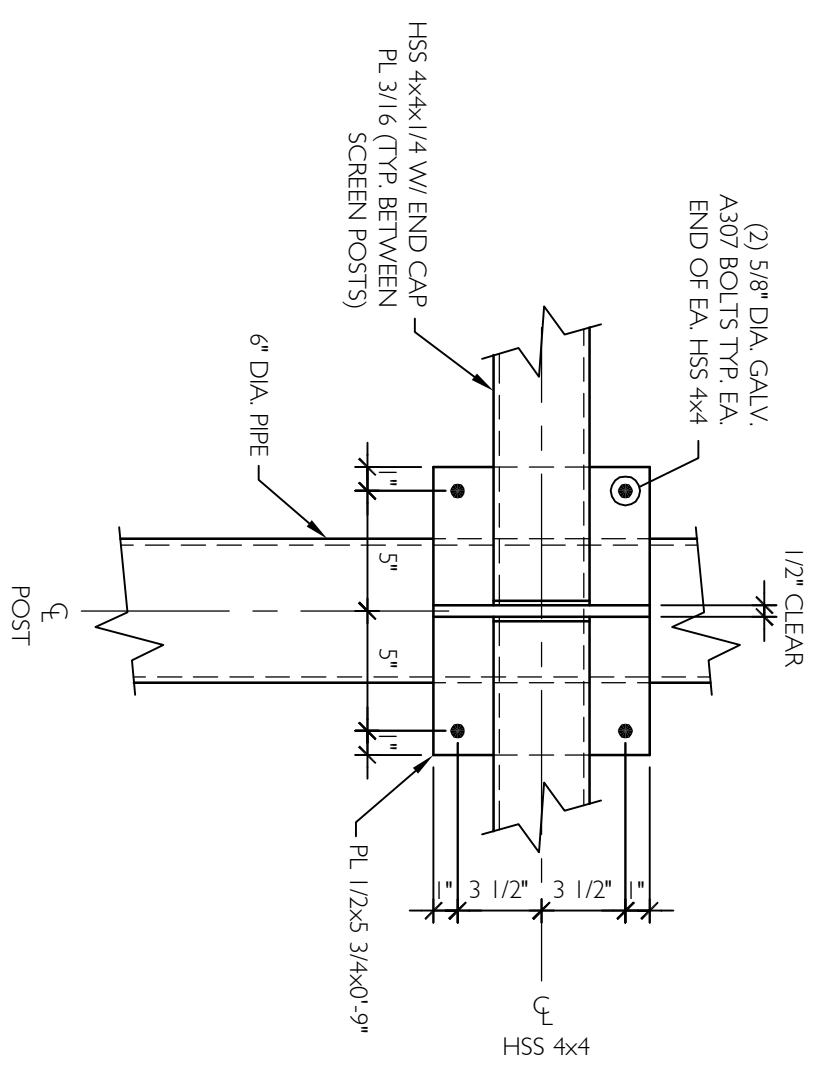
NOTES:
1. Screen wall fasteners shall be as specified by screen wall fabricator (field drill fastener holes).
2. Total self-weight of screen wall shall not exceed 6 pcf.

E1 DETAIL

E4 TYPE 5 BASE PLATE

E8 TYPE 6 BASE PLATE

E12 SECTION



A1 SECTION

E8 SECTION

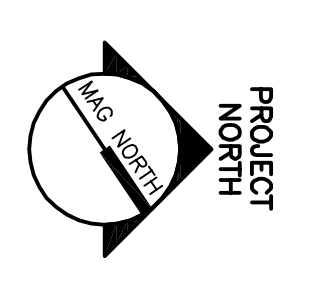
A8 SECTION

A12 SECTION

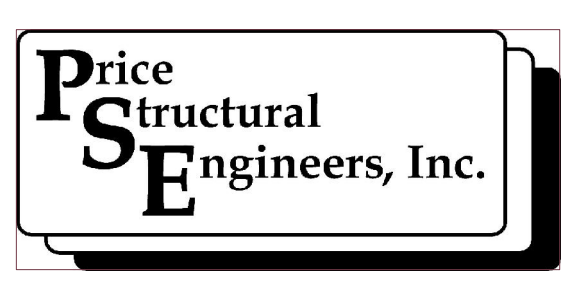
1	1 1/2" = 1'-0"	2	1 1/2" = 1'-0"	3	1" = 1'-0"	4	1" = 1'-0"	5	1" = 1'-0"	6	1" = 1'-0"	7	1" = 1'-0"	8	1" = 1'-0"	9	1" = 1'-0"	10	1" = 1'-0"	11	1" = 1'-0"	12	1" = 1'-0"	13	1" = 1'-0"	14	1" = 1'-0"	15
---	----------------	---	----------------	---	------------	---	------------	---	------------	---	------------	---	------------	---	------------	---	------------	----	------------	----	------------	----	------------	----	------------	----	------------	----

PROJECT TITLE:
**MAINE TURNPIKE AUTHORITY
ADMINISTRATION BUILDING**
PORTLAND, MAINE

**ISSUED FOR BIDDING / CONSTRUCTION
7-9-07**



PROJECT
NORTH



GRAPHIC SCALE:
0" = 1"

0	BIDDING/CONSTRUCTION	7-9-07
REV	DESCRIPTION	DATE

SCALE: AS NOTED
PROJECT MANAGER: SLB
JC/BRAMBY BY: TOM/TDP
A/E OF RECORD: DAP
CAD FILE: MTA/SS.6/116-06
PROJECT NO.: 08016
DATE: 7-9-07

SHEET TITLE:
**STEEL FRAMING
SECTIONS
& DETAILS**

SHEET No. **SS.6**

This document
does not
supercede
stamped
structural
document.