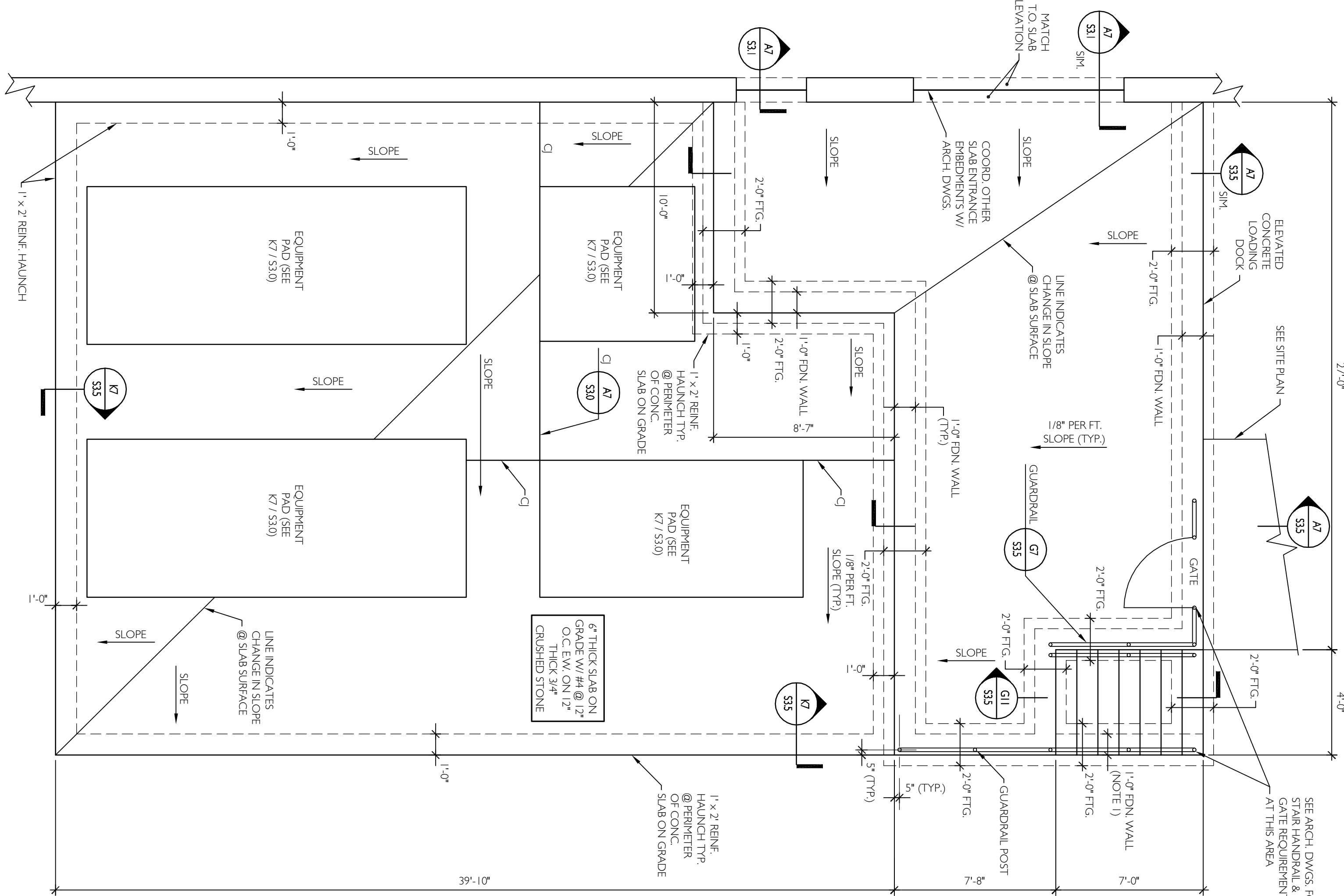


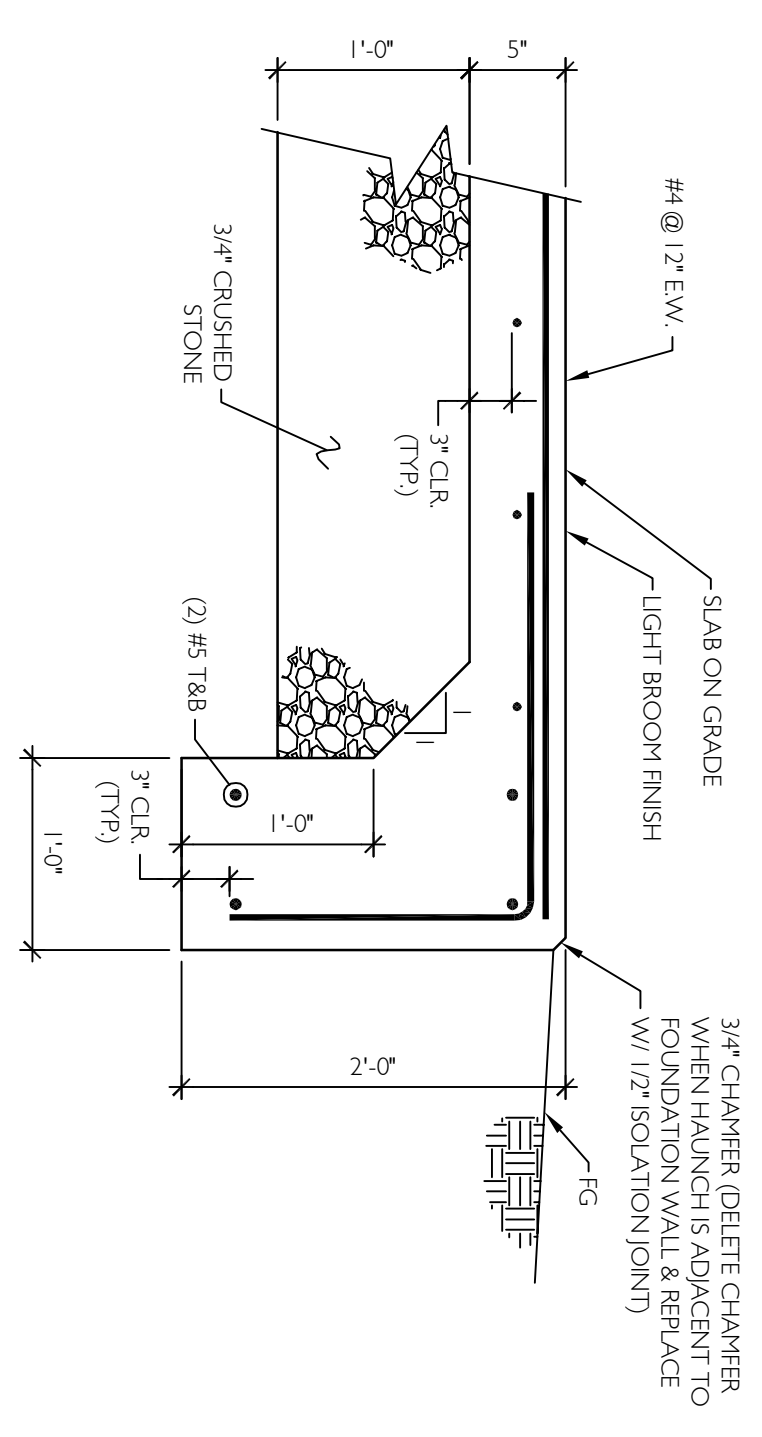
PROJECT  
NORTH



- NOTES**
1. Slab shall bear on foundation wall at east side (extend #4 dowels with hooks at 12" on center into stair treads).
  2. Contractor shall submit Equipment Pad Layout Plan for review and approval by Architect indicating equipment pad dimensions, locations, and borders prior to constructing equipment pads.

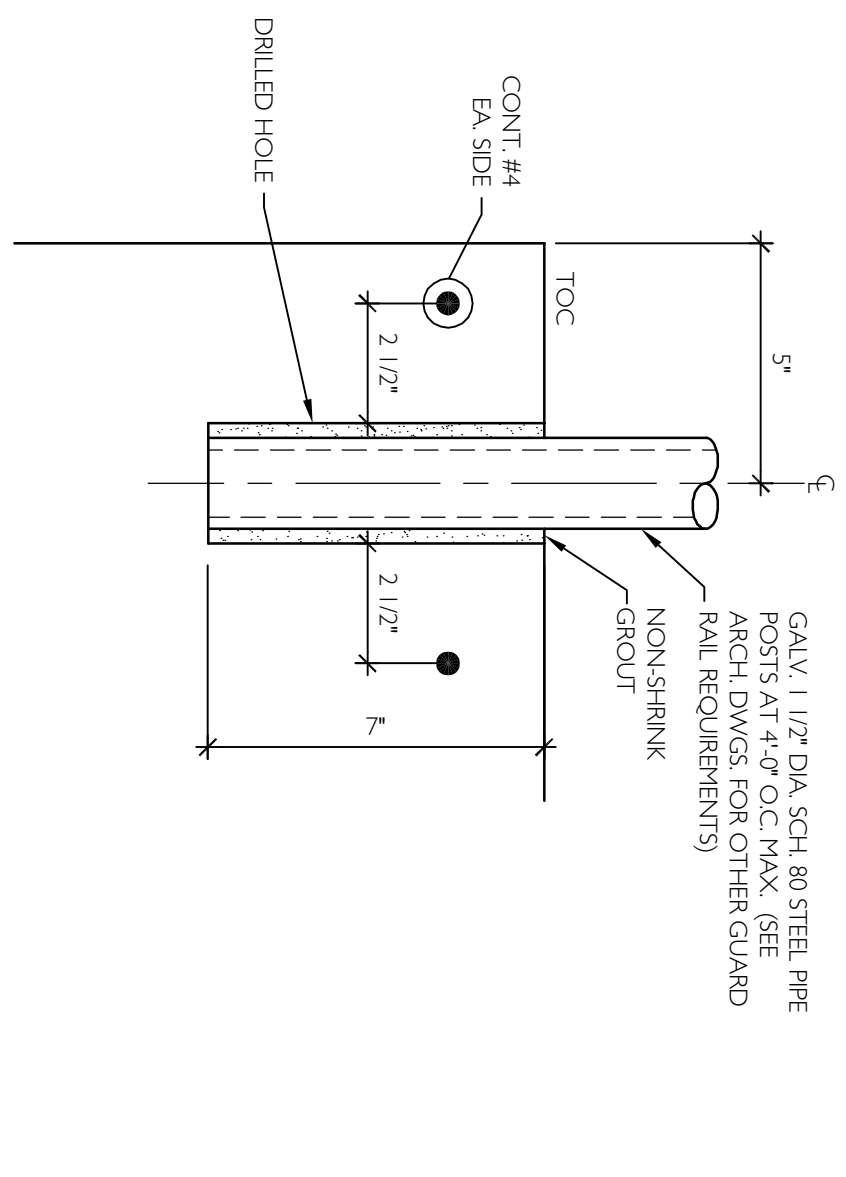
A1 **LOADING DOCK PLAN**

1/4" = 1'-0"



K7 **SECTION**

NOT TO SCALE

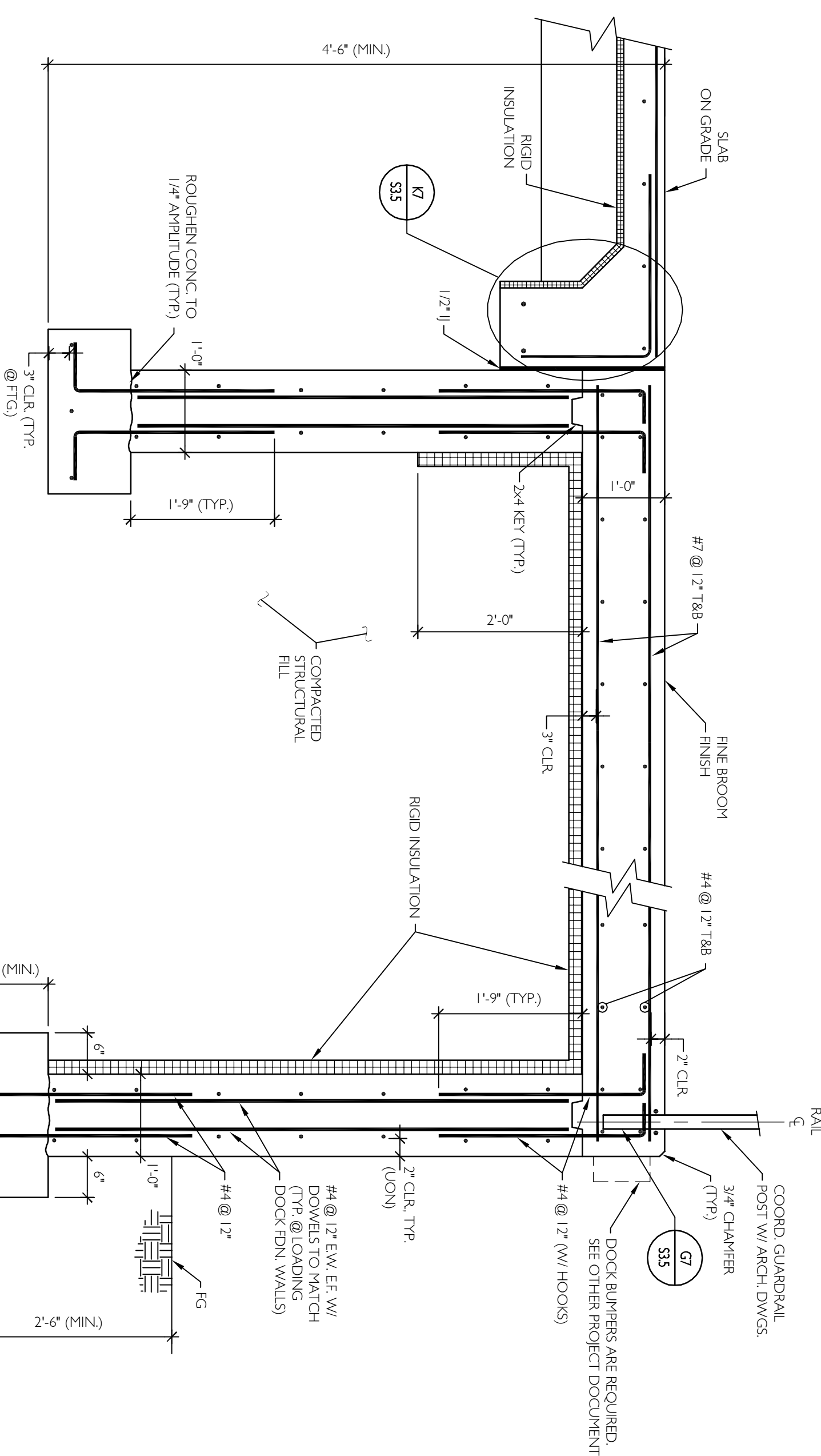


G7 **GUARD RAIL POST DETAIL**

NOT TO SCALE

G11 **SECTION**

NOT TO SCALE



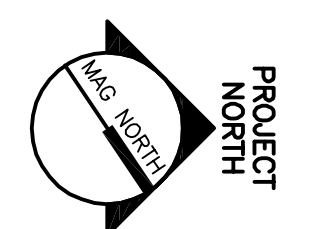
A7 **ENTRANCE PIER DETAIL**

NOT TO SCALE



Price  
Structural  
Engineers, Inc.

This document does not supersede stamped structural document.



PROJECT  
NORTH

PROJECT TITLE:  
**MAINE TURNPIKE AUTHORITY  
ADMINISTRATION BUILDING**  
PORTLAND, MAINE

**ISSUED FOR BIDDING / CONSTRUCTION  
7-9-07**

REV	DESCRIPTION	DATE
0	BIDDING/CONSTRUCTION	7-9-07
1	CONSTRUCTION	

GRAPHIC SCALE:  
0' 1'

SCALE: AS NOTED

PROJECT MANAGER: SLB

JC/DRAWN BY: TOM/TDP

A/E OF RECORD: DAP

CAD FILE: MIA/S3.5/116-06

PROJECT NO.: 06016

DATE: 7-9-07

SHEET TITLE:  
**FOUNDATION  
SECTIONS  
& DETAILS**

SHEET NO.: **S3.5**