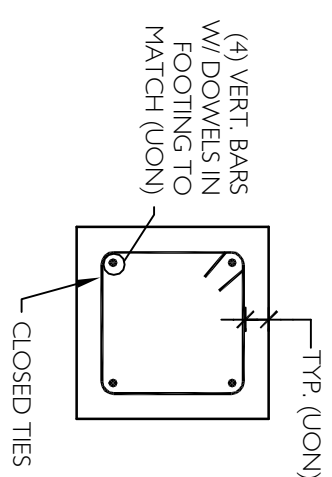


NOTES:
1. Contractor's cold form engineer shall design and stamp the one-story steel storage shed in accordance with structural loads and additional cold form requirements.

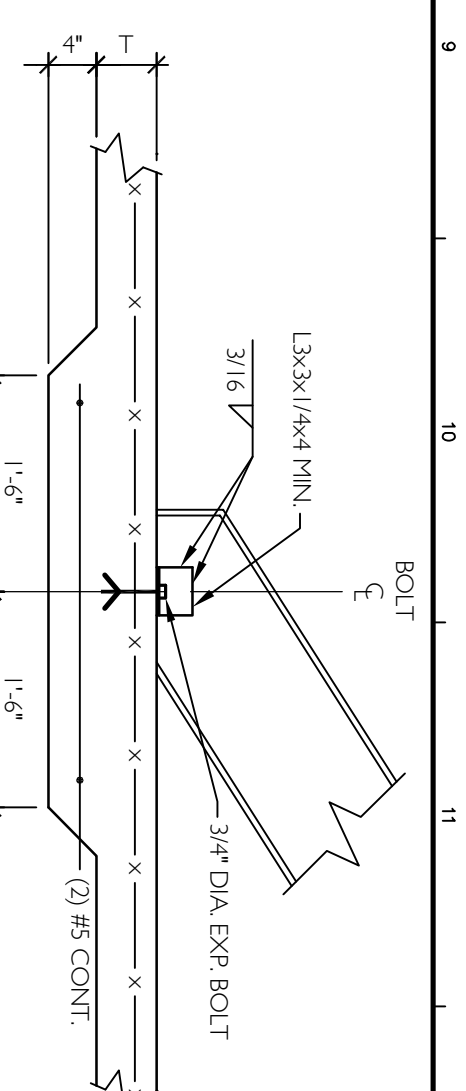
L1 STORAGE SHED PLAN

NOT TO SCALE



L6 SECTION

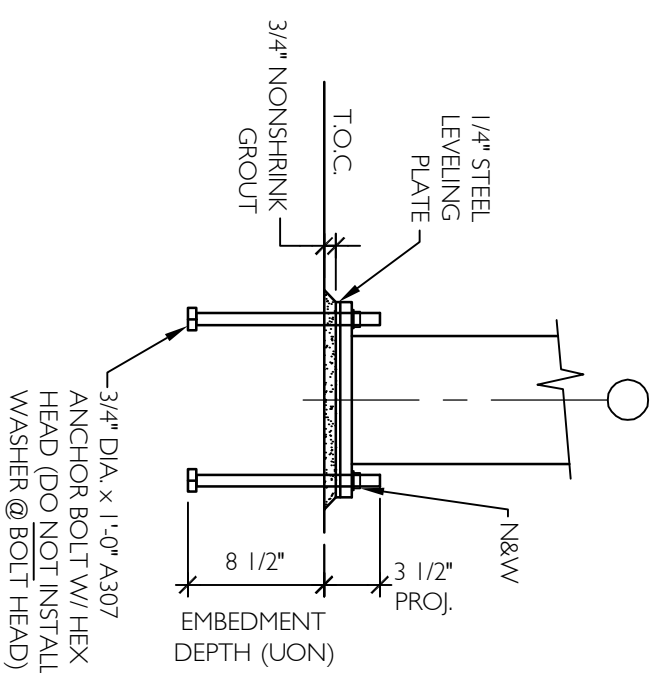
NOT TO SCALE



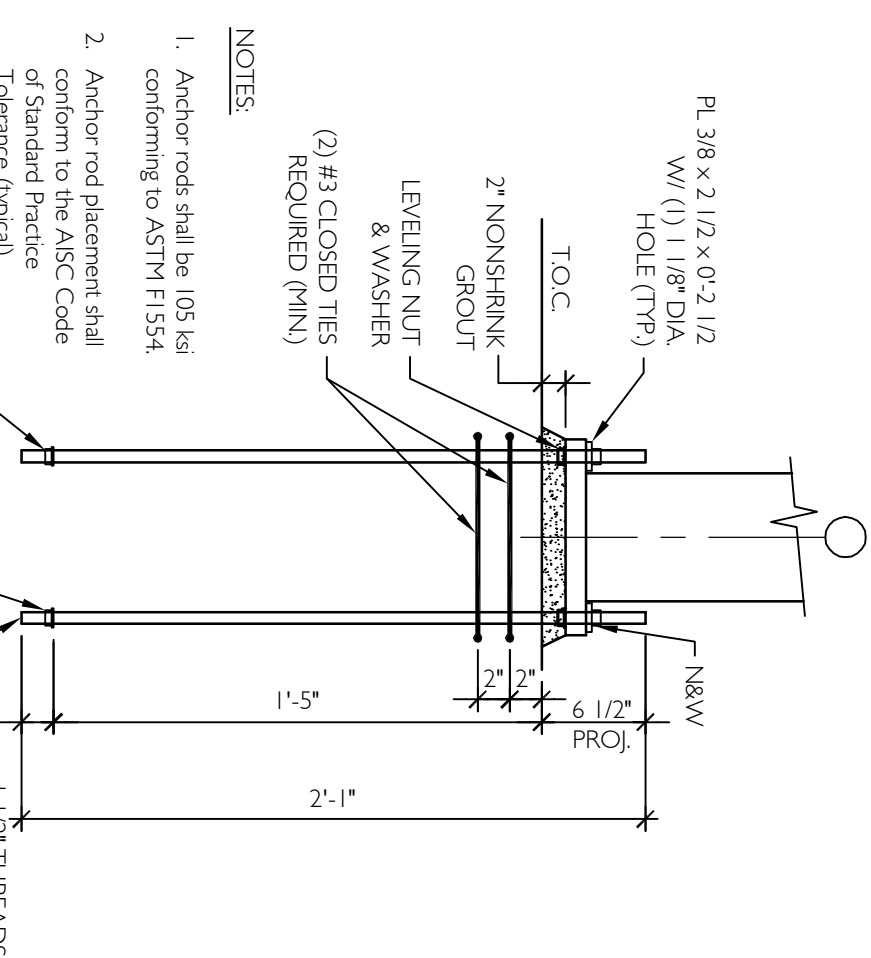
L9 SECTION

TYP. STRINGER TO SLAB CONN.

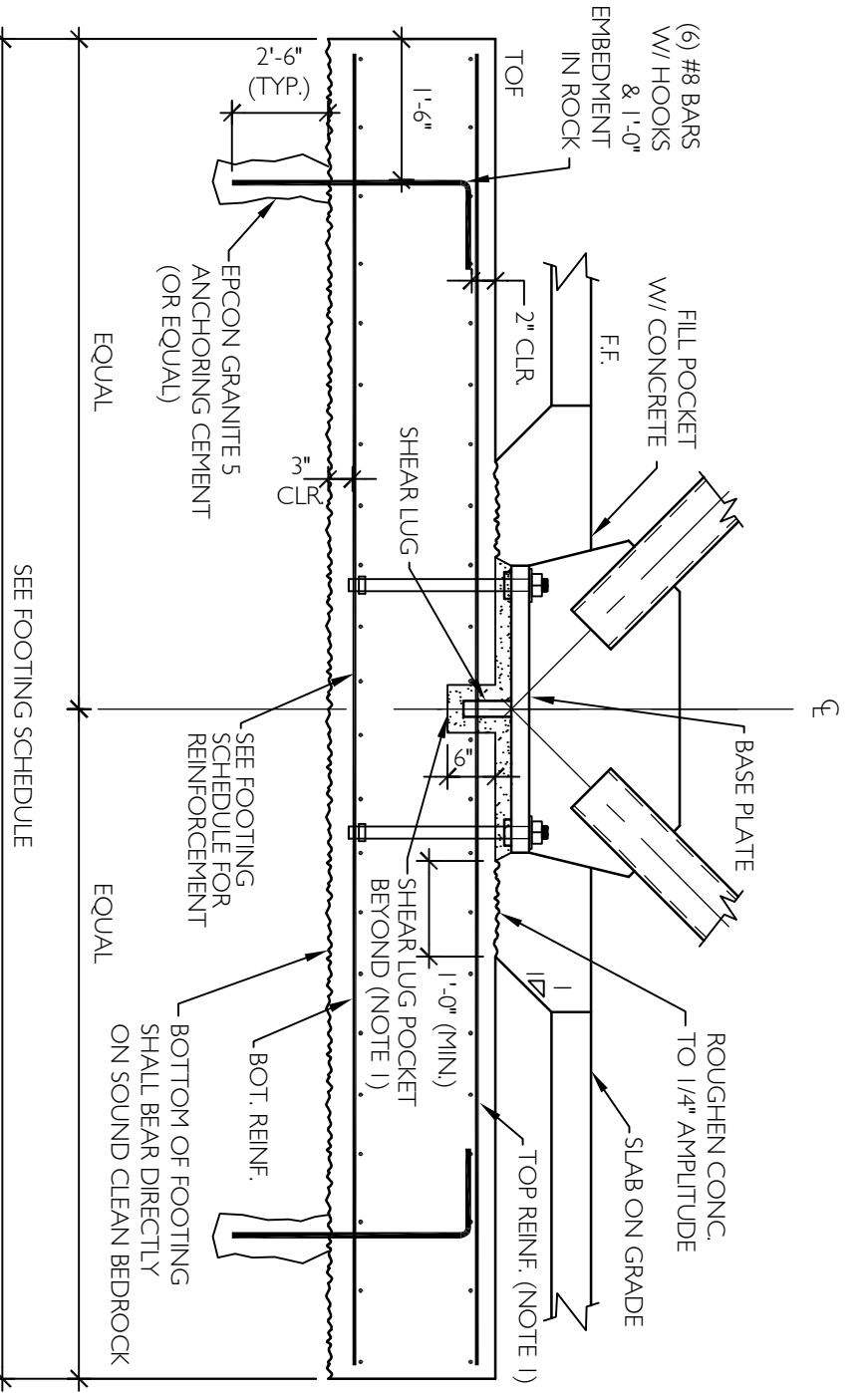
NOT TO SCALE



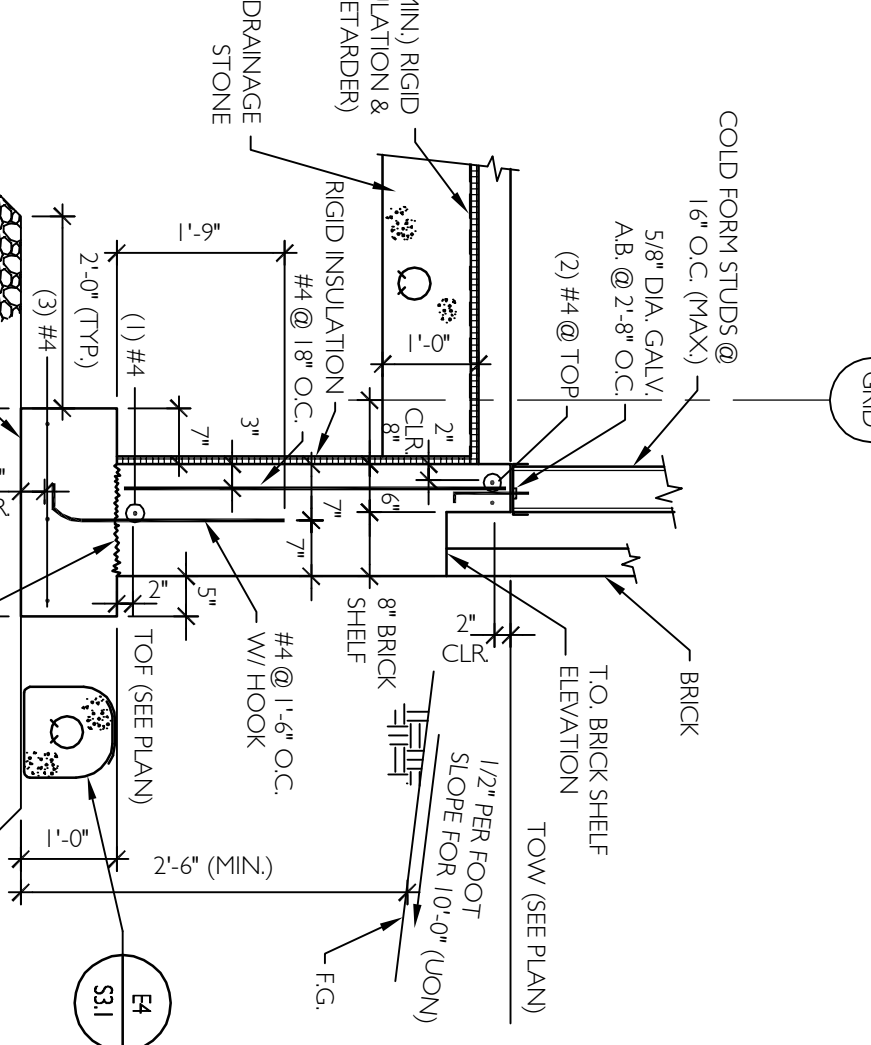
NOTES:
1. Anchor rods shall be 105 lbs conforming to ASTM F1554, 2. Anchor rod placement shall conform to the ASC Code Tolerance (typical).



NOTES:
1. Anchor rods shall be 105 lbs conforming to ASTM F1554, 2. Anchor rod placement shall conform to the ASC Code Tolerance (typical).



NOTES:
1. Bars shall not extend through pocket. Use double bars at each side of pocket. 2. See other details for base plate and field welding requirements.



NOTES:
1. Coordinate size and location of slab surface shall be clean. 2. Equipment shall be placed on concrete pad.

G1 TYPE 1 A.B.

G3 -

G6 TYPE 2 ANCHOR BOLT

G9 SECTION

G12 SECTION

NOT TO SCALE

NOT TO SCALE

NOT TO SCALE

NOT TO SCALE

NOT TO SCALE

NOT TO SCALE

NOT TO SCALE

NOT TO SCALE

NOT TO SCALE

NOT TO SCALE

NOT TO SCALE

NOT TO SCALE

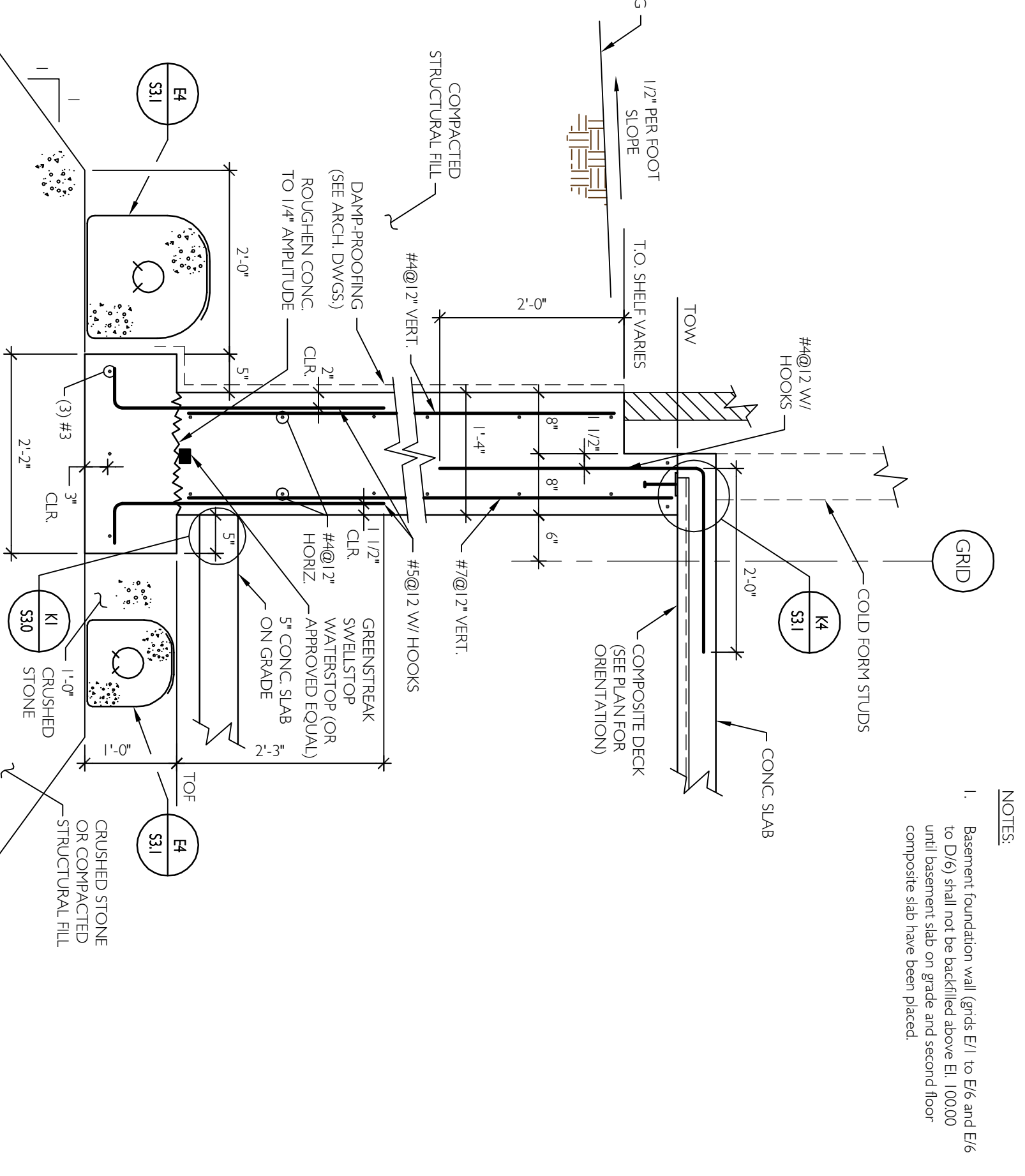
NOT TO SCALE

NOT TO SCALE

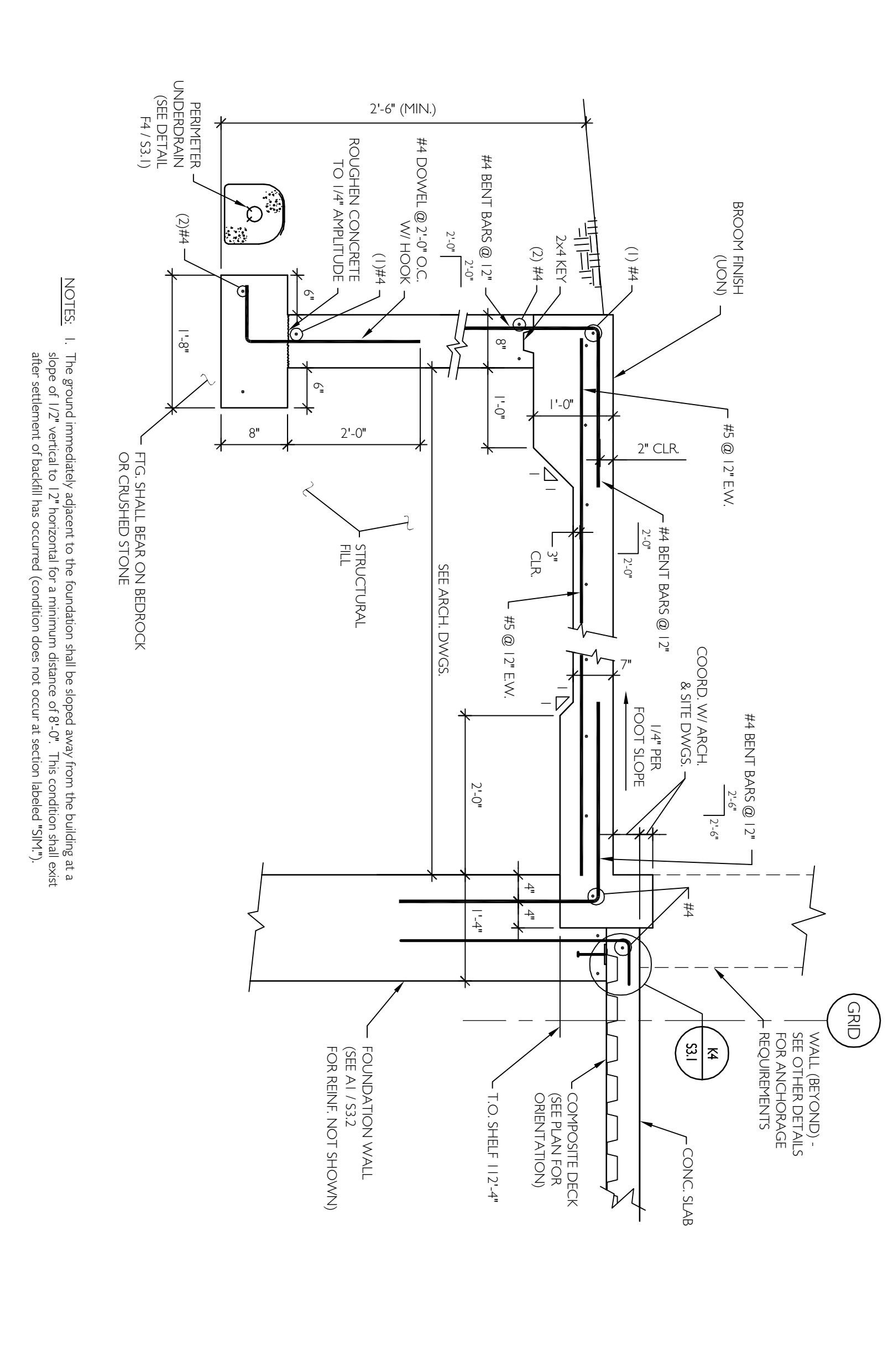
NOT TO SCALE

NOT TO SCALE

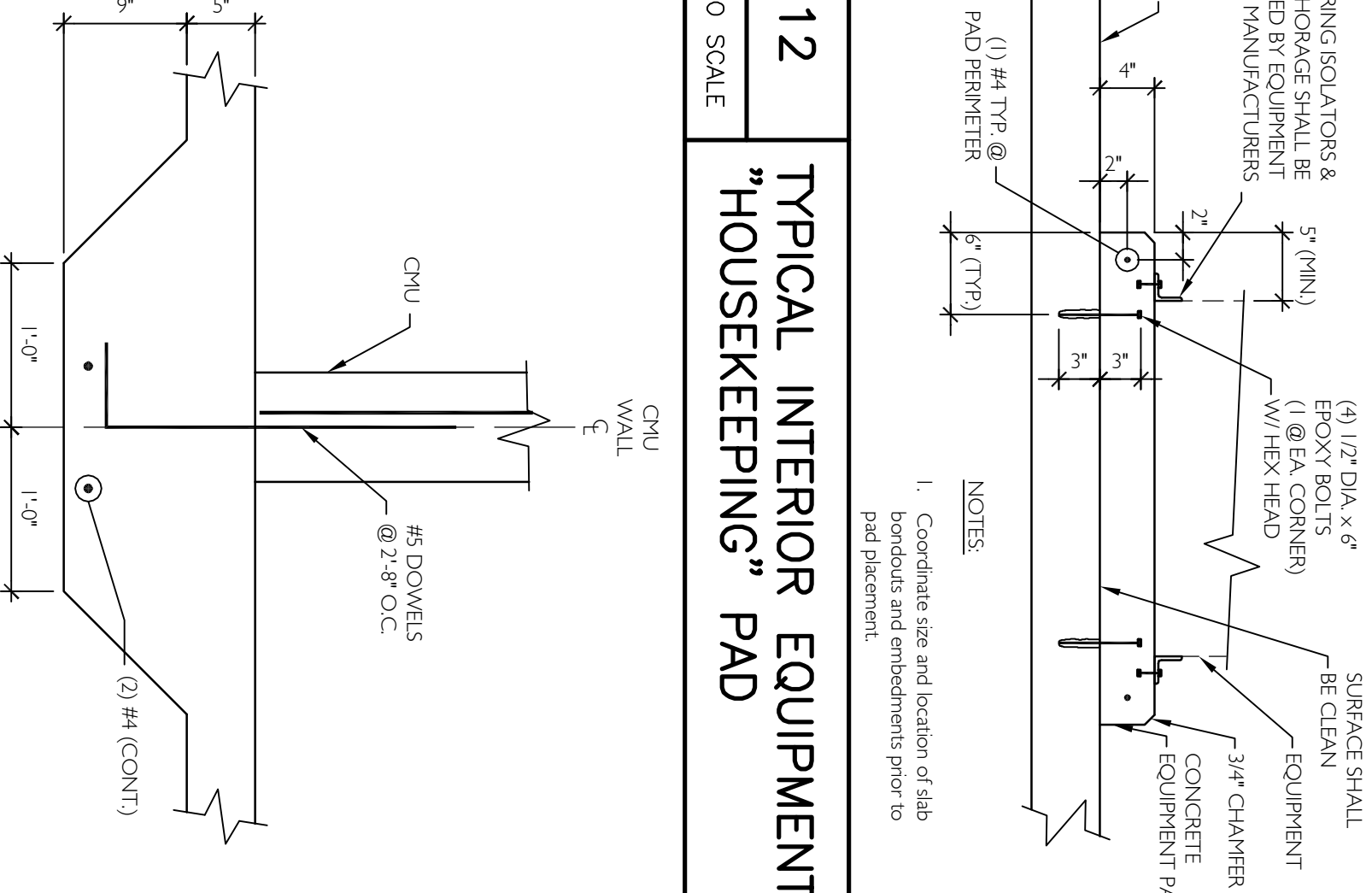
NOT TO SCALE



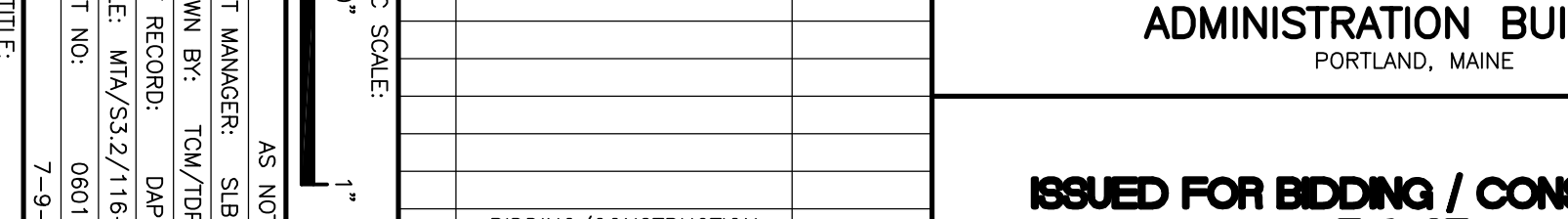
NOTES:
1. Basement foundation wall (Grids E11 to E16 and E16 to D10) shall not be less than 16" thick. Second floor composite slabs have been placed.



NOTES:
1. The ground immediately adjacent to the foundation shall be sloped away from the building at a slope of 1/2" vertical to 12" horizontal for a minimum distance of 8'-0". This condition shall exist after settlement of backfill has occurred (condition does not occur at section labeled 'SM').



NOTES:
1. Coordinate size and location of slab surface shall be clean. 2. Equipment shall be placed on concrete pad.



NOTES:
1. Coordinate size and location of slab surface shall be clean. 2. Equipment shall be placed on concrete pad.

A1	SECTION	A6	SECTION	A12	TYPICAL DETAIL
NOT TO SCALE		NOT TO SCALE		NOT TO SCALE	

SMRT
Price Structural Engineers, Inc.

This document does not supersede stamped structural document

PROJECT NORTH

MAINE TURNPIKE AUTHORITY
ADMINISTRATION BUILDING
PORTLAND, MAINE

ISSUED FOR BIDDING / CONSTRUCTION
7-9-07

PROJECT TITLE:
FOUNDATION SECTIONS & DETAILS

SHEET NO. S3.2

SCALE:	AS NOTED
PROJECT MANAGER:	SLB
DATE OF RECORD:	DAP
DATE:	7-9-07