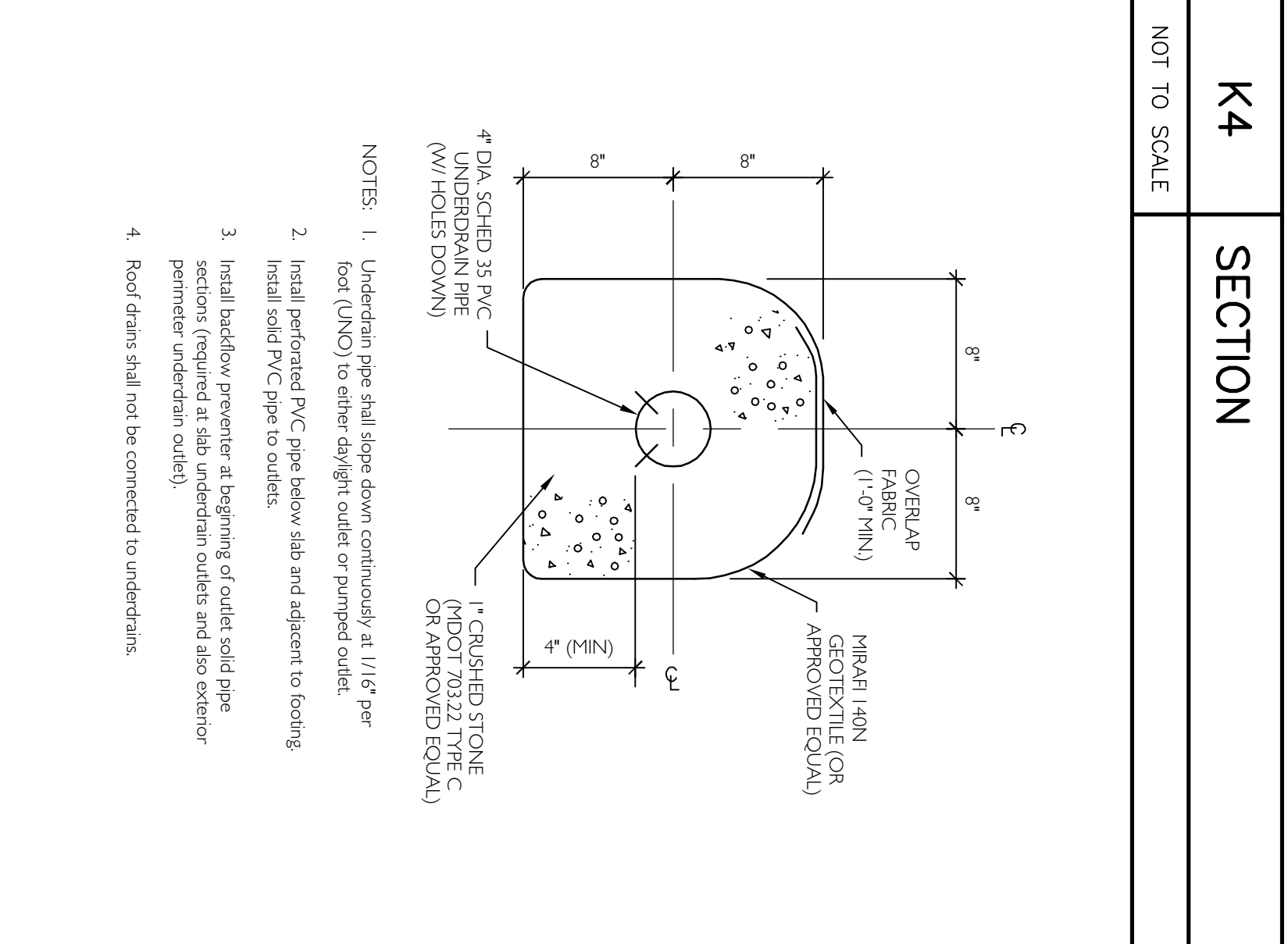


REBAR LAP SPLICE LENGTH SCHEDULE

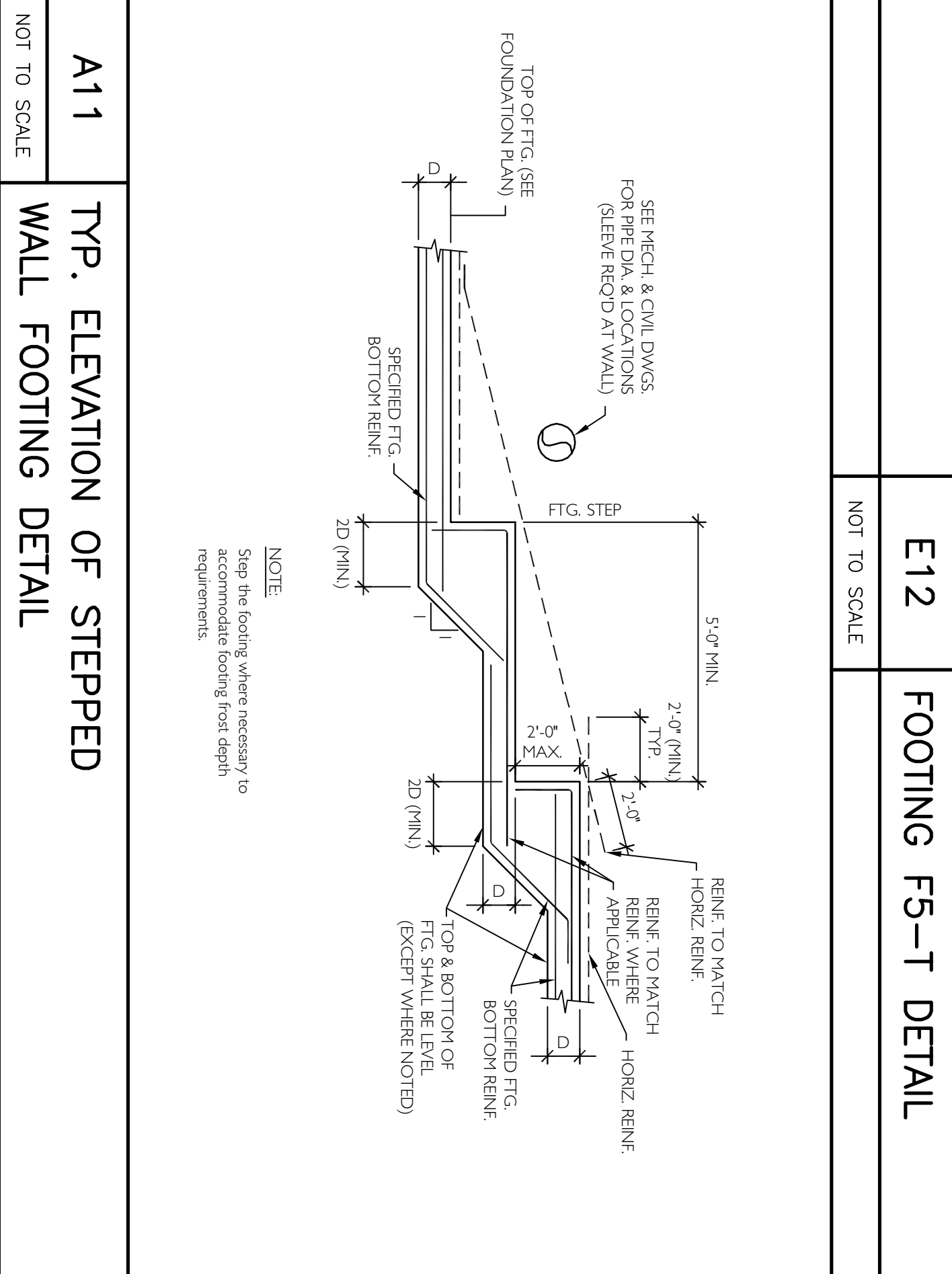
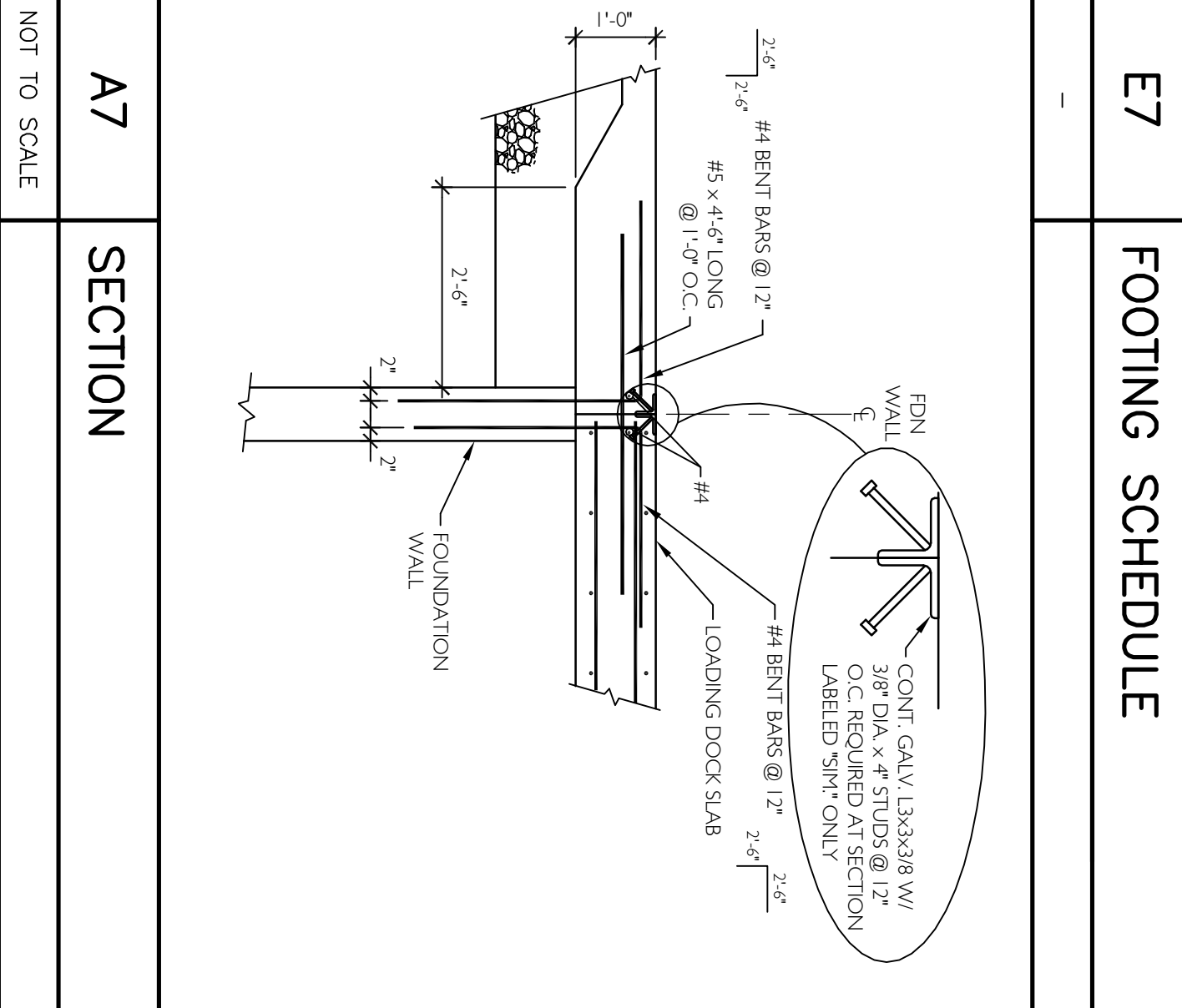
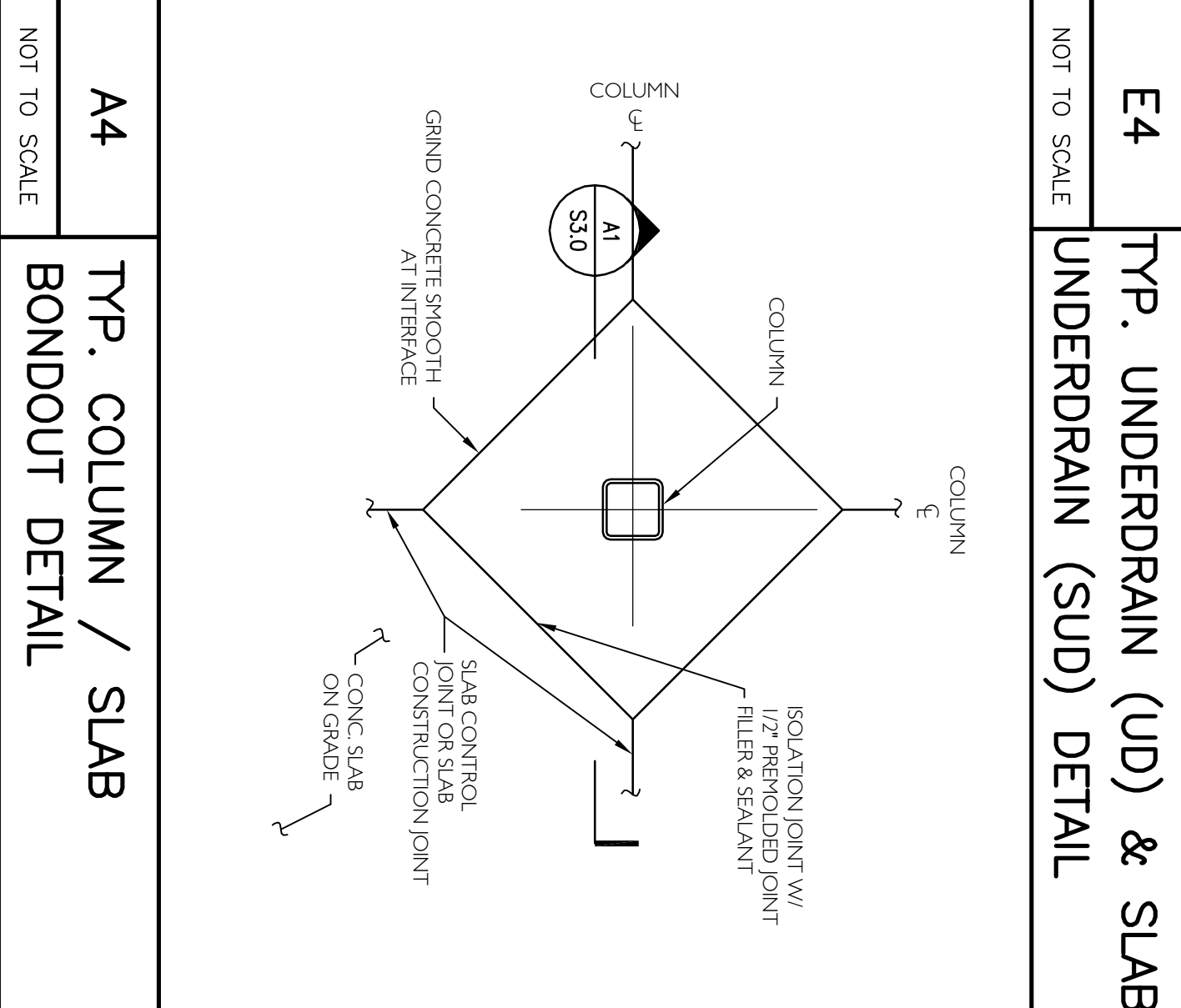
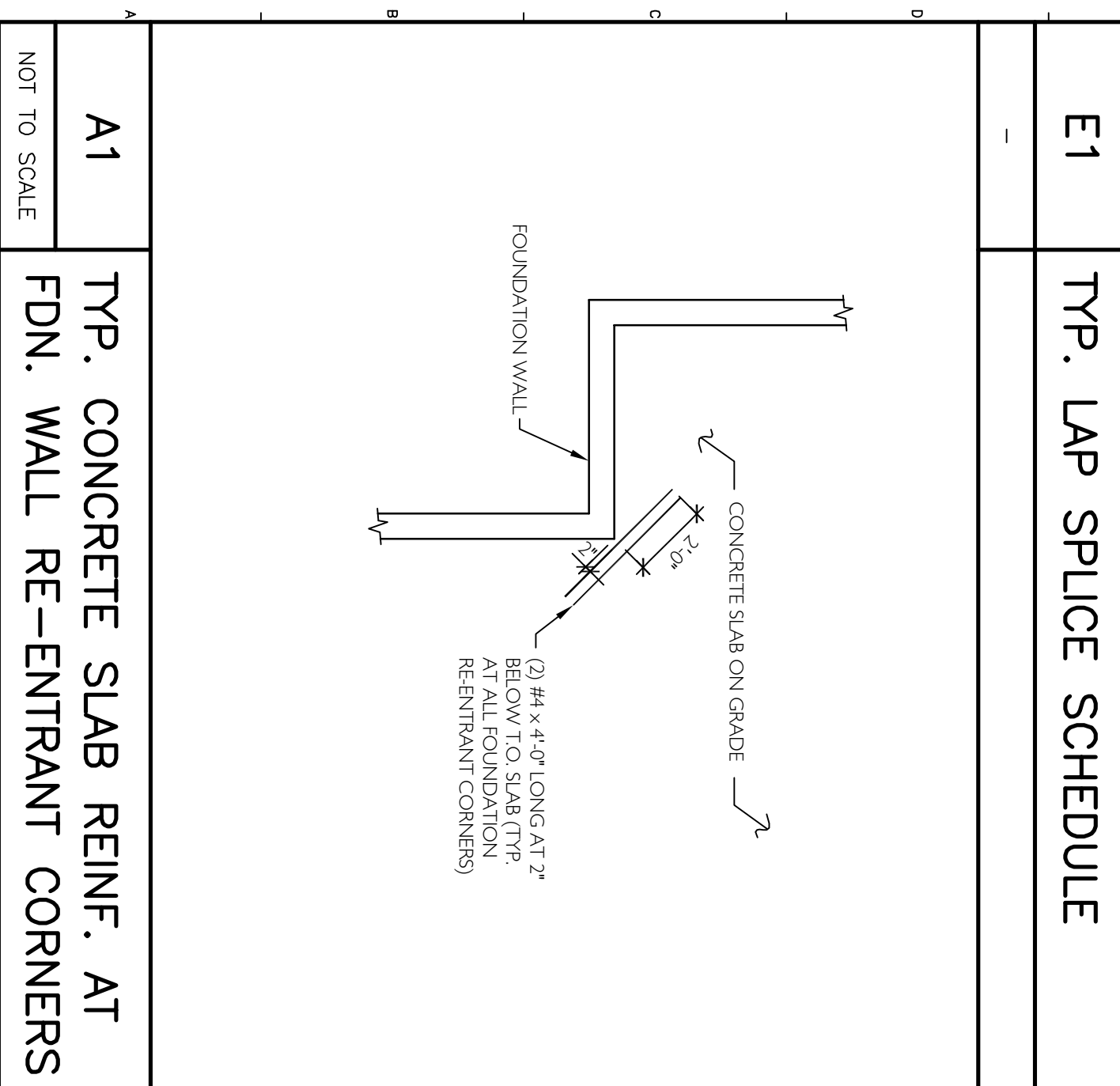
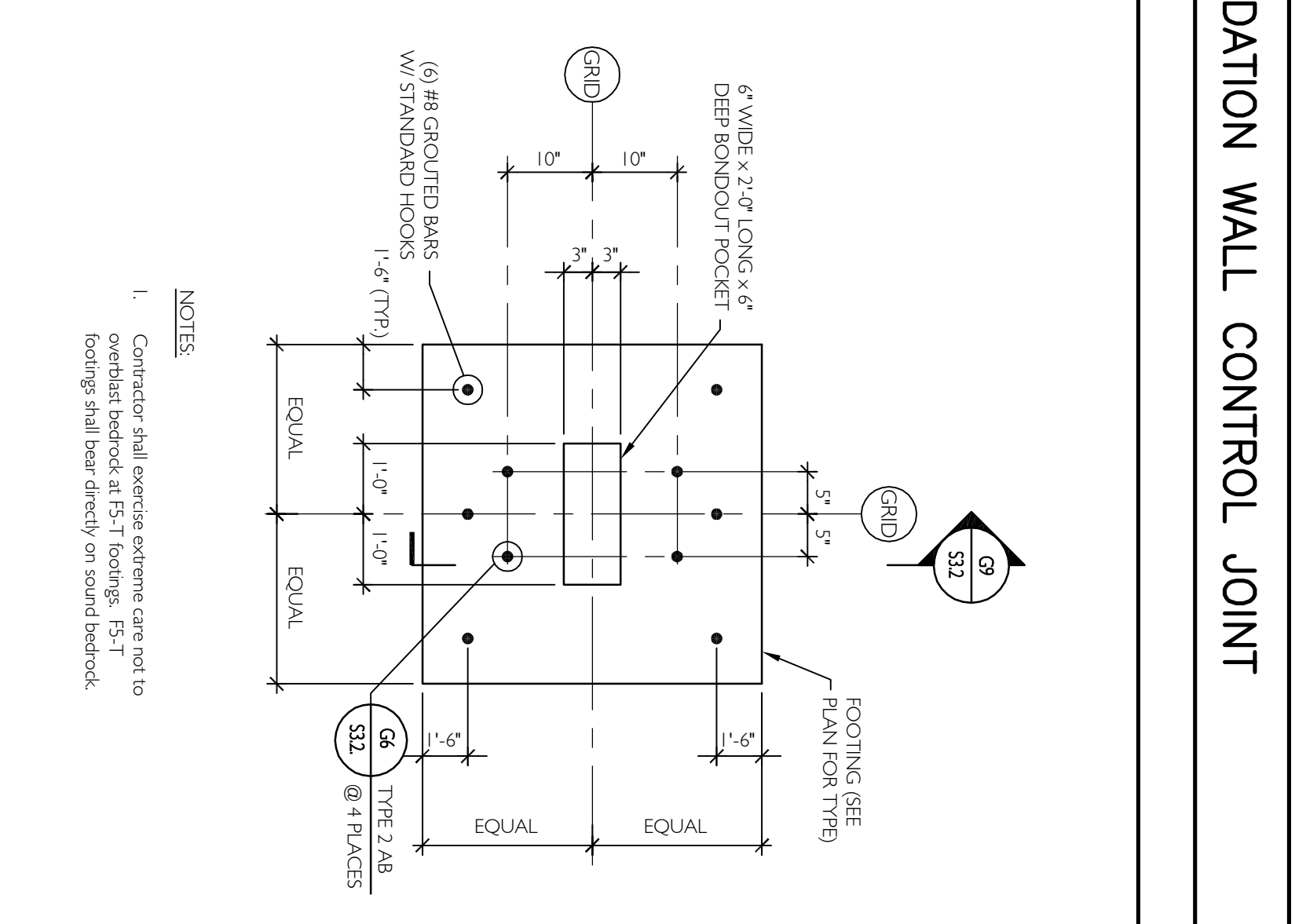
BAR SIZE	3000 PSI CONCRETE	4000 PSI CONCRETE
#3	1'-4"	1'-4"
#4	1-11/16"	1'-7"
#5	2'-3"	2'-10"
#6	2'-8"	2'-4"
#7	3'-2"	2'-9"
#8	3'-7"	3'-11"
#9	4'-0"	3'-6"
#10	4'-10"	4'-2"
#11	6'-0"	5'-2"



FOOTING SCHEDULE

TYPE	LENGTH	WIDTH	THICKNESS	BOTTOM REINFORCEMENT (NOTE 1)	TOP REINFORCEMENT (NOTE 1)
F1	4'-0"	4'-0"	1'-2"	(5) #4 EACH WAY	NONE
F2	5'-0"	5'-0"	1'-4"	(6) #5 EACH WAY	NONE
F3	6'-0"	6'-0"	1'-4"	(7) #5 EACH WAY	NONE
F4	7'-0"	7'-0"	1'-4"	(8) #5 EACH WAY	NONE
F5	8'-0"	8'-0"	1'-9"	(9) #5 EACH WAY	NONE
F5-T	8'-0"	8'-0"	1'-10"	(9) #5 EACH WAY	(9) #4 EACH WAY
F6-T	9'-0"	9'-0"	1'-10"	(11) #6 EACH WAY	#4 @ 12" EW.
F7	10'-0"	10'-0"	1'-10"	(11) #6 EACH WAY	NONE
F8-T	11'-0"	11'-0"	2'-0"	(12) #7 EACH WAY	#4 @ 12" EW.
F9	5'-0"	3'-0"	1'-0"	(5) #4 EACH WAY	NONE

NOTES:
1. Reinforcement shall be spaced uniformly across entire width of spread footing.
2. Spread footings shall be centered below columns, typical (U/N).



PROJECT TITLE:
MAINE TURNPIKE AUTHORITY ADMINISTRATION BUILDING
PORTLAND, MAINE

ISSUED FOR BIDDING / CONSTRUCTION
7-9-07

PROJECT NORTH

Price Structural Engineers, Inc.

SMRT

This document does not supersede stamped structural document

PROJECT MANAGER: SLB
SCALE: AS NOTED
DATE: 7-9-07
PROJECT NO.: 08016
PROJECT TITLE: FOUNDATION SECTIONS & DETAILS
SHEET NO.: S3.1

REV	DESCRIPTION	DATE
0	BIDDING/CONSTRUCTION	7-9-07