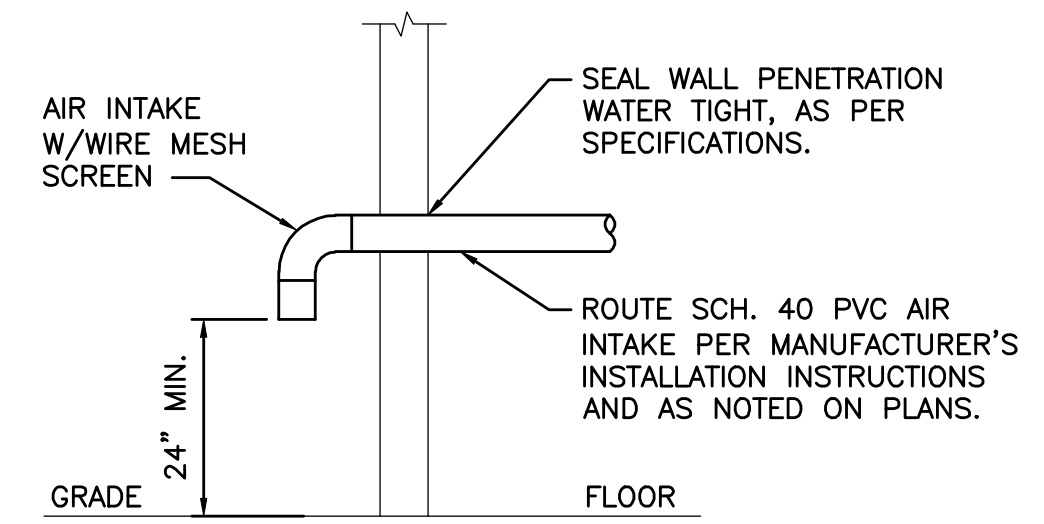
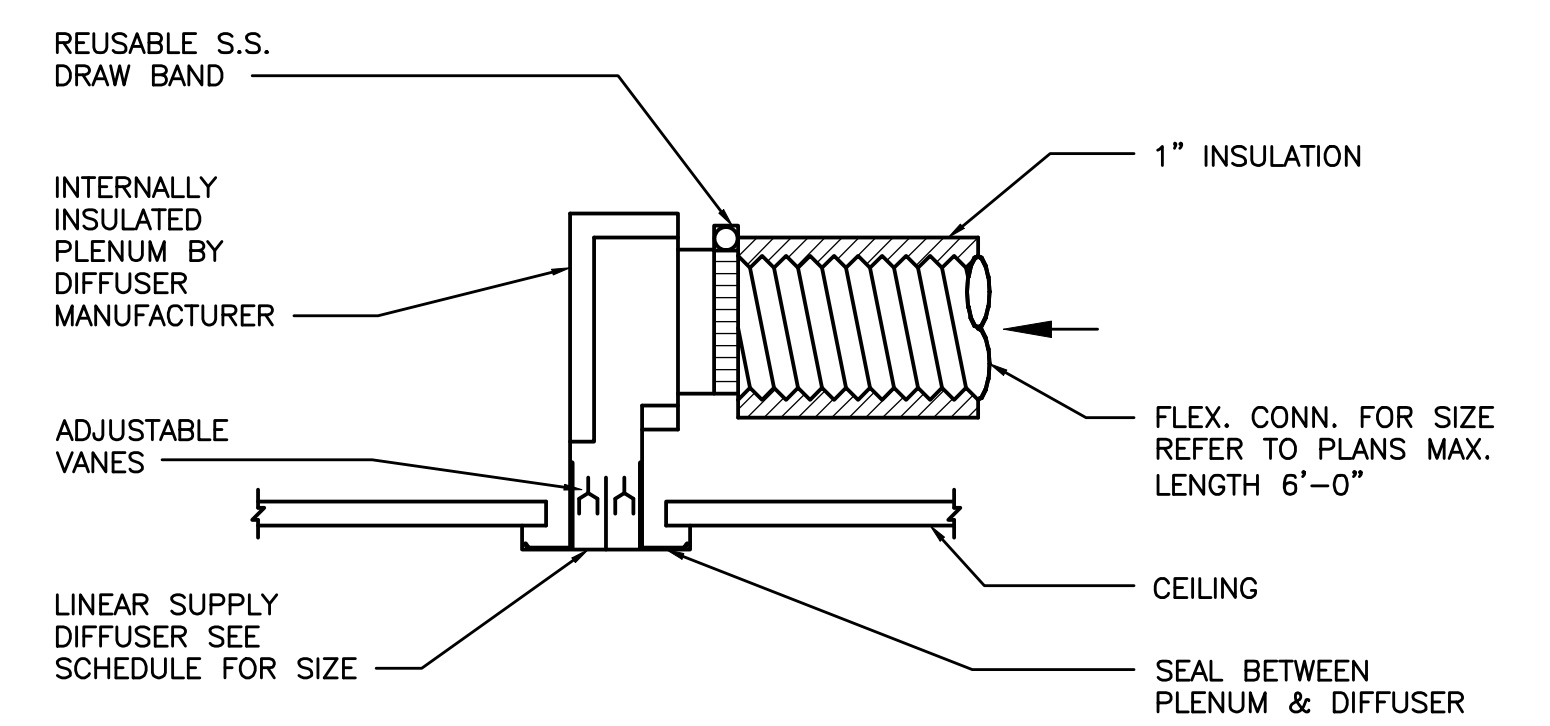


NOTE:
THIS DETAIL APPLIES ONLY FOR SEPARATE POUR
CONTROL JOINTS. DO NOT USE FOR SAW CUT JOINTS.

K8 SLAB CONTROL JOINT DETAIL
NOT TO SCALE

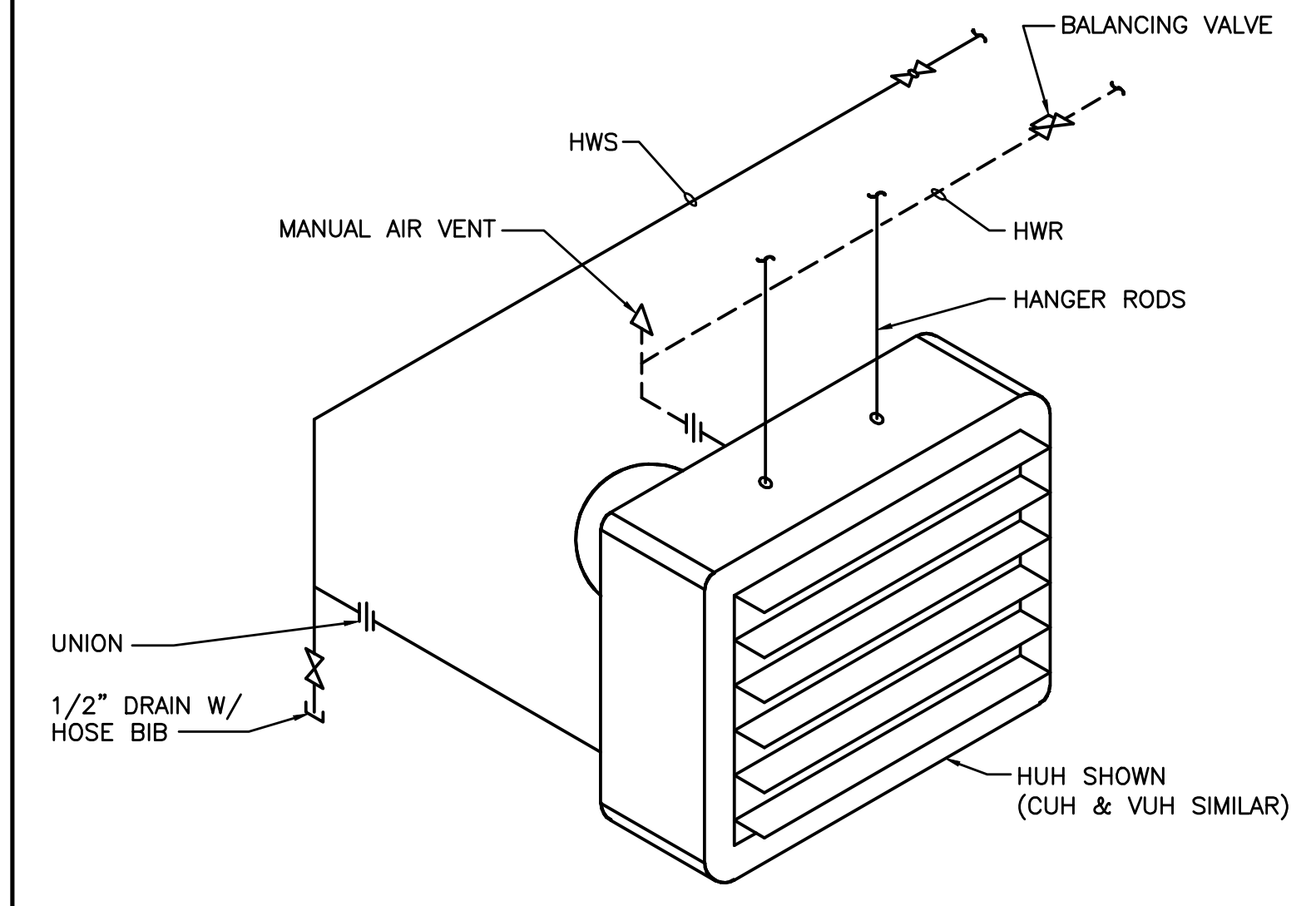


L12 AIR INTAKE PENETRATION DETAIL
NOT TO SCALE

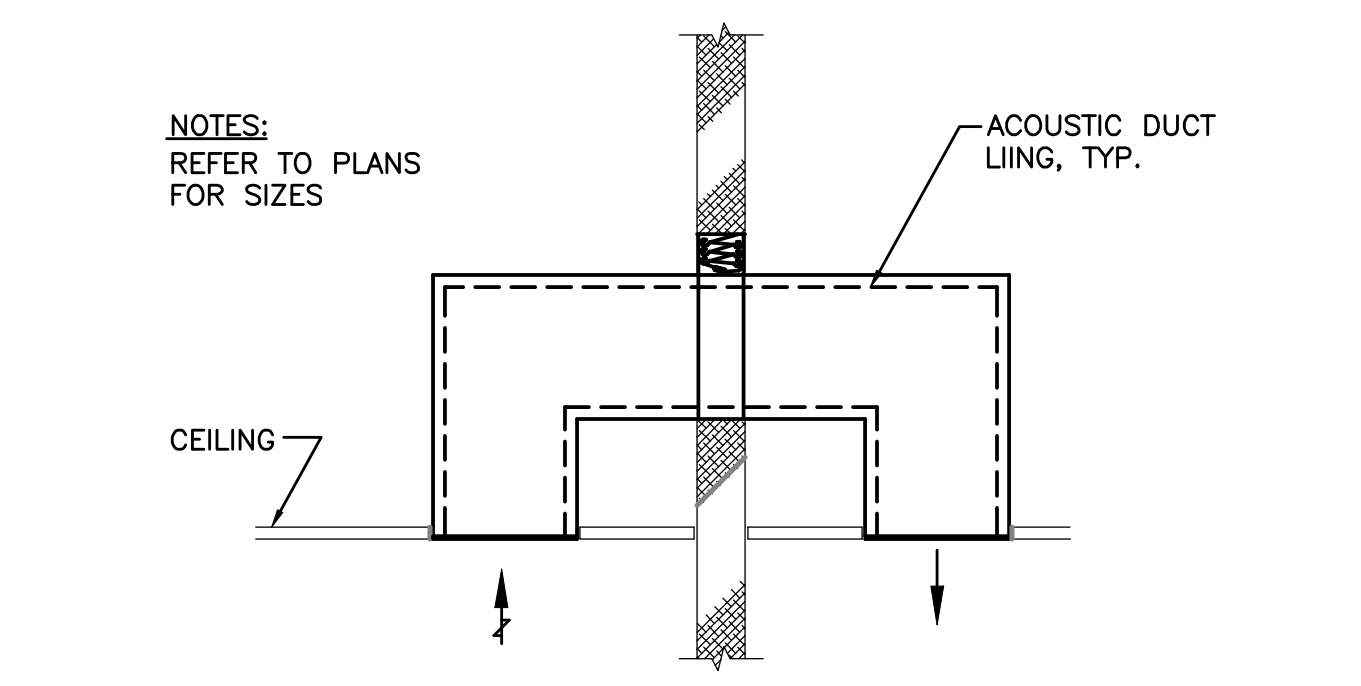


NOTES:
1. OFFSETS W/ FLEX DUCT SHALL NOT EXCEED 30"
& SHALL BE GRADUAL. OFFSETS IN EXCESS OF 30"
SHALL BE HARD DUCTED.
2. FLEX DUCT SHALL NOT HAVE MORE THAN 1/3"
SAG/FT.
3. FOR PLENUM LENGTH REFER TO PLANS.

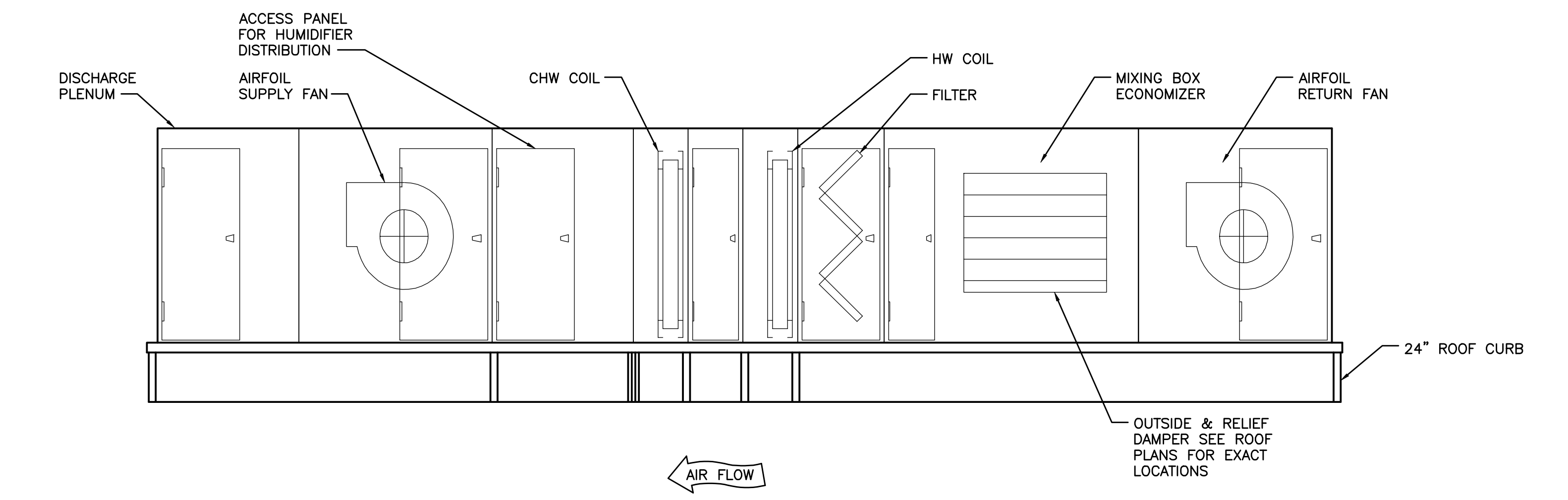
E3 TYPICAL LINEAR DIFFUSER
NOT TO SCALE



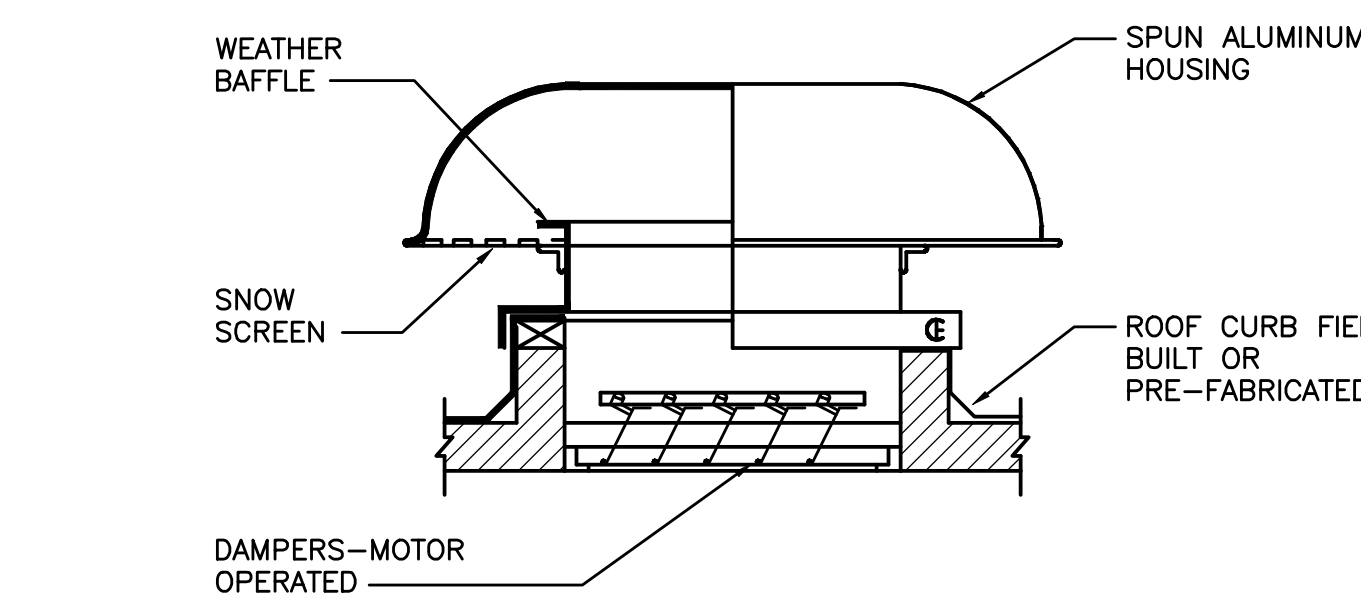
E8 UNIT HEATER PIPING SCHEMATIC
NOT TO SCALE



E12 TRANSFER DUCT
NOT TO SCALE



A3 RTU ELEVATION (TYPICAL) 1, 2 & 3
NOT TO SCALE



A12 GRAVITY ROOF VENT
NOT TO SCALE

REV	DESCRIPTION	DATE
0	BIDDING/CONSTRUCTION	7-9-07