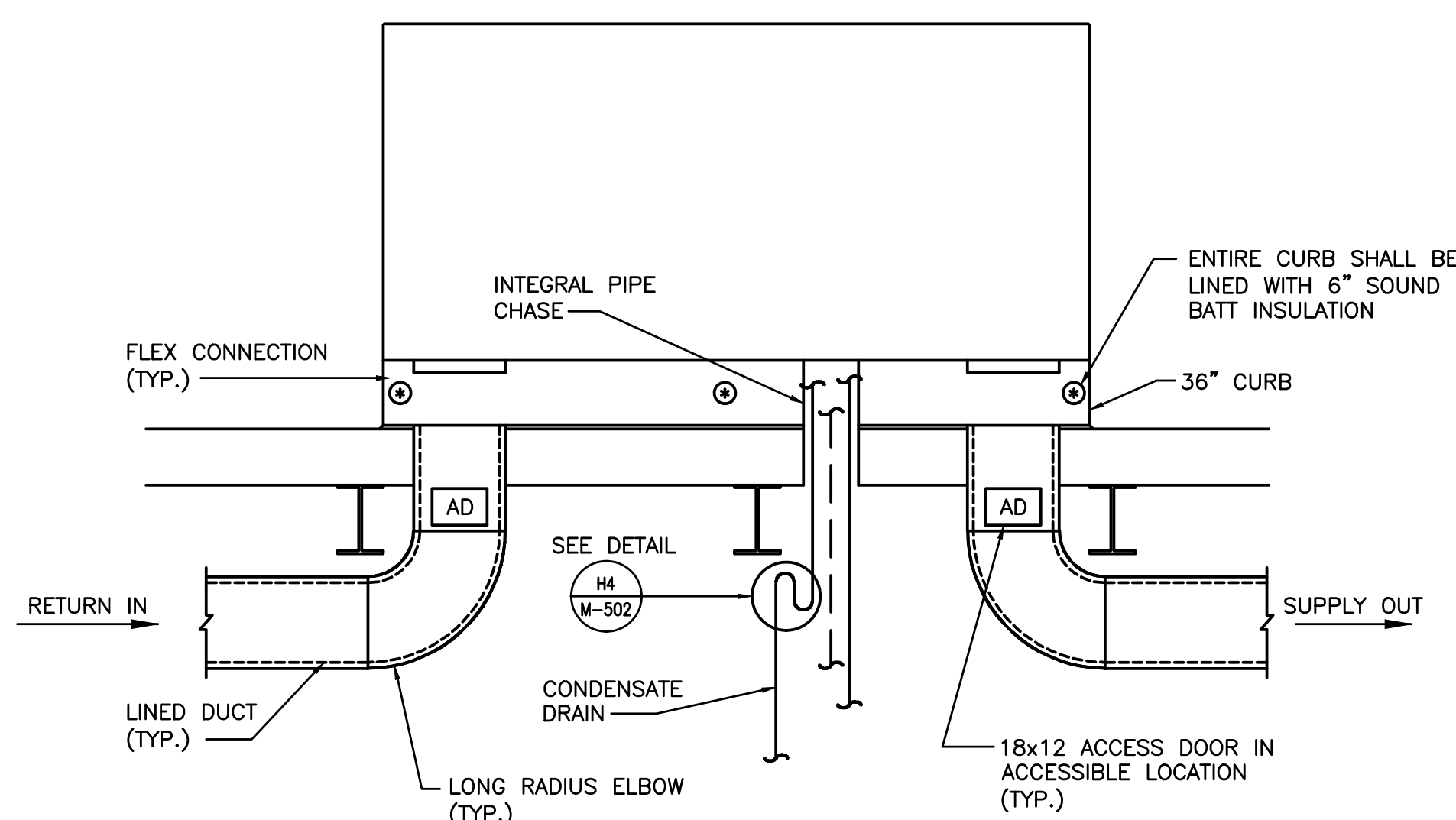


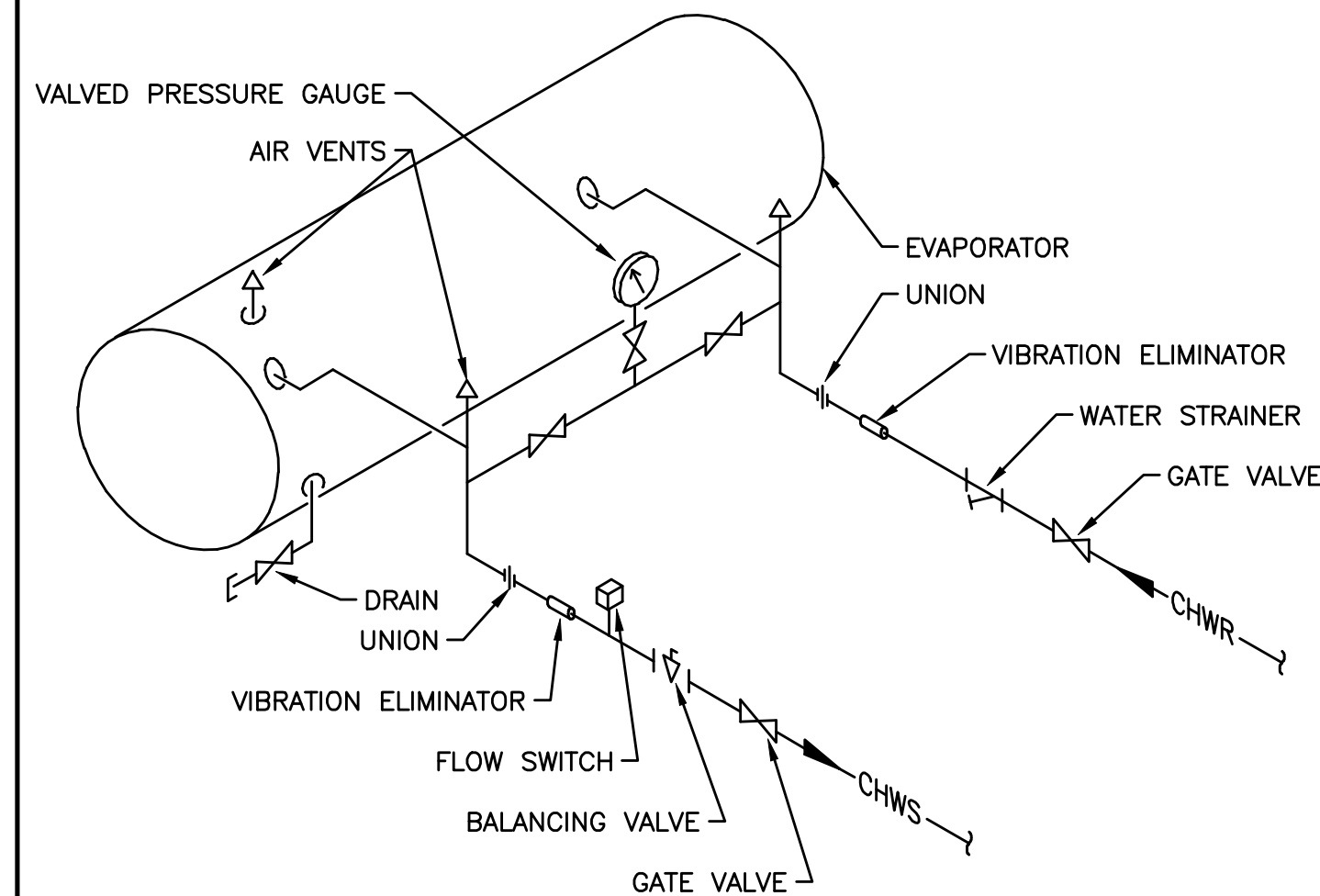
**K4** AUTOMATIC AIR VENT ASSEMBLY

NOT TO SCALE



**H7** SECTION THRU TYPICAL ROOFTOP RTU

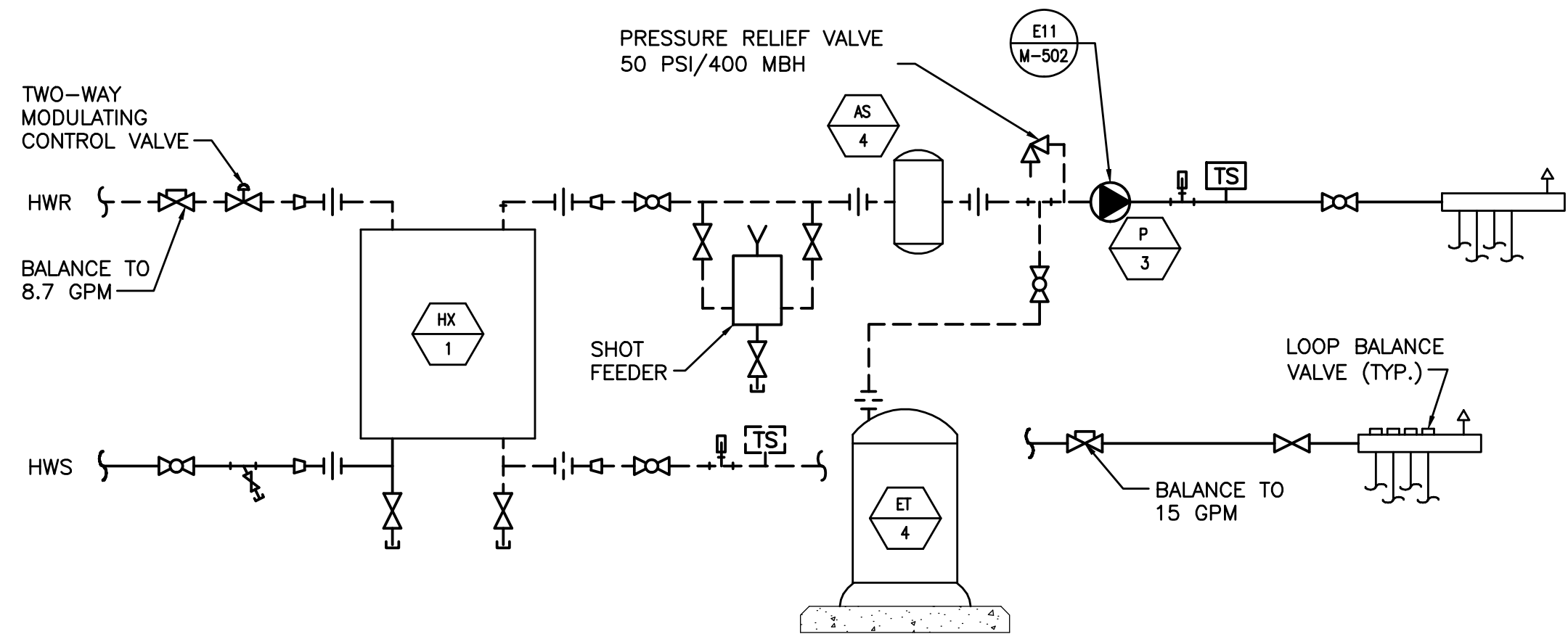
NOT TO SCALE



**H12** CHILLER PIPING SCHEMATIC

NOT TO SCALE

TYP. FOR AIR COOLED

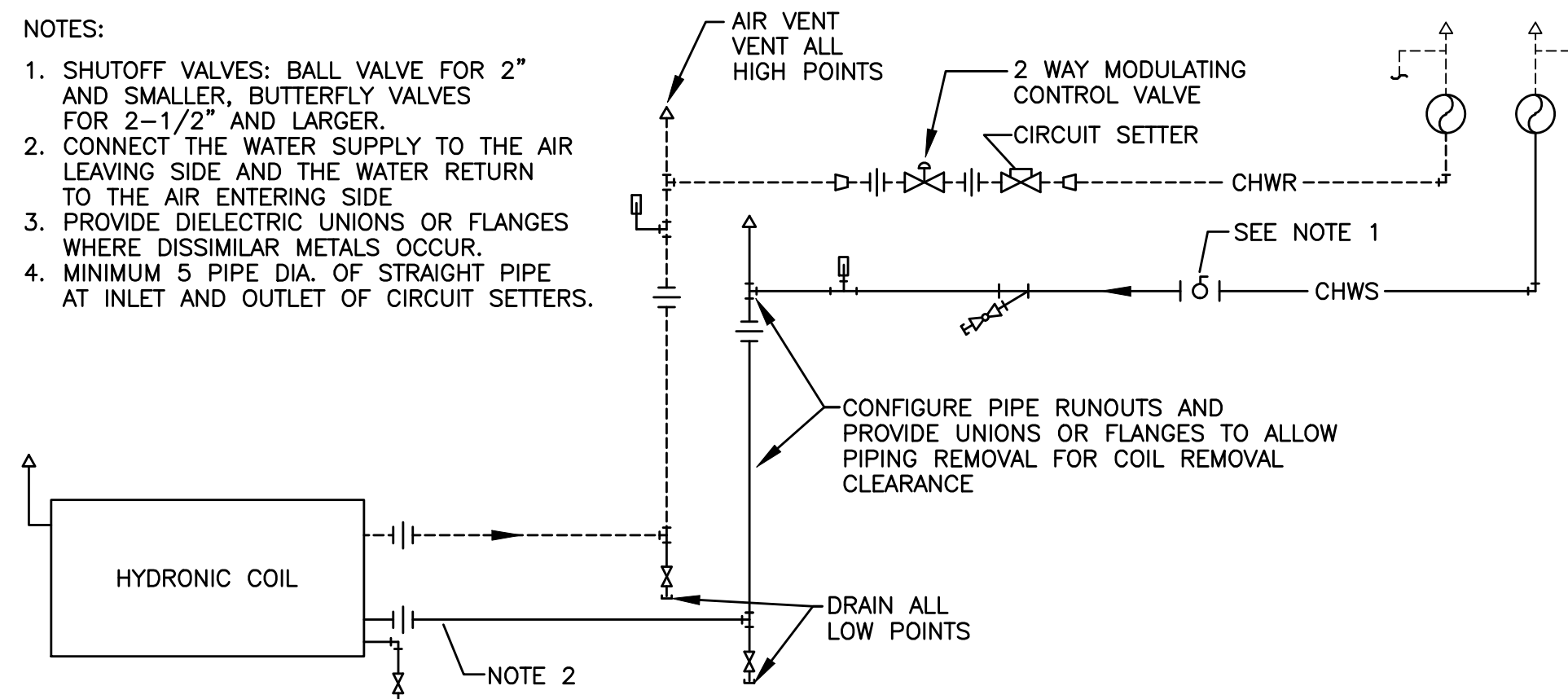


**E1** SNOW MELTING SYSTEM SCHEMATIC

NOT TO SCALE

NOTES:

1. SHUTOFF VALVES: BALL VALVE FOR 2" AND SMALLER, BUTTERFLY VALVES FOR 2-1/2" AND LARGER.
2. CONNECT THE WATER SUPPLY TO THE AIR LEAVING SIDE AND THE WATER RETURN TO THE AIR ENTERING SIDE
3. PROVIDE DIELECTRIC UNIONS OR FLANGES WHERE DISSIMILAR METALS OCCUR.
4. MINIMUM 5 PIPE DIA. OF STRAIGHT PIPE AT INLET AND OUTLET OF CIRCUIT SETTERS.

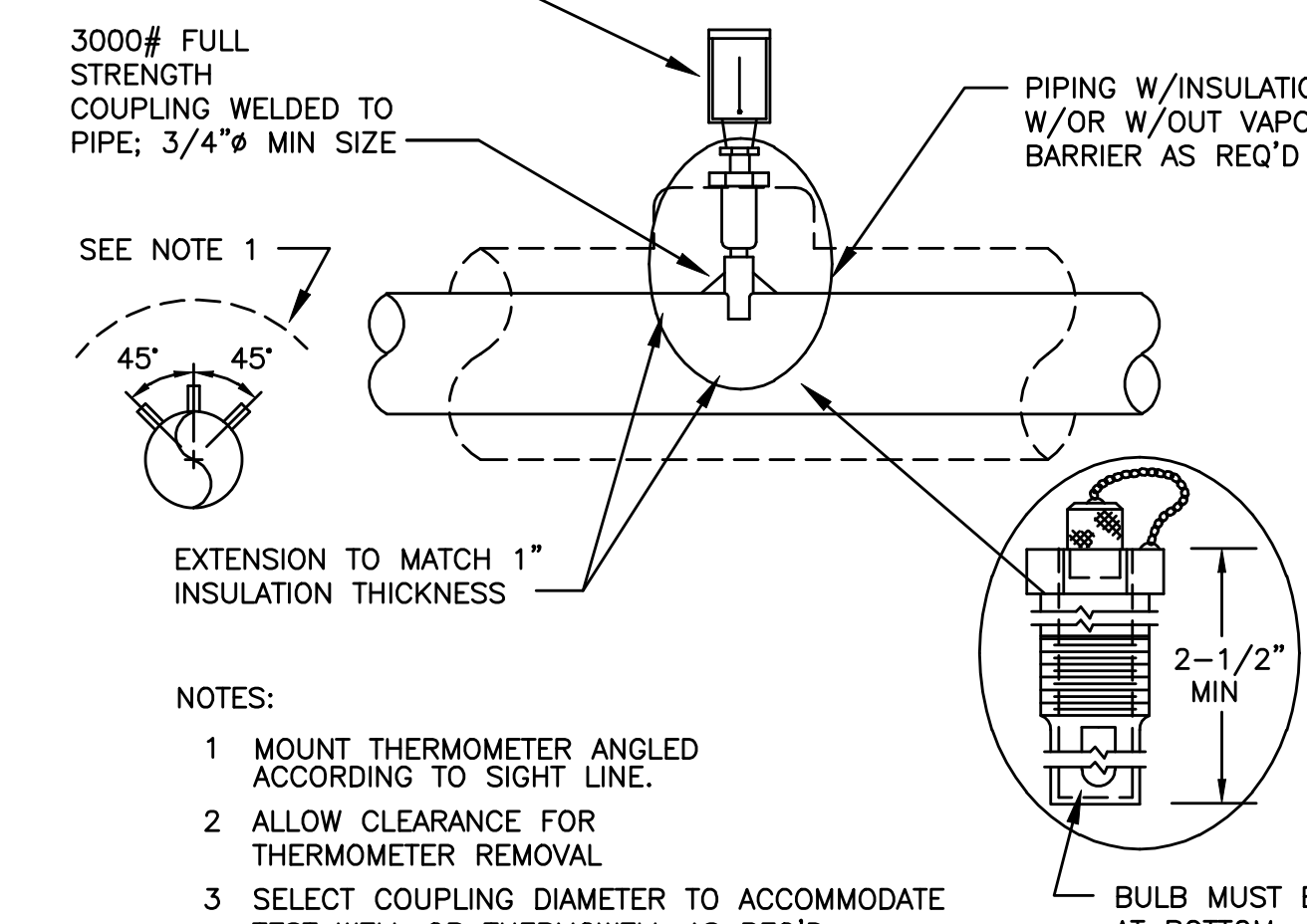


**E7** CHILLED WATER PIPING DETAIL, 1 TIER, TWO-WAY VALVE

NOT TO SCALE

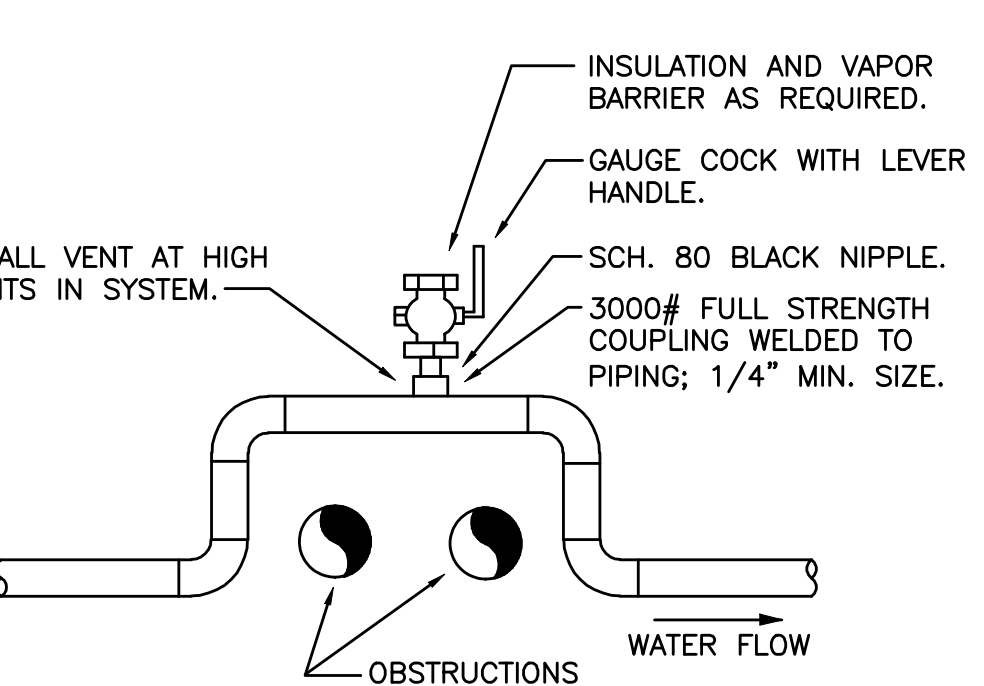
TYP. FOR AIR HANDLER MOUNTED COILS

THERMOMETER SHOWN AT TOP OF LINE FOR ILLUSTRATION PURPOSES ONLY; PREFERRED LOCATION ON SIDE OF PIPE



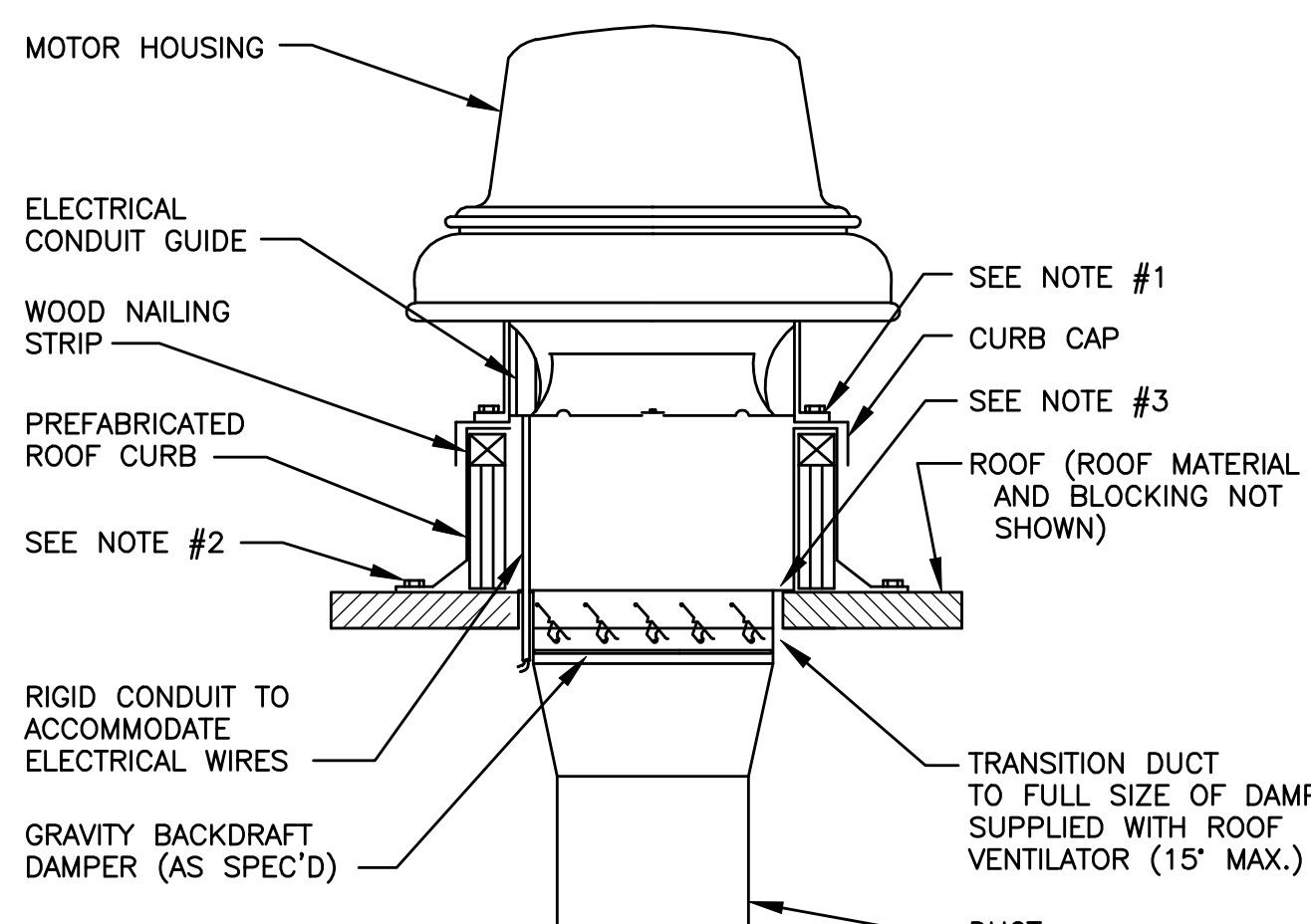
**D12** THERMOMETER AND THERMOWELL INSTALLATION

NOT TO SCALE



**A12** HIGH POINT MANUAL AIR VENT DETAIL

NOT TO SCALE



NOTES:

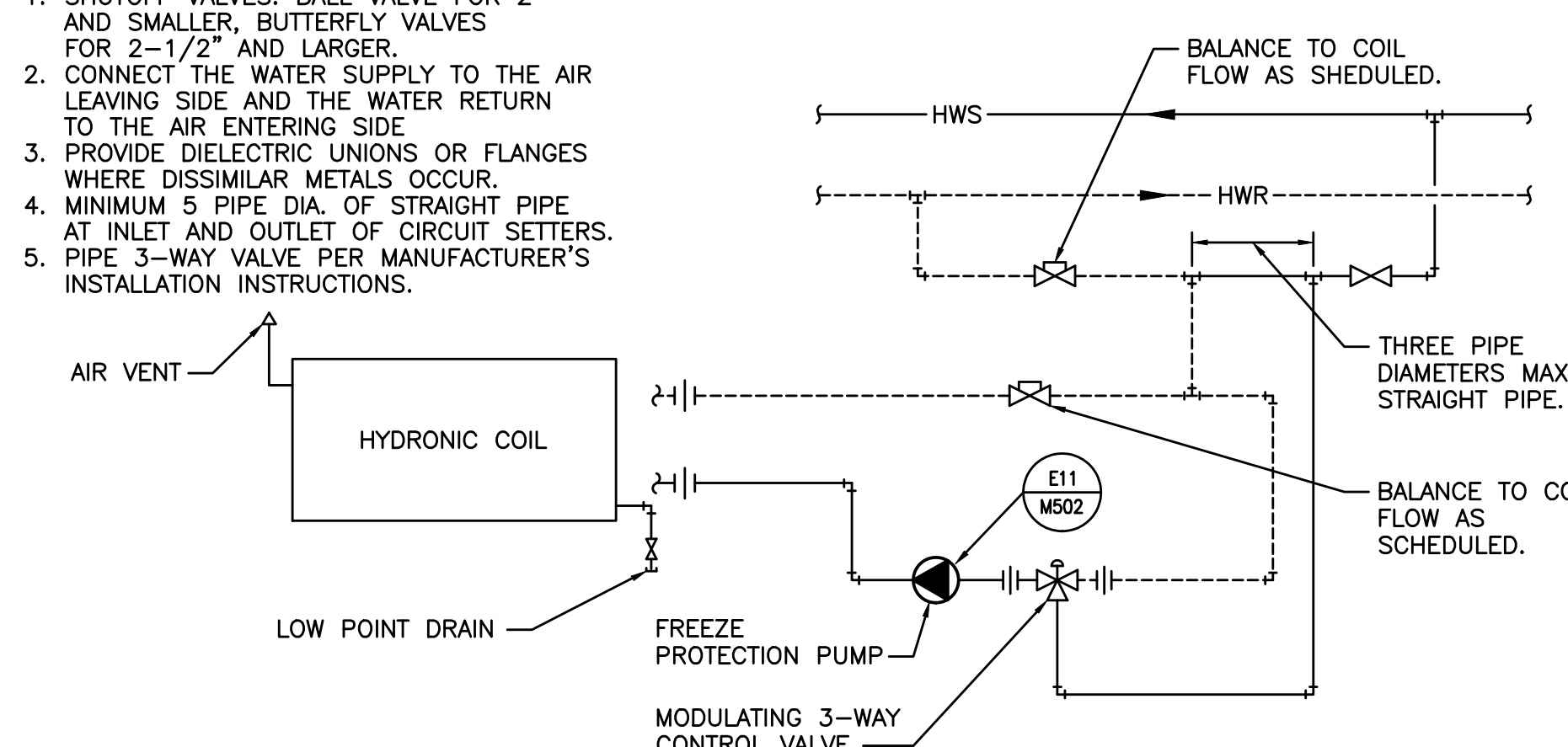
1. SECURE CURB CAP TO WOOD NAILING STRIP WITH 3/8" CADMIUM PLATED LAG BOLTS NOT OVER 12" ON CENTER.
2. SECURE ROOF CURB, DUCTWORK AND DAMPER TO ROOF BLOCKING.
3. SIZE OF DUCT THROUGH ROOF SHALL NOT BE LARGER THAN CURB SUPPLIED WITH ROOF VENTILATOR.
4. RUN ELECTRIC LINES THROUGH CLEARANCE HOLE PROVIDED IN GRAVITY DAMPER, THEN THROUGH VENTILATOR ELECTRICAL CONDUIT GUIDE.

**A1** ROOF VENTILATOR DETAIL

NOT TO SCALE

NOTES:

1. SHUTOFF VALVES: BALL VALVE FOR 2" AND SMALLER, BUTTERFLY VALVES FOR 2-1/2" AND LARGER.
2. CONNECT THE WATER SUPPLY TO THE AIR LEAVING SIDE AND THE WATER RETURN TO THE AIR ENTERING SIDE
3. PROVIDE DIELECTRIC UNIONS OR FLANGES WHERE DISSIMILAR METALS OCCUR.
4. MINIMUM 5 PIPE DIA. OF STRAIGHT PIPE AT INLET AND OUTLET OF CIRCUIT SETTERS.
5. PIPE 3-WAY VALVE PER MANUFACTURER'S INSTALLATION INSTRUCTIONS.



**A7** THREE-WAY VALVE HYDRONIC COIL W/ FREEZE PROTECTION PUMP DETAIL

NOT TO SCALE

TYP. FOR AIR HANDLER MOUNTED COILS



ARCHITECTURE ENGINEERING PLANNING  
 SMRT  
 144 Fore Street/P.O. Box 618  
 Portland, Maine 04104  
 tel. (207) 772-3846  
 fax. (207) 772-1070

PROJECT TITLE:  
 MAINE TURNPIKE AUTHORITY  
 ADMINISTRATION BUILDING  
 PORTLAND, MAINE  
 CURRENT ISSUE STATUS:  
 ISSUED FOR BIDDING/CONSTRUCTION  
 7-9-07

REV	DESCRIPTION	DATE
0	BIDDING/CONSTRUCTION	7-9-07

GRAPHIC SCALE:  
 0" 1"  
 SCALE: AS NOTED  
 PROJECT MANAGER: SLB  
 JC/DRAWN BY: TCM/BGG  
 A/E OF RECORD: RMW  
 CAD FILE: M-503-06016  
 PROJECT NO: 06016  
 DATE: 7-9-07

SHEET TITLE:  
 DETAILS  
 SHEET No.  
**M-503**  
 © copyright 2007 SMRT, INC.