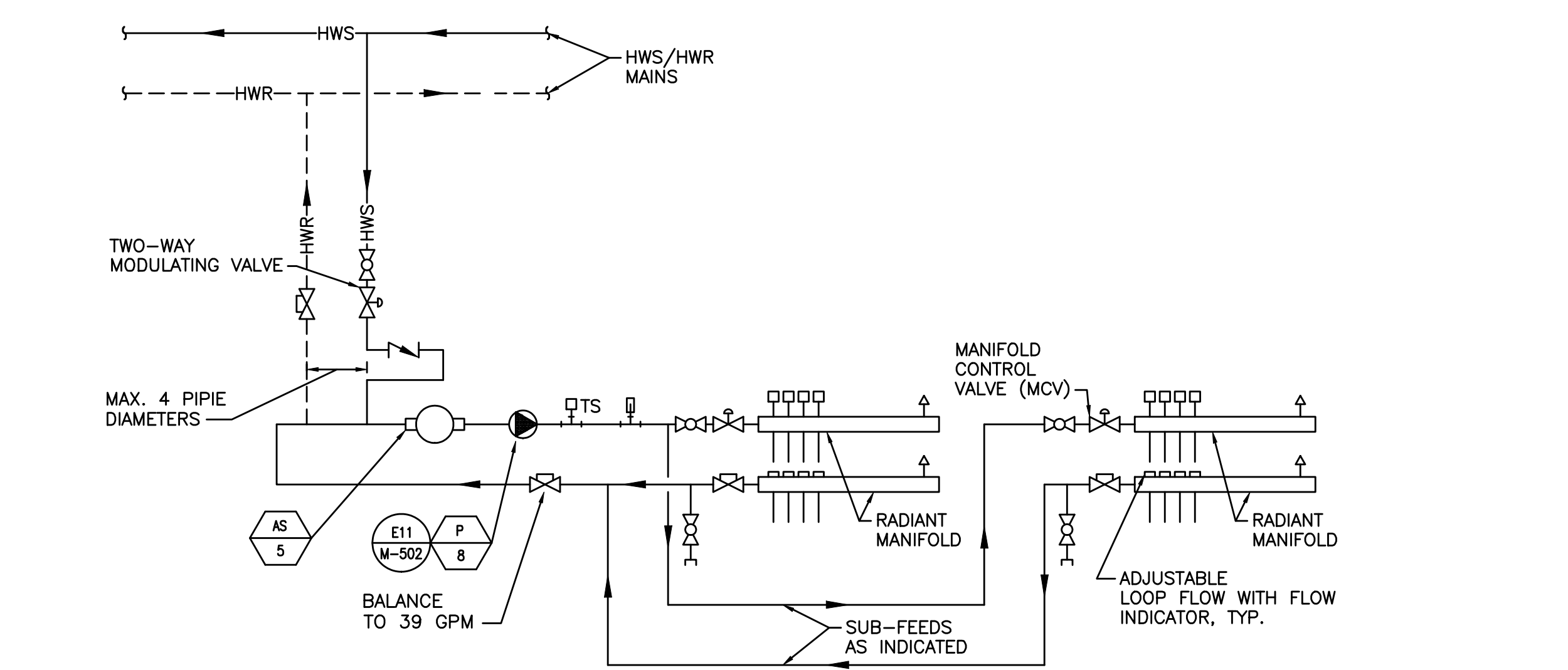
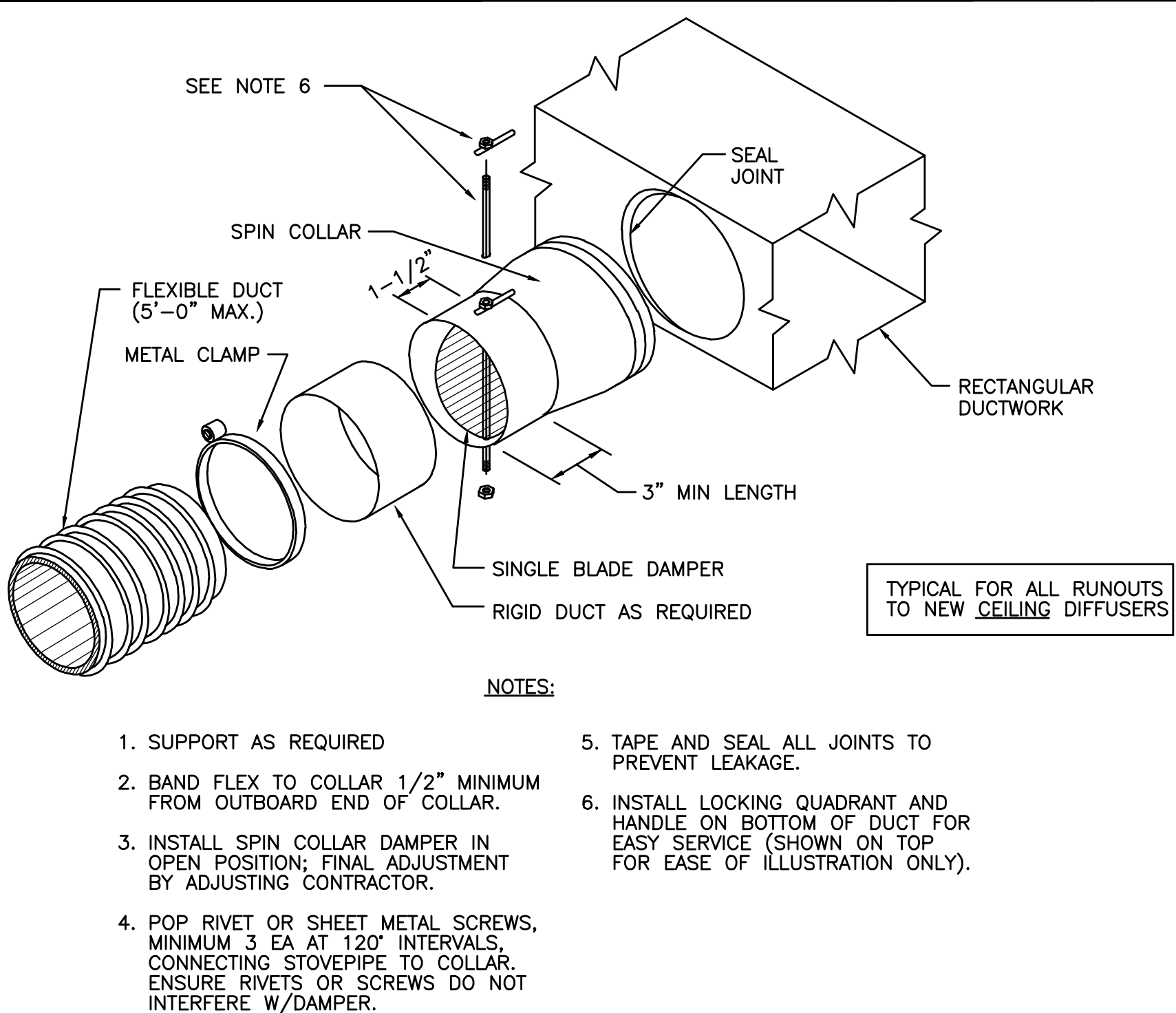
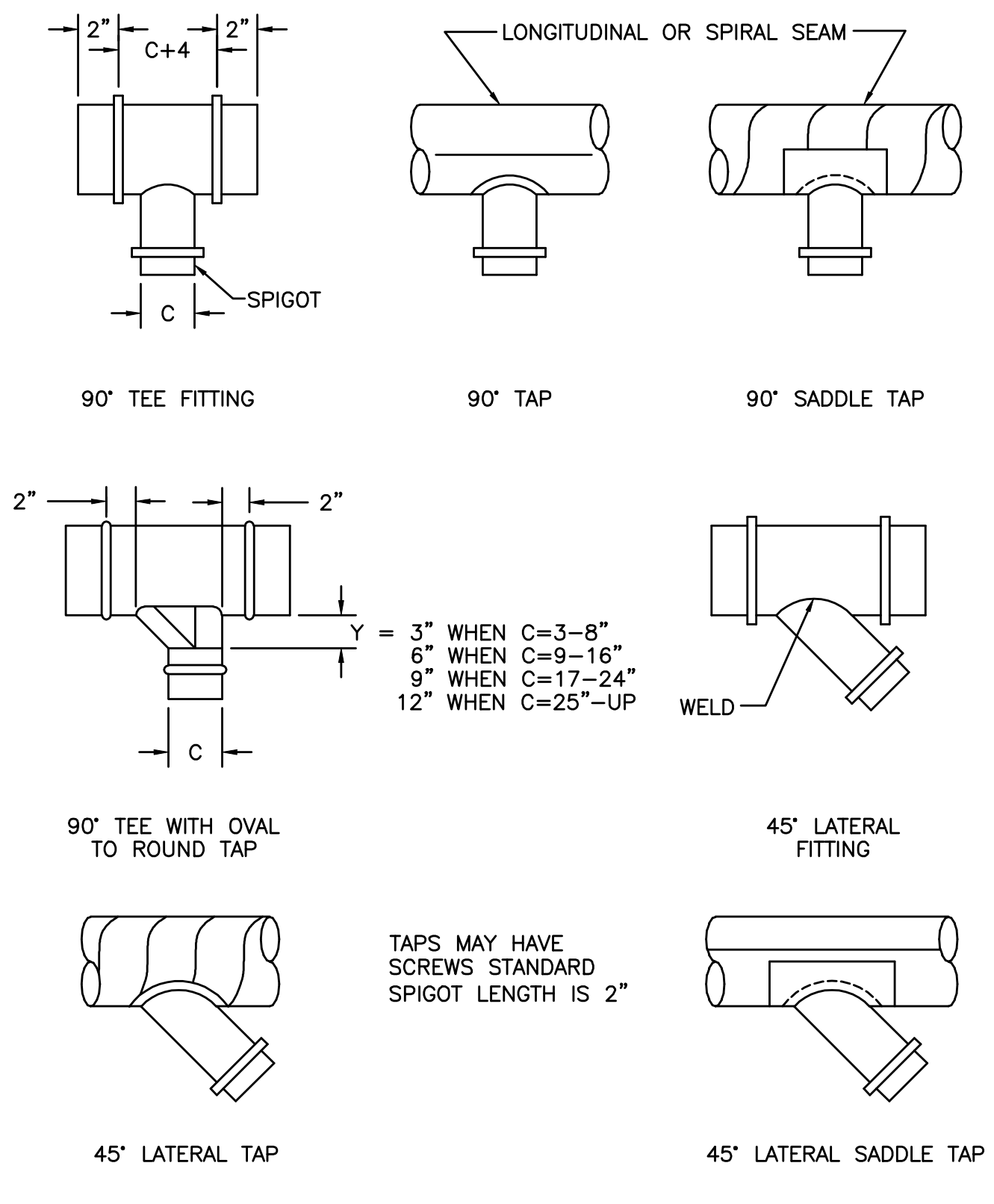


K1 DUCT MAIN AND BRANCH TAKE OFFS

J5 METAL DUCT WALL PENETRATION

J8 DRAIN VALVE INSTALLATION DETAIL

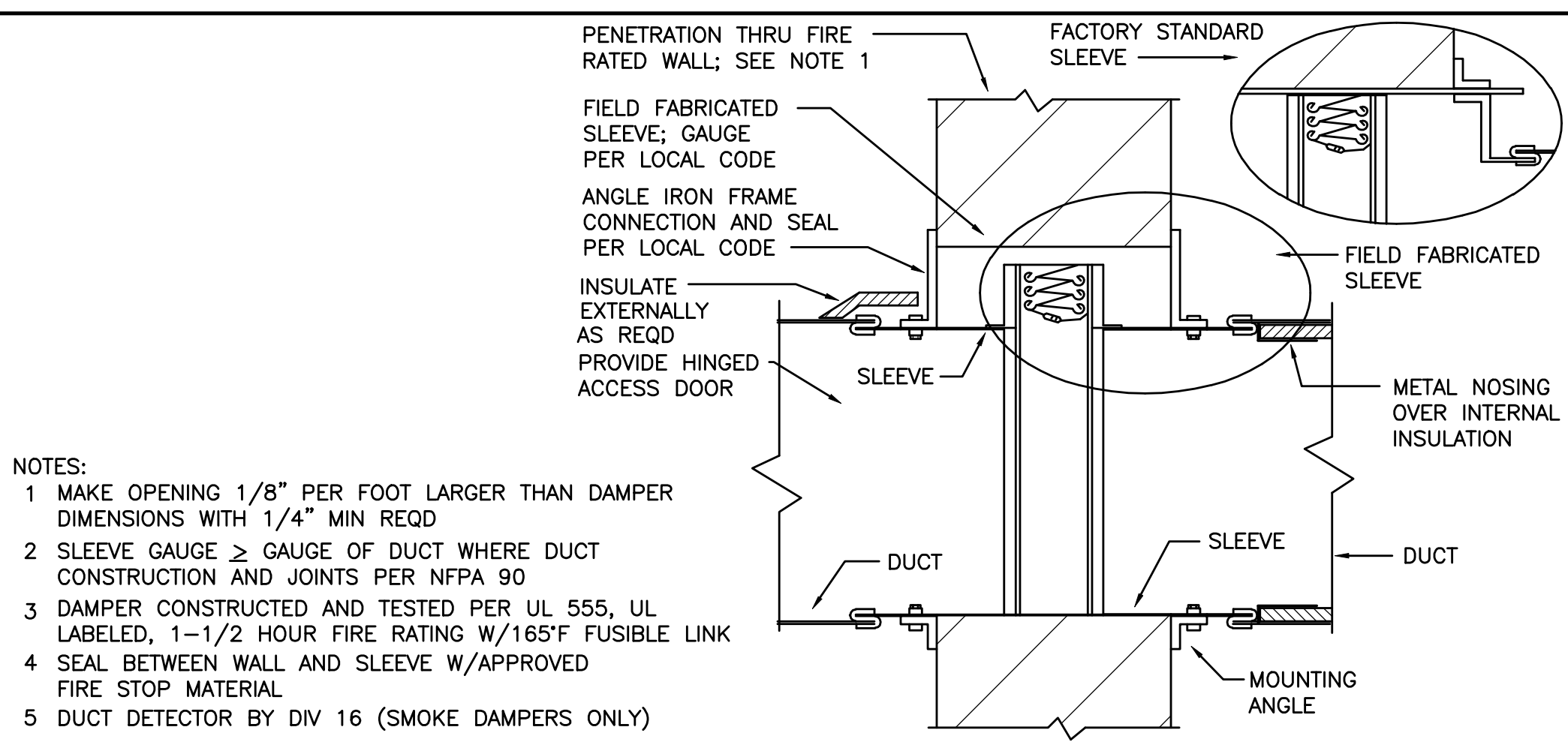
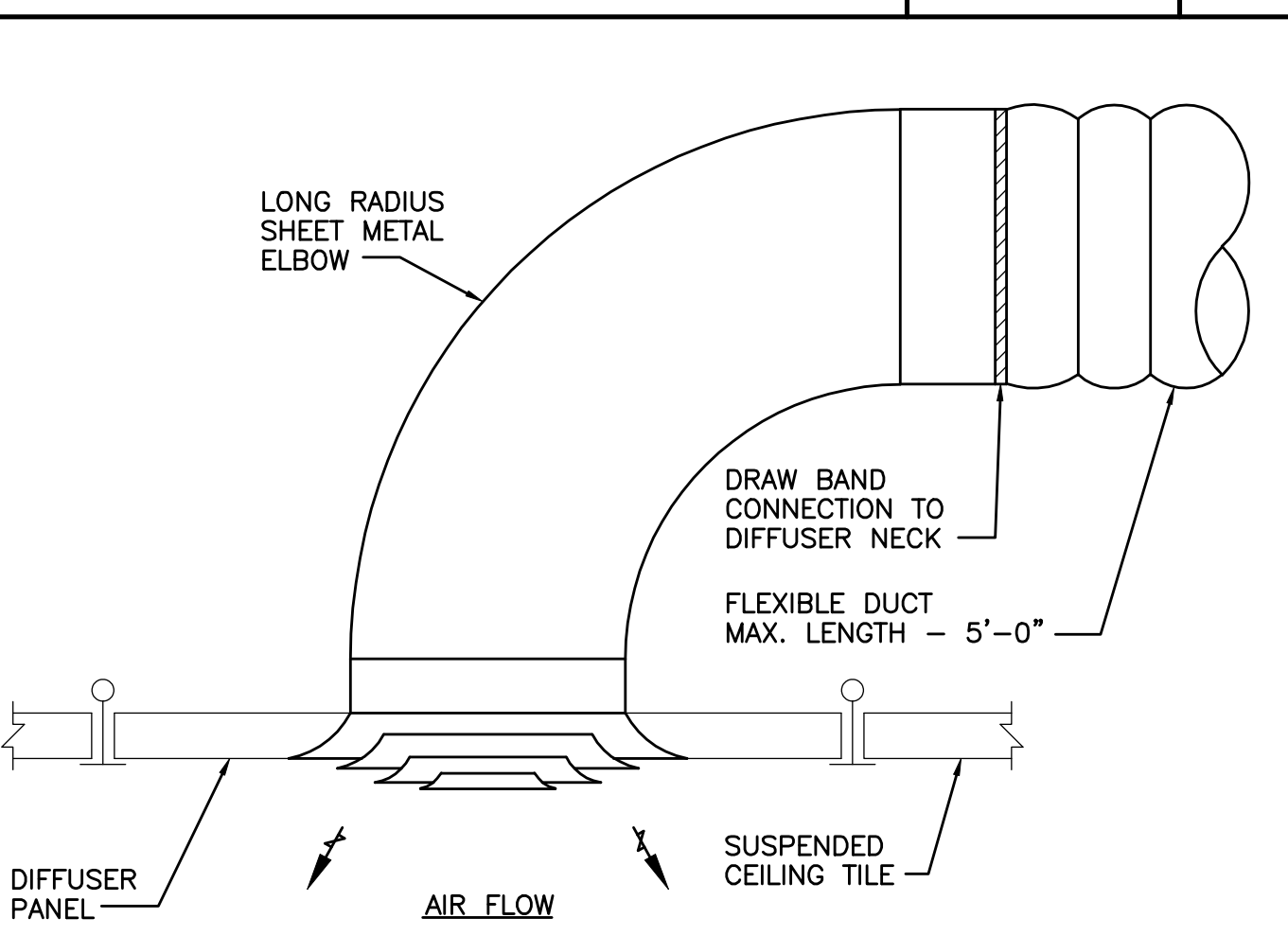
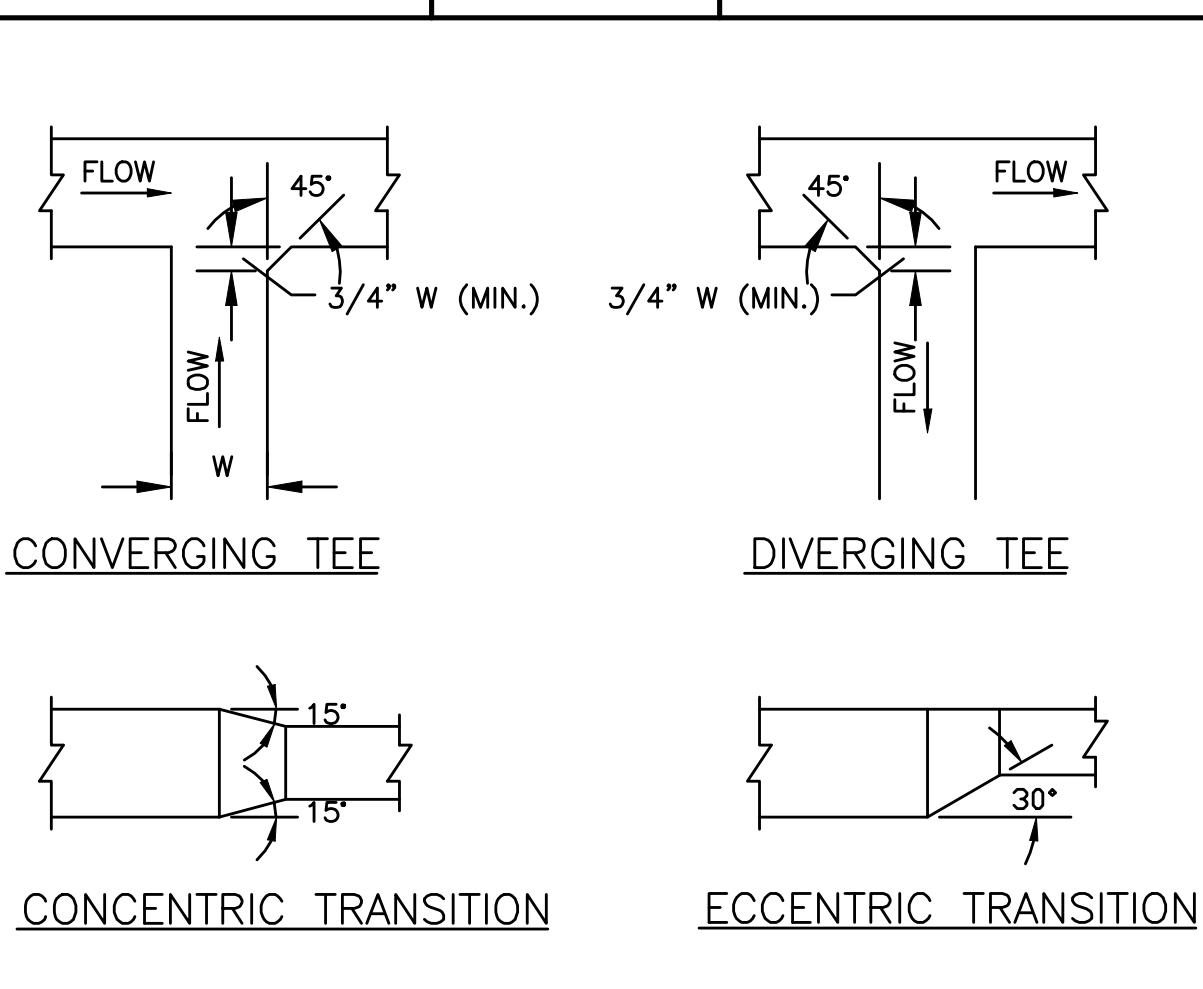
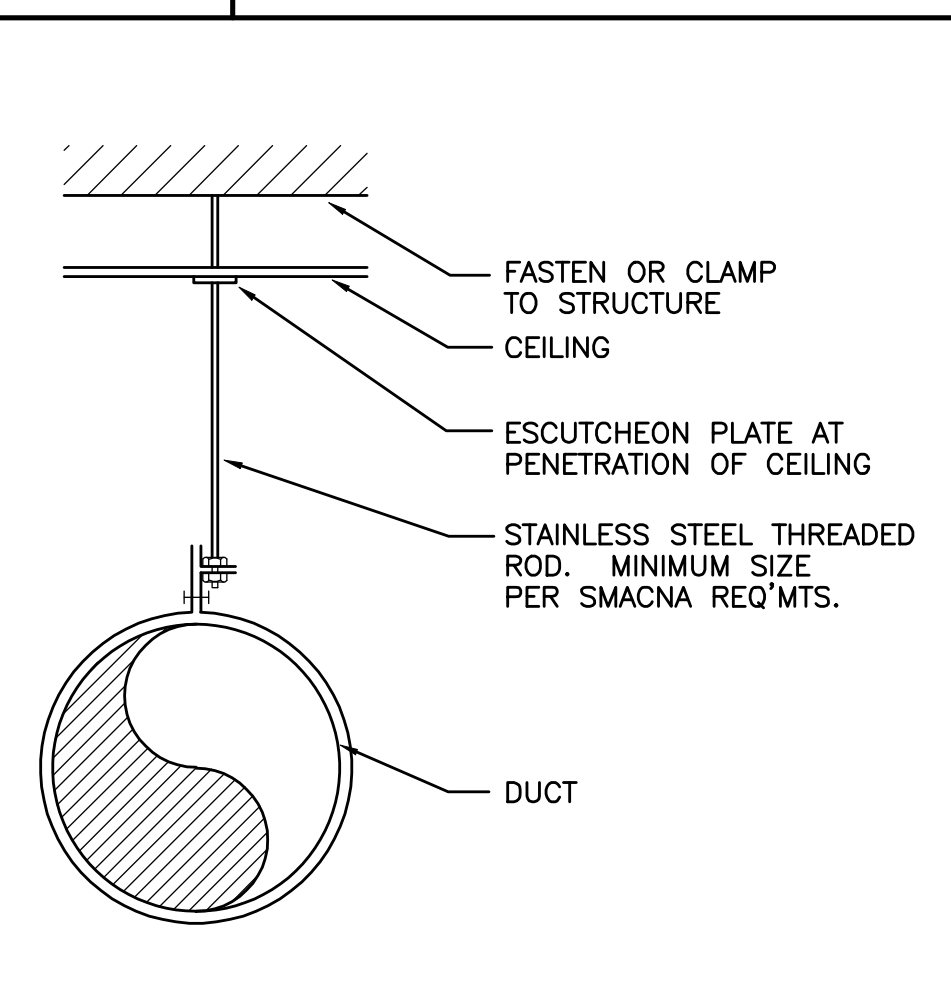
H12 VAV BOX SCHEMATIC



D1 TEES AND LATERALS

D5 SPIN COLLAR DUCT CONNECTOR WITH DAMPER

D9 RADIANT FLOOR PIPING & CONTROL SCHEMATIC



A1 DUCT HANGER

A4 DUCT TRANSITION

A7 FLEXIBLE DUCT

A10 FIRE DAMPER

SMRT

ARCHITECTURE ENGINEERING PLANNING
SWRT
144 Fore Street/P.O. Box 618
Portland, Maine 04104
tel. (207) 772-3846
fax. (207) 772-1070

**MAINE TURNPIKE AUTHORITY
ADMINISTRATION BUILDING
PORTLAND, MAINE**

PROJECT TITLE:
ISSUED FOR BIDDING/CONSTRUCTION
7-9-07

REV	DESCRIPTION	DATE
0	BIDDING/CONSTRUCTION	7-9-07

GRAPHIC SCALE: 1" = 1'

SCALE: AS NOTED

PROJECT MANAGER: SLB
JC/DRAWN BY: TCM/BGG
A/E OF RECORD: RWM
CAD FILE: M-501-06016
PROJECT NO: 06016
DATE: 7-9-07

SHEET TITLE:
DETAILS

SHEET No. **M-501**