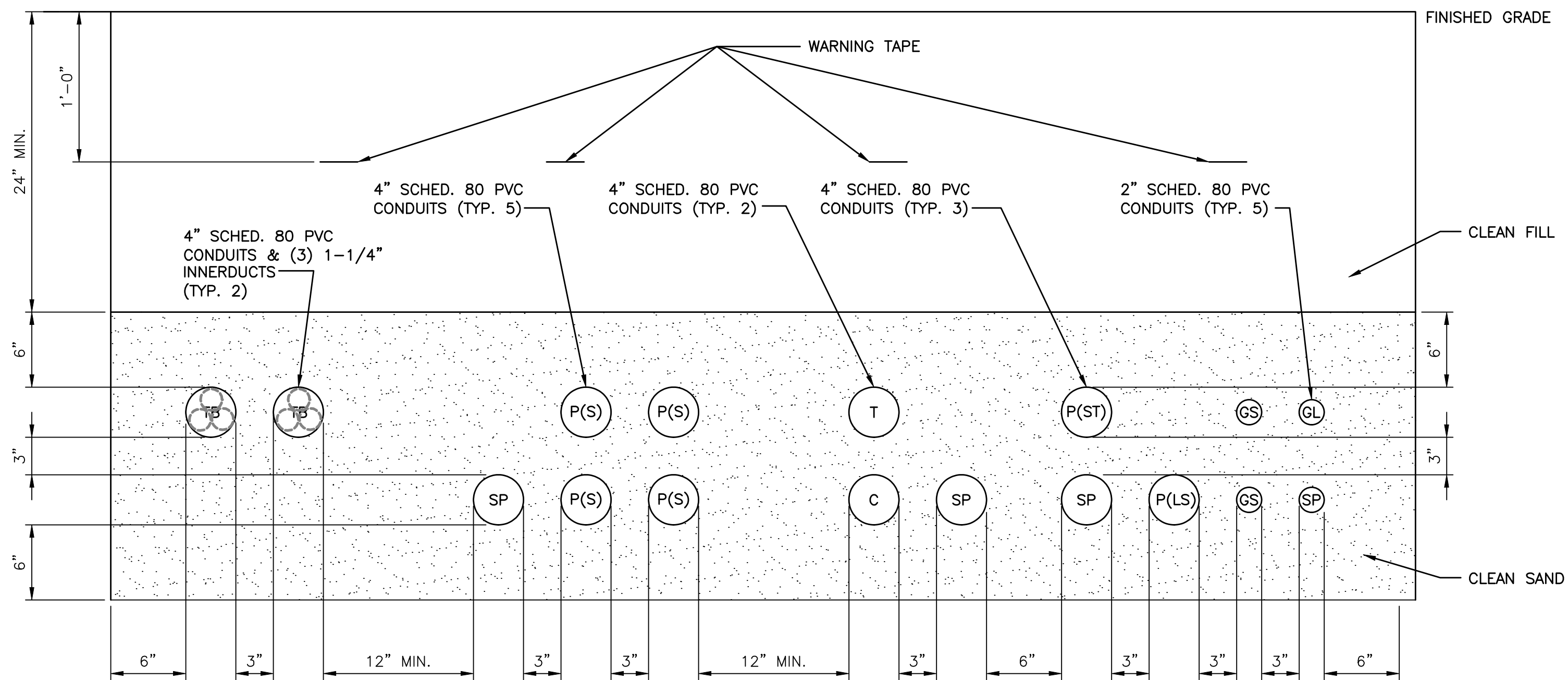


NOTES:

1. SEE SHEET E001 FOR LEGEND AND GENERAL NOTES.

KEY:

- C CABLE TELEVISION SERVICE
- GL GENERATOR LOAD CENTER
- GS GENERATOR START CIRCUITS/AUXILIARIES
- P(P) PRIMARY ELECTRICAL SERVICE
- P(S) SECONDARY ELECTRICAL SERVICE
- P(ST) STANDBY GENERATOR SERVICE
- P(LS) LIFE SAFETY GENERATOR SERVICE
- SP SPARE
- T TELECOMMUNICATIONS SERVICE
- TB TOLL BOOTH CONDUIT CONNECTION
- UM UTILITY COMPANY METERING



F1 DUCTBANK DETAIL

NOT TO SCALE

**SM
SRT**

ARCHITECTURE ENGINEERING PLANNING
SMART
144 Fore Street P.O. Box 618
Portland, Maine 04104
tel. (207) 772-3846
fax. (207) 772-1070

PROJECT TITLE: MAINE TURNPIKE AUTHORITY
ADMINISTRATION BUILDING
PORTLAND, MAINE

CURRENT ISSUE STATUS:
ISSUED FOR BIDDING/CONSTRUCTION
7-9-07

REV	DESCRIPTION	DATE
0	BIDDING/CONSTRUCTION	7-9-07

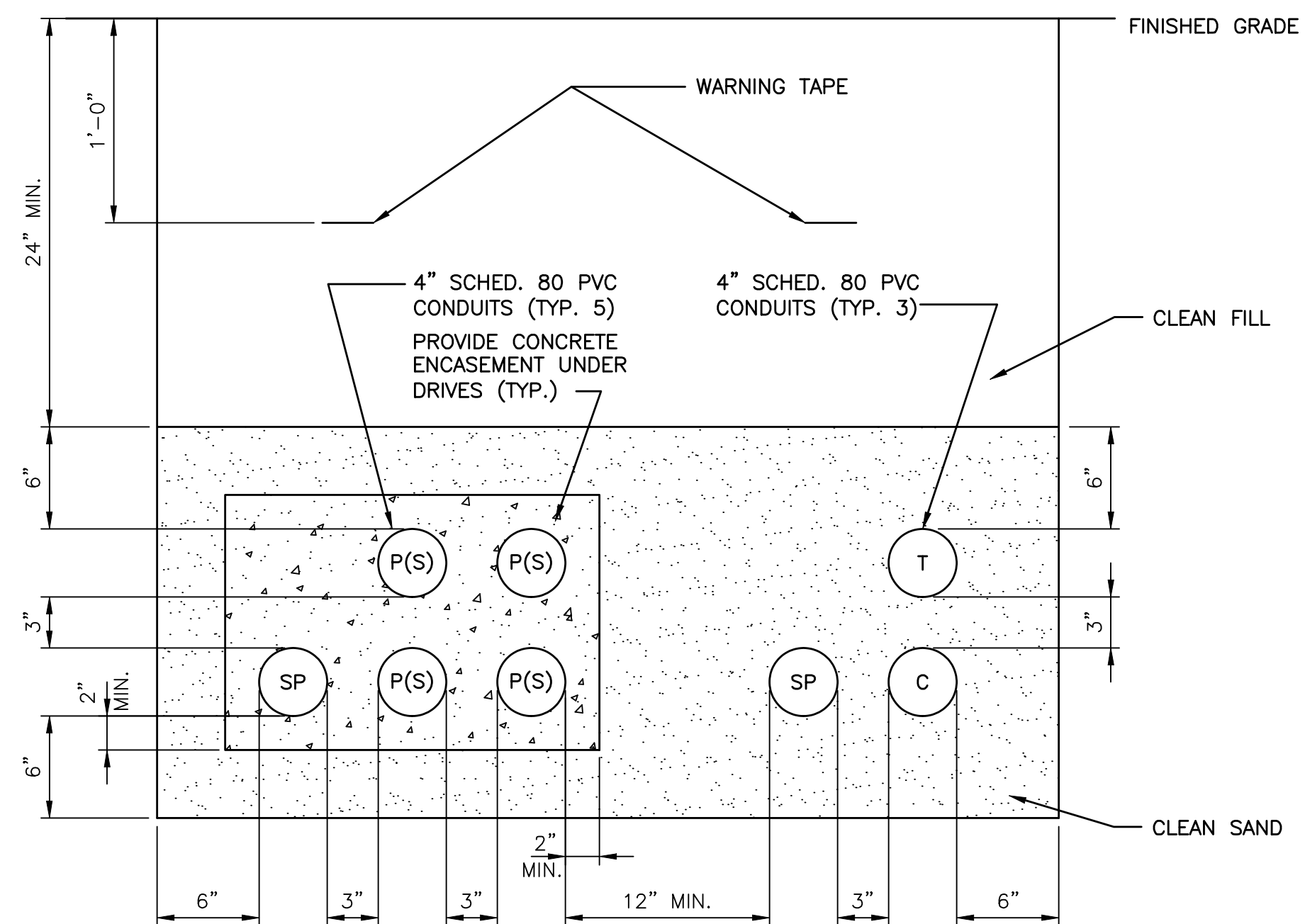
GRAPHIC SCALE:
0" 1"

SCALE: AS NOTED

PROJECT MANAGER: SLB
JC/DRAWN BY: TCM/CDS
A/E OF RECORD: JPP
CAD FILE: ES302-06016
PROJECT NO: 06016
DATE: 7-9-07

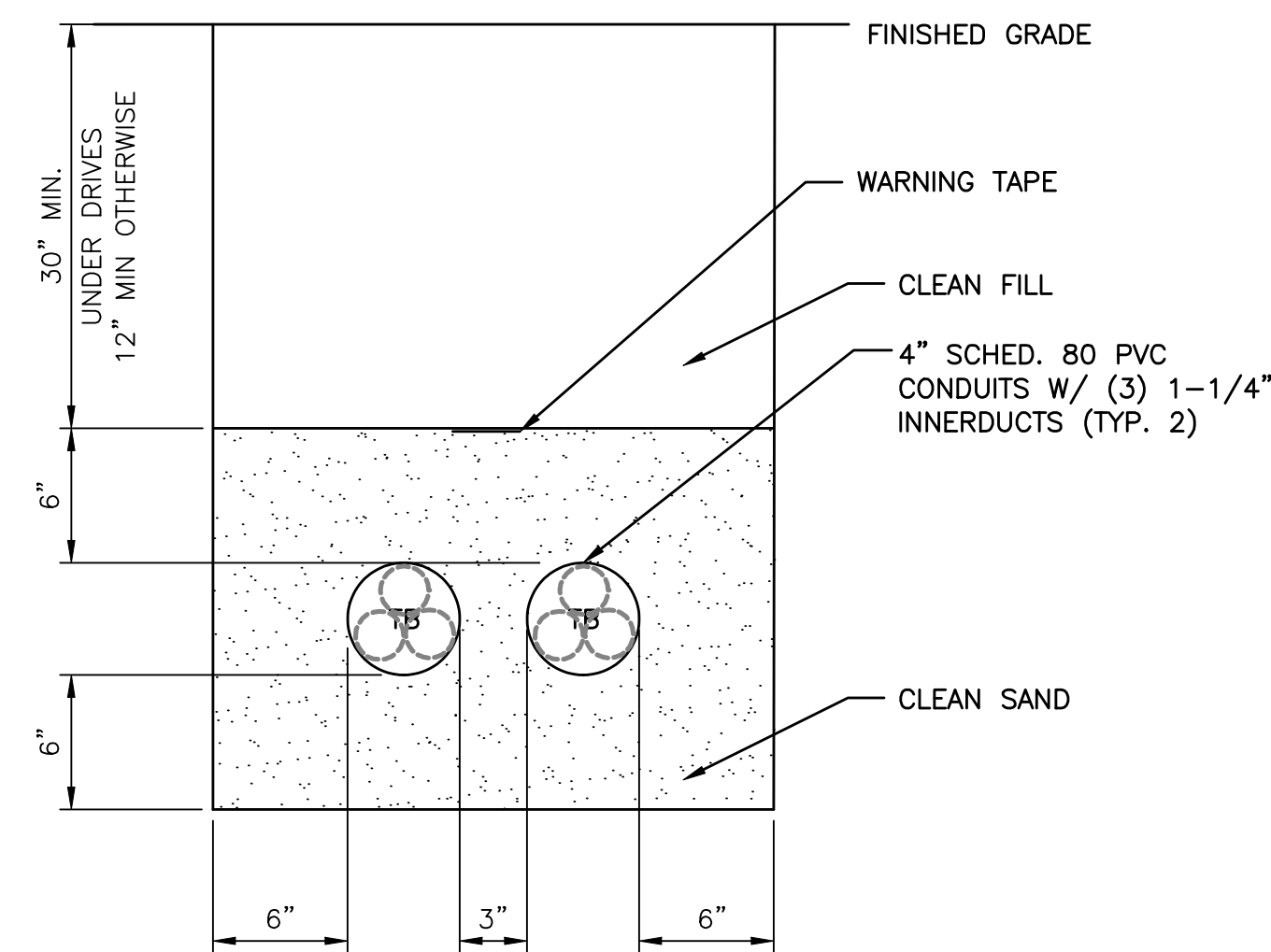
SHEET TITLE:
**DUCT BANK
DETAILS**

SHEET No.
ES302



A1 DUCTBANK DETAIL

NOT TO SCALE



A8 DUCTBANK DETAIL

NOT TO SCALE