

PROJECT TITLE: MAINE TURNPIKE AUTHORITY ADMINISTRATION BUILDING PORTLAND, MAINE
CURRENT ISSUE STATUS: ISSUED FOR BIDDING/CONSTRUCTION 7-9-07

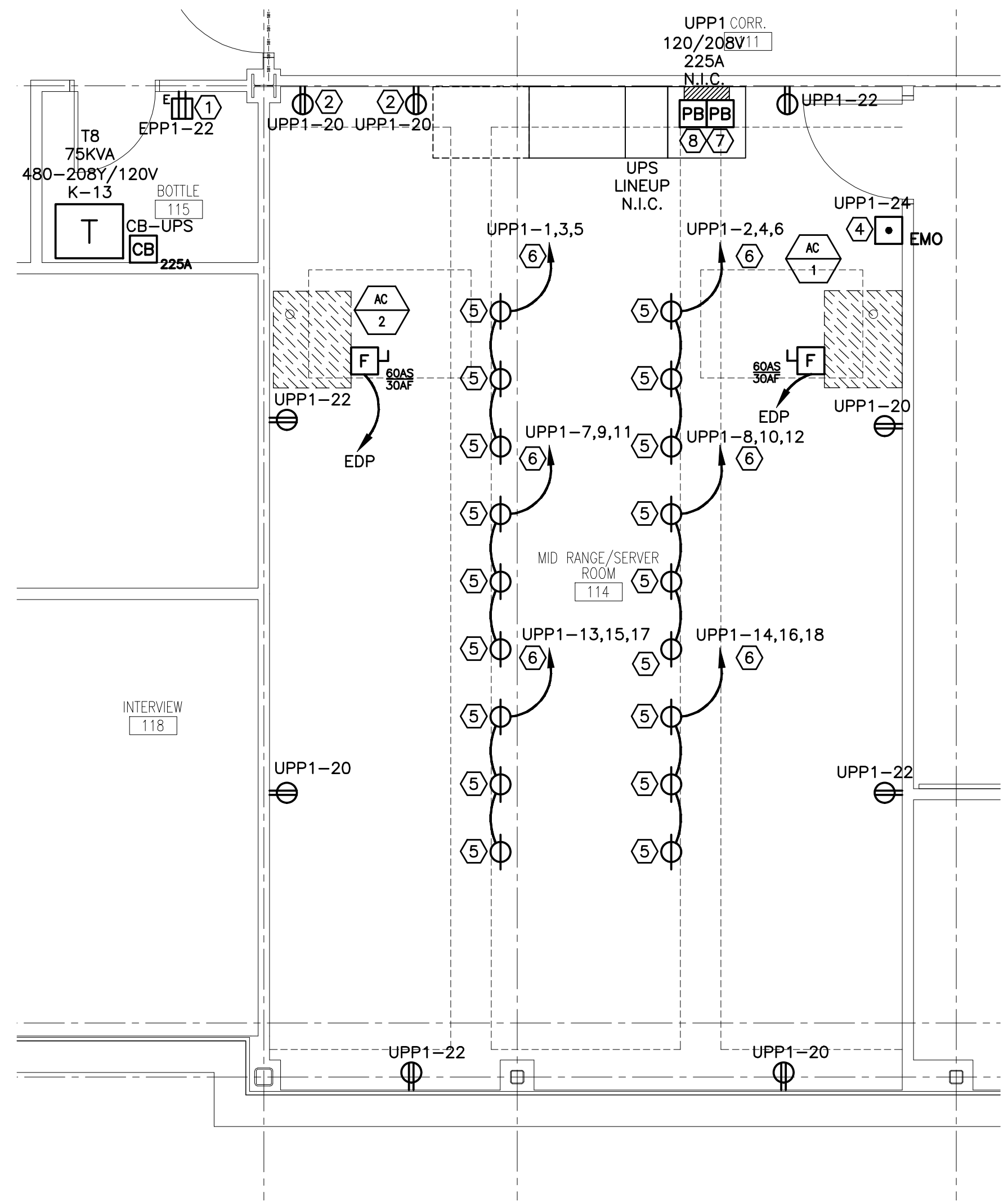
REV	DESCRIPTION	DATE
0	BIDDING/CONSTRUCTION	7-9-07

GRAPHIC SCALE: 0" = 1"
SCALE: 1/8" = 1'-0"
PROJECT MANAGER: SLB
JC/DRAWN BY: TCM/CDS
A/E OF RECORD: DJT
CAD FILE: EP401-06016
PROJECT NO: 06016
DATE: 7-9-07
SHEET TITLE: ENLARGED POWER PLANS
SHEET No. EP402

NOTE:
1. SEE SHEET E001 FOR LEGEND AND ABBREVIATIONS.

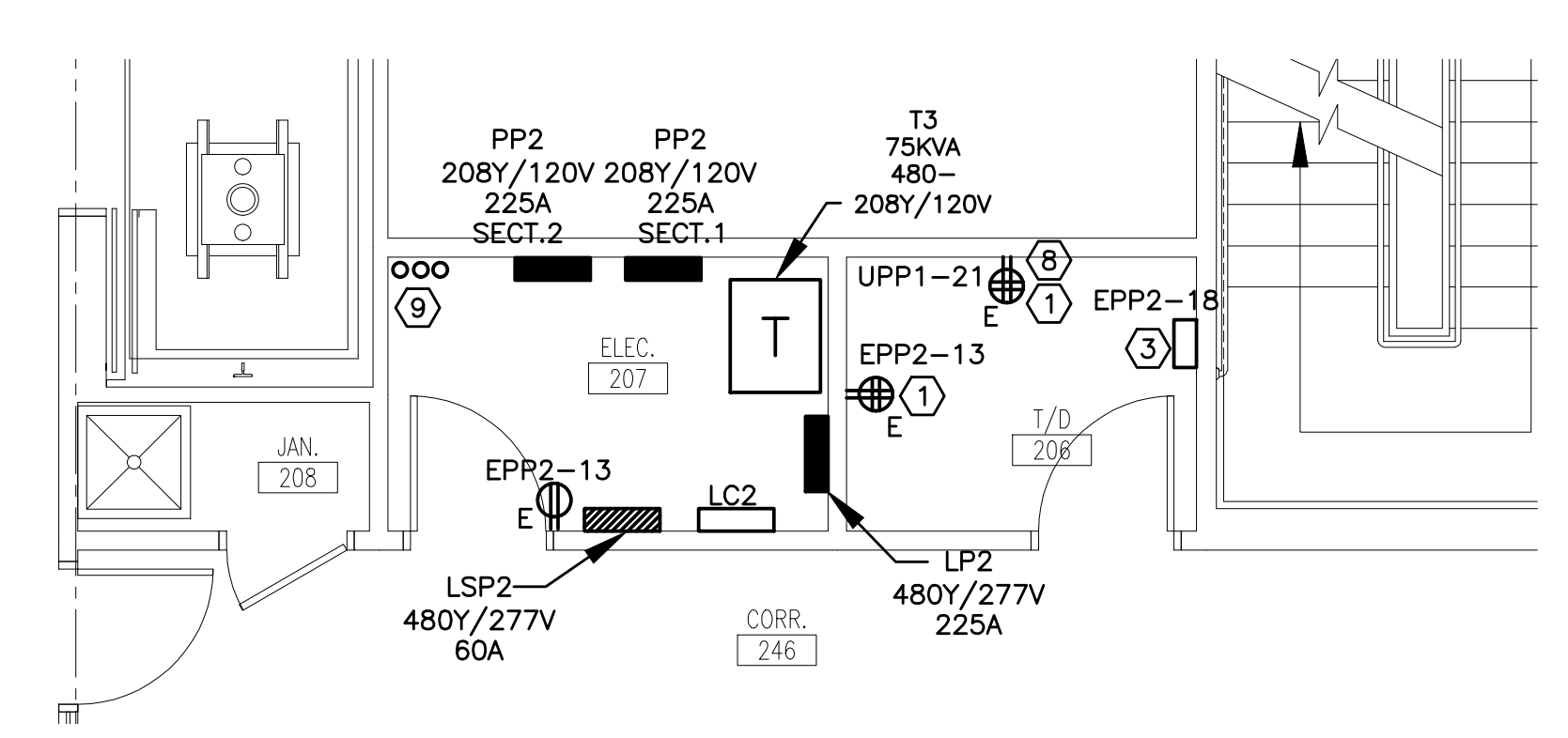
KEYED NOTES:

- ① MOUNT 45" AFF TO CENTER OF DEVICE.
- ② MOUNT 7" ABOVE COUNTER TO CENTER OF DEVICE.
- ③ PROVIDE 120V CONNECTION TO MECHANICAL CONTROL PANEL. COORDINATE WITH MECHANICAL CONTRACTOR FOR EXACT LOCATION.
- ④ DATA CENTER EMERGENCY POWER SHUT DOWN PUSHBUTTON W/ LEXAN PROTECTIVE COVER. PROVIDE 120V POWER FOR SHUNT TRIP BREAKERS SERVING AC-1 AND AC-1 AS INDICATED. SEE EP651 FOR ADDITIONAL INFORMATION.
- ⑤ FURNISH AND INSTALL 4" DEEP JUNCTION BOX MOUNTED TO THE BOTTOM OF CABLE TRAY AND 1-NEMA L5-20R TWIST LOCK RECEPTACLE DEVICE FOR DEDICATED 120V POWER CONNECTION TO SERVER RACK. COORDINATE EXACT RECEPTACLE DEVICE REQUIREMENTS, WIRING, AND LOCATIONS W/ OWNER, ARCHITECT, AND ACTUAL EQUIPMENT PROVIDED.
- ⑥ PROVIDE 1" EMT MOUNTED BELOW CABLE TRAY FOR ROUTING OF RECEPTACLE BRANCH CIRCUITS TO UPP1 PULLBOX AS INDICATED. PROVIDE 2#12 AWG & #10 GND PER BRANCH CIRCUIT HOMERUN ROUTED TO UPP1 PULLBOX. W/ MIN. 15 FEET OF EXCESS, LABELED, AND NEATLY COILED FOR FUTURE EXTENSION TO UPP1 BY UPS INSTALLER. PROVIDE ALL CABLE TRAY SUPPORTS, HARDWARE, AND ACCESSORIES AS REQUIRED.
- ⑦ PROVIDE 12"WX12"HX4"D UPP1 PULLBOX SURFACE MOUNTED TO THE WALL MIN. 84" AFF TO BOTTOM FOR ROUTING OF ALL UPP1 BRANCH CIRCUIT WIRING TO DEVICES. SEE KEYED NOTE 6 AND EP651 FOR ADDITIONAL INFORMATION.
- ⑧ PROVIDE 12"WX12"HX4"D UPS PULLBOX SURFACE MOUNTED TO THE WALL MIN. 84" AFF TO BOTTOM FOR ROUTING OF UPS FEEDER WIRING FROM CB-UPS. SEE EP651 FOR ADDITIONAL INFORMATION.
- ⑧ PROVIDE 3#12 AWG & #12GND BRANCH CIRCUIT HOMERUN WIRING TO UPP1 PULLBOX LOCATED IN MID RANGE/SERVER ROOM 114 W/ 15 FEET EXCESS, LABELED AND NEATLY COILED FOR FUTURE EXTENSION TO UPP1 BY UPS INSTALLER.
- ⑨ PROVIDE (3)-4" CONDUIT SLEEVES THROUGH FLOOR DECK WITH 4" EXPOSURE ABOVE FINISHED FLOOR AND BELOW DECKING. PROVIDE REMOVABLE FIRESTOP CAPS ON BOTH ENDS.



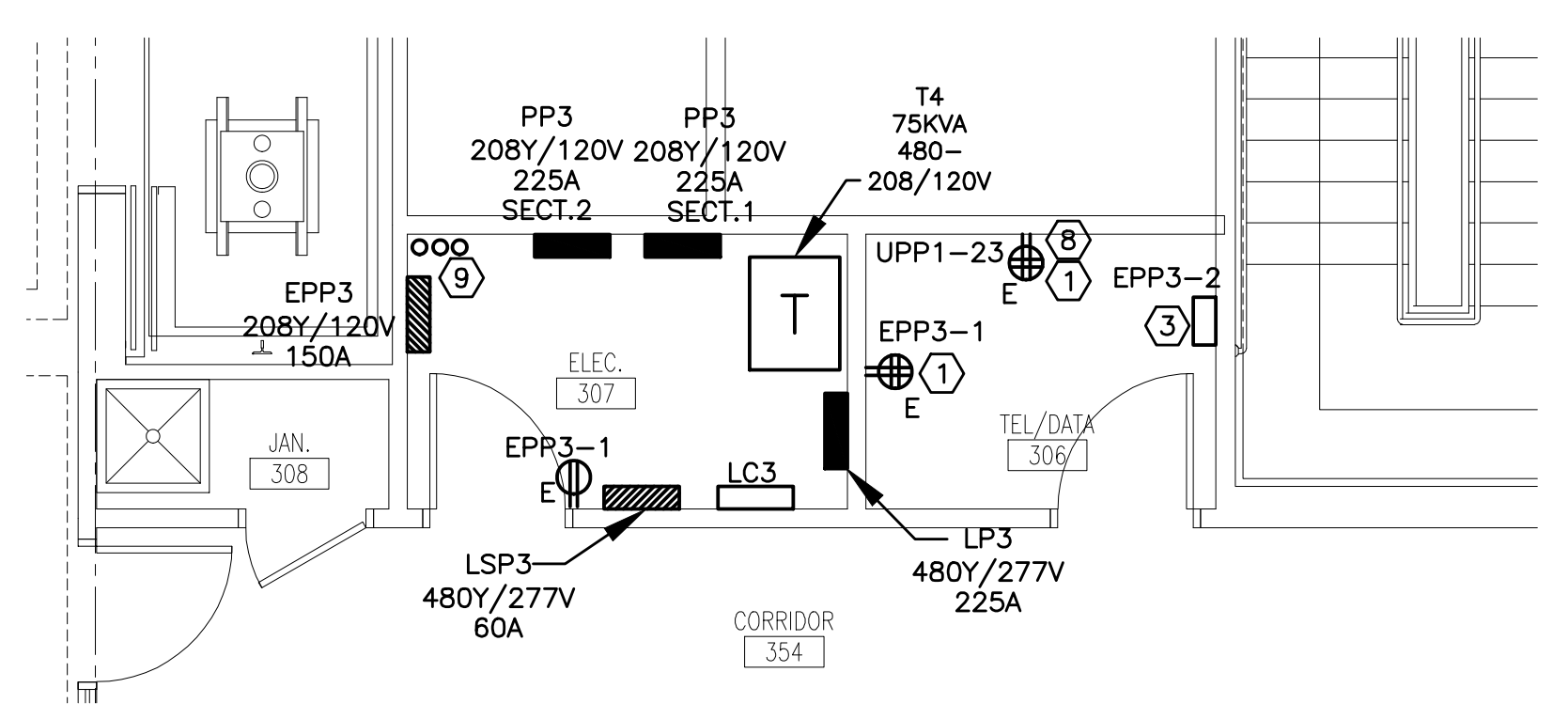
A1 ENLARGED MID RANGE/SERVER ROOM 114 PLAN

1/4" = 1'-0"



E6 ENLARGED T/D 206 AND ELEC. 207 PLAN

1/4" = 1'-0"



A6 ENLARGED T/D 306 AND ELEC. 307 PLAN

1/4" = 1'-0"