

LIGHTING CONTROL PANEL LC1 – 16 RELAYS, MASTER PANEL W/ CENTRAL TIMECLOCK

ZONE ID	ZONE DESCRIPTION	REMOTE DEVICE ID	TOTAL LOCATIONS	RELAY #	BRANCH CIRCUIT	NORMAL HOURS	OFF-HOURS OVERRIDE	REMOTE DEVICE ENGRAVED LABEL	NOTES
11	POLICE CORRIDORS	S ₁₁	3	LC1-1	LP1-1	6 AM – 7 PM	2 HOURS	"LIGHTS ON/OFF"	NOTE 1
12	1ST FLOOR CORRIDORS	S ₁₂	4	LC1-2	LP1-4	6 AM – 10 PM	4 HOURS	"LIGHTS ON/OFF"	.
13	OPEN OFFICE 153	S ₁₃	1	LC1-3	LP1-6	6 AM – 10 PM	4 HOURS	"LIGHTS ON/OFF"	.
14	OPEN OFFICE 161	S ₁₄	1	LC1-4	LP1-6	6 AM – 10 PM	4 HOURS	"LIGHTS ON/OFF"	.
S1	STANDBY PARKING LIGHTING AND SIGNAGE	S _s	1	LC1-5	LP1-1	DUSK TO DAWN	2 HOURS	"SITE LIGHTING ON"	NOTES 2 AND 3
S2	NORMAL PARKING LIGHTING 1	S _s	1	LC1-6	LP1-3	DUSK TO 11 PM	2 HOURS	"SITE LIGHTING ON"	NOTE 3
S3	NORMAL PARKING LIGHTING 2	S _s	1	LC1-7	LP1-5	DUSK TO 11 PM	2 HOURS	"SITE LIGHTING ON"	NOTE 3
S4	LANDSCAPE	S _s	1	LC1-8	LP1-7	DUSK TO 11 PM	2 HOURS	"SITE LIGHTING ON"	NOTE 3
S5	FLAGS	S _s	1	LC1-9	LP1-7	DUSK TO DAWN	2 HOURS	"SITE LIGHTING ON"	NOTE 3
S6	FACADE	S _s	1	LC1-10	LP1-7	DUSK TO 11 PM	2 HOURS	"SITE LIGHTING ON"	NOTE 3
S7	STANDBY 1ST & 2ND FLOOR ENTRY CANOPIES	S _s	1	LC1-11	LP1-1	DUSK TO DAWN	2 HOURS	"SITE LIGHTING ON"	NOTES 2 AND 3
.	SPARE	.	.	LC1-12
.	SPARE	.	.	LC1-13
.	SPARE	.	.	LC1-14
.	SPARE	.	.	LC1-15
.	SPARE	.	.	LC1-16

- NOTE:**
- BRANCH CIRCUIT INDICATED SERVES AS THE NORMAL POWER SWITCH LEG FOR THE EMERGENCY POWER CONTROL MODULE (EPC) SERVING ALL LIGHTING WITHIN ZONE. ZONE LIGHT FIXTURE SHALL BE FED BY LIFE SAFETY BRANCH CIRCUIT AS INDICATED ON PLANS.
 - BRANCH CIRCUIT INDICATED SERVES AS THE NORMAL POWER SWITCH LEG FOR THE EMERGENCY POWER CONTROL MODULE MOUNTED (EPC) MOUNTED ADJACENT TO LC1 PROVIDING SWITCHED STANDBY BRANCH POWER TO SITE LIGHTING.
 - SINGLE BUTTON OVERRIDE SWITCH LOCATED IN 1ST FLR ELECTRICAL ROOM 107 TO TURN ON ALL SITE AND CANOPY LIGHTING ZONES FOR 2 HRS THEN RETURN TO THE PROGRAMMED SCHEDULE.

LIGHTING CONTROL PANEL LC2 – 16 RELAYS, SLAVE PANEL

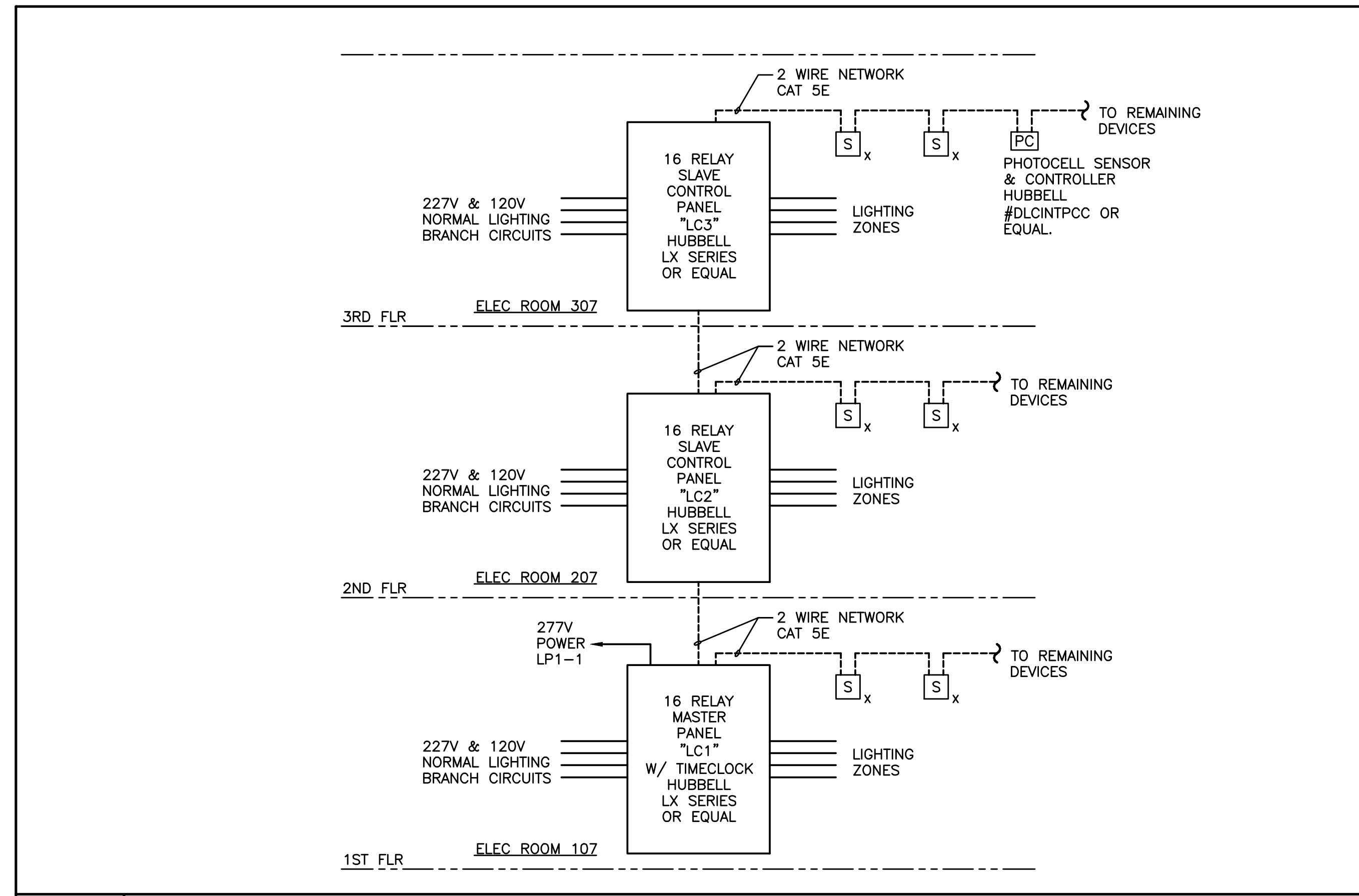
ZONE ID	ZONE DESCRIPTION	REMOTE DEVICE ID	TOTAL LOCATIONS	RELAY #	BRANCH CIRCUIT	NORMAL HOURS	OFF-HOURS OVERRIDE	REMOTE DEVICE ENGRAVED LABEL	NOTES
21	LOBBY	S ₂₁	2	LC2-1	LP2-3	6 AM – 10 PM	1 HOURS	"LIGHTS ON/OFF"	.
22	2ND FLOOR WEST	S ₂₂	3	LC2-2	LP2-1	6 AM – 7 PM	2 HOURS	"LIGHTING OVERRIDE"	.
23	2ND FLOOR EAST CORRIDOR 234	S ₂₃	3	LC2-3	LP2-2	6 AM – 10 PM	1 HOURS	"LIGHTING OVERRIDE"	.
24	2ND FLOOR EAST	S ₂₄	3	LC2-4	LP2-2	6 AM – 7 PM	2 HOURS	"LIGHTING OVERRIDE"	.
25	2ND FLOOR GALLERY	S ₂₅ , S _G	3,1	LC2-5	LP2-3	6 AM – 10 PM	2 HOURS	"GALLERY LIGHTS ON"	NOTE 2, NOTE 3
26	GALLERY TRACK LIGHTING	S _G	1	LC2-6	PP2-54	6 AM – 10 PM	2 HOURS	"GALLERY LIGHTS ON"	NOTE 3
27	GALLERY TRACK LIGHTING	S _G	1	LC2-7	PP2-62	6 AM – 10 PM	2 HOURS	"GALLERY LIGHTS ON"	NOTE 3
28	GALLERY TRACK LIGHTING	S _G	1	LC2-8	PP2-64	6 AM – 10 PM	2 HOURS	"GALLERY LIGHTS ON"	NOTE 3
S8	BUILDING SIGNAGE	S _s	1	LC2-9	PP2-56	DUSK TO 11 PM	2 HOURS	"SITE LIGHTING ON"	NOTE 1
S9	2ND FLOOR BALCONY CANOPIES	S _s	1	LC2-10	LP2-5	DUSK TO 11 PM	2 HOURS	"SITE LIGHTING ON"	NOTE 1
.	SPARE	.	.	LC2-11
.	SPARE	.	.	LC2-12
.	SPARE	.	.	LC2-13
.	SPARE	.	.	LC2-14
.	SPARE	.	.	LC2-15
.	SPARE	.	.	LC2-16

- NOTE:**
- SINGLE BUTTON OVERRIDE SWITCH LOCATED IN 1ST FLR ELECTRICAL ROOM 107 TO TURN ON ALL SITE AND CANOPY LIGHTING ZONES FOR 2 HRS THEN RETURN TO THE PROGRAMMED SCHEDULE.
 - LINK CONTROLS TO LC3 ZONE 37 DEVICES.
 - SINGLE BUTTON OVERRIDE SWITCH LOCATED IN 2ND FLR ELECTRICAL ROOM 207 TO TURN ON ALL 2ND & 3RD FLOOR GALLERY LIGHTING ZONES FOR 2 HRS THEN RETURN TO PROGRAMMED SCHEDULE.

LIGHTING CONTROL PANEL LC3 – 16 RELAYS, SLAVE PANEL

ZONE ID	ZONE DESCRIPTION	REMOTE DEVICE ID	TOTAL LOCATIONS	RELAY #	BRANCH CIRCUIT	NORMAL HOURS	OFF-HOURS OVERRIDE	REMOTE DEVICE ENGRAVED LABEL	NOTES
31	3RD FLOOR WEST	S ₃₁	3	LC3-1	LP3-1	6 AM – 10 PM	2 HOURS	"LIGHTS ON/OFF"	.
32	3RD FLOOR EAST CORRIDORS	S ₃₂	3	LC3-2	LP3-4	6 AM – 10 PM	2 HOURS	"LIGHTS ON/OFF"	.
33	3RD FLOOR –WAITING 330, OPEN OFFICE 331, 335	S ₃₃	2	LC3-3	LP3-2	6 AM – 10 PM	2 HOURS	"LIGHTS ON/OFF"	.
34	3RD FLOOR –OPEN OFFICE 339	S ₃₄	1	LC3-4	LP3-2	6 AM – 10 PM	2 HOURS	"LIGHTS ON/OFF"	.
35	3RD FLOOR –OPEN OFFICE 349	S ₃₅	3	LC3-5	LP3-5	6 AM – 10 PM	2 HOURS	"LIGHTS ON/OFF"	.
36	3RD FLOOR GALLERY UPLIGHTING	S _G	1	LC3-6	LP3-7	24 HOURS	2 HOURS	"GALLERY LIGHTS ON"	NOTE 3 & 4
37	3RD FLOOR GALLERY	S ₃₆ , S _G	3,1	LC3-7	LP3-7	6 AM – 10 PM	2 HOURS	"GALLERY LIGHTS ON"	NOTE 2, NOTE 4
38	3RD FLOOR GALLERY ART LIGHTING	S _G	1	LC3-8	LP3-7	6 AM – 10 PM	2 HOURS	"GALLERY LIGHTS ON"	NOTE 4
S10	BUILDING SIGNAGE	S _s	1	LC3-9	LP3-6	DUSK TO 11 PM	2 HOURS	"SITE LIGHTING ON"	NOTE 1
S11	3RD FLOOR BALCONY CANOPIES	S _s	1	LC3-10	LP3-6	DUSK TO 11 PM	2 HOURS	"SITE LIGHTING ON"	NOTE 1
.	SPARE	.	.	LC3-11
.	SPARE	.	.	LC3-12
.	SPARE	.	.	LC3-13
.	SPARE	.	.	LC3-14
.	SPARE	.	.	LC3-15
.	SPARE	.	.	LC3-16

- NOTE:**
- SINGLE OVERRIDE SWITCH LOCATED IN 1ST FLR ELECTRICAL ROOM 107 TO TURN ON ALL SITE AND CANOPY LIGHTING ZONES FOR 2 HRS THEN RETURN TO THE PROGRAMMED SCHEDULE.
 - LINK CONTROLS TO LC2 ZONE 25 DEVICES.
 - CONTROL LIGHTING ZONE VIA SYSTEM PHOTOCCELL SENSOR.
 - SINGLE BUTTON OVERRIDE SWITCH LOCATED IN 2ND FLR ELECTRICAL ROOM 207 TO TURN ON ALL 2ND & 3RD FLOOR GALLERY LIGHTING ZONES FOR 2 HRS THEN RETURN TO PROGRAMMED SCHEDULE.



A9 NETWORKED LIGHTING CONTROL PANEL SCHEMATIC RISER DIAGRAM

NOT TO SCALE