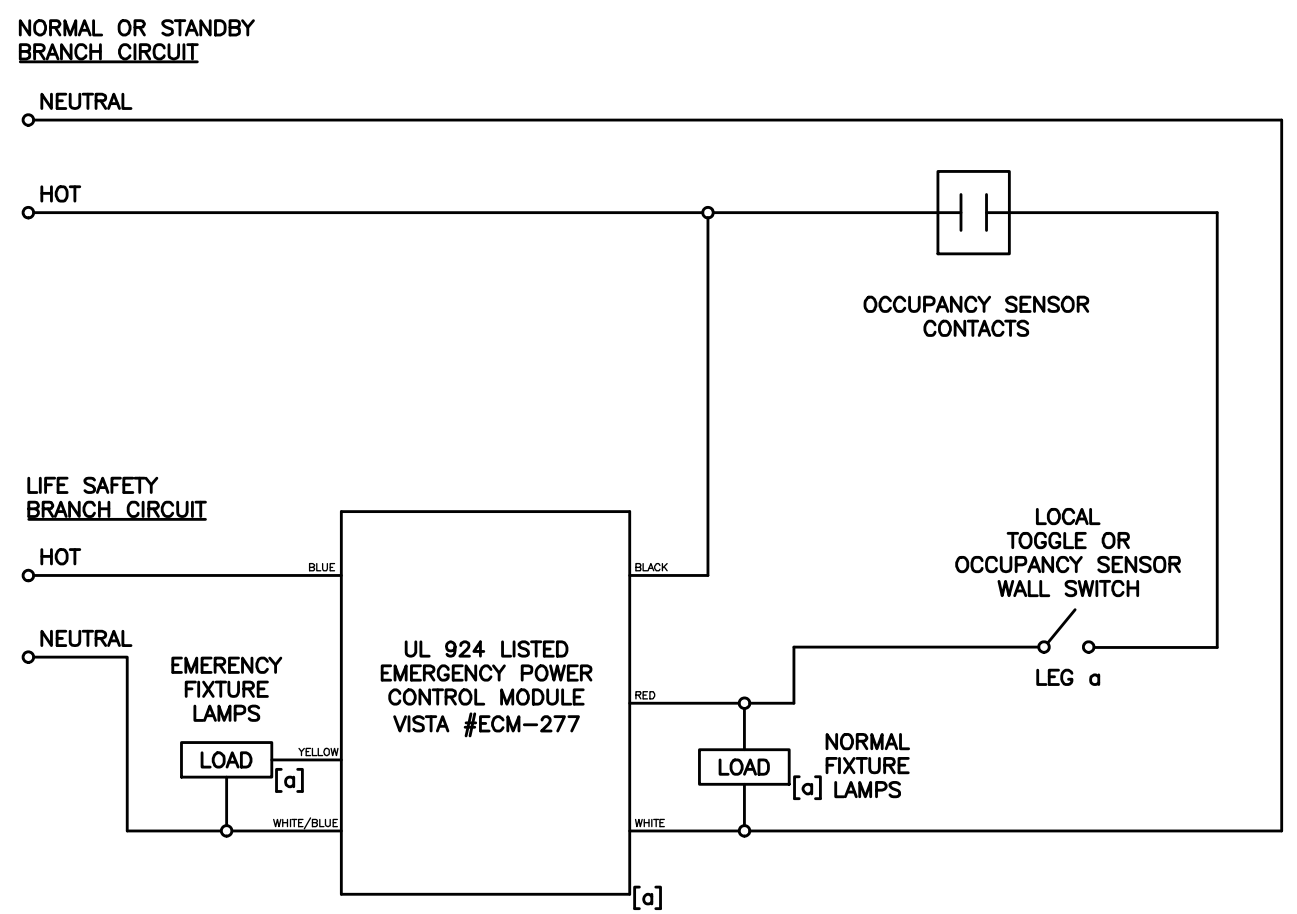


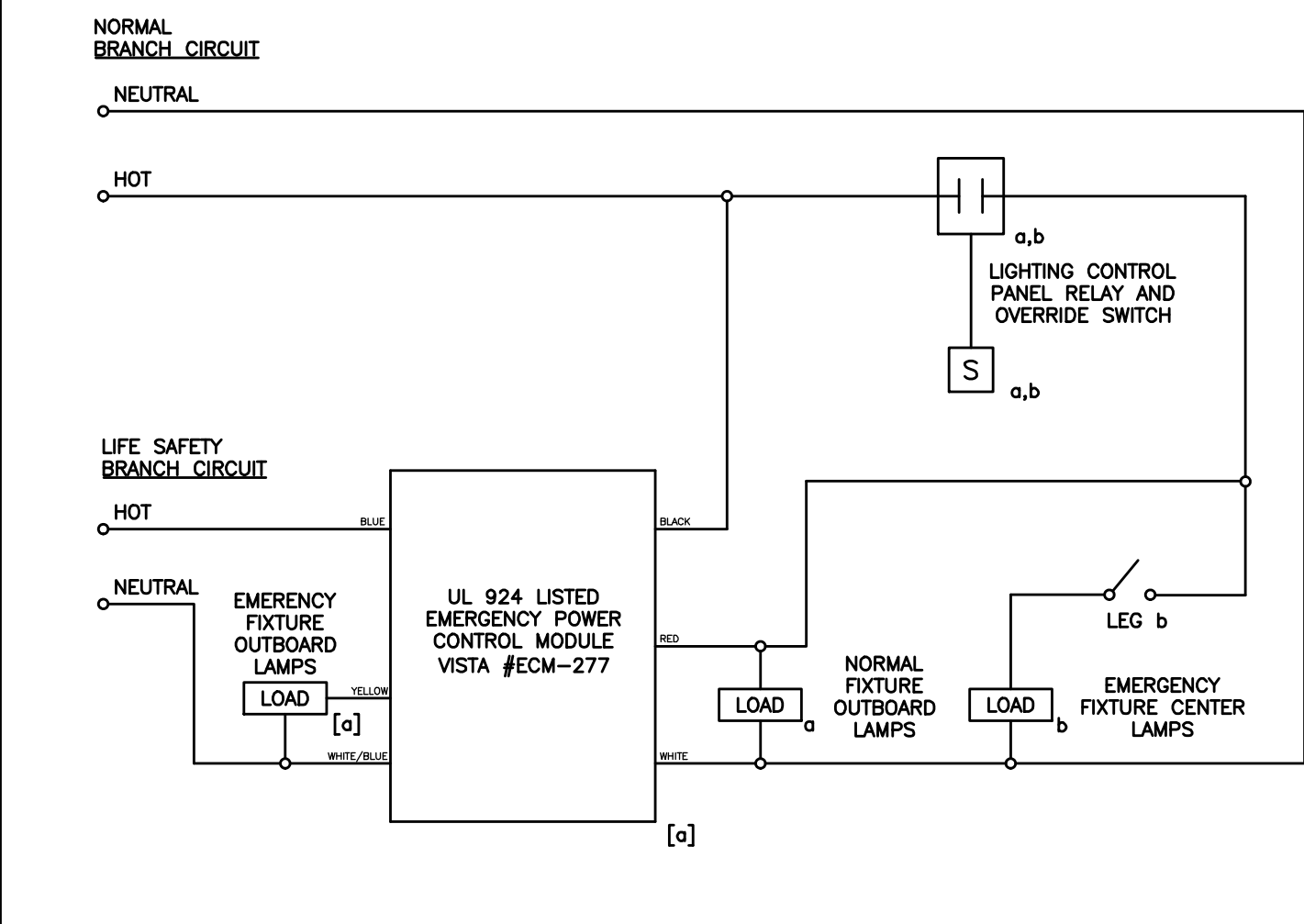
J8 EMERGENCY POWER CONTROL MODULE (EPC) SWITCHED LIFE SAFETY LIGHTING - SINGLE LEVEL VIA LIGHTING CONTROL PANEL

NOT TO SCALE



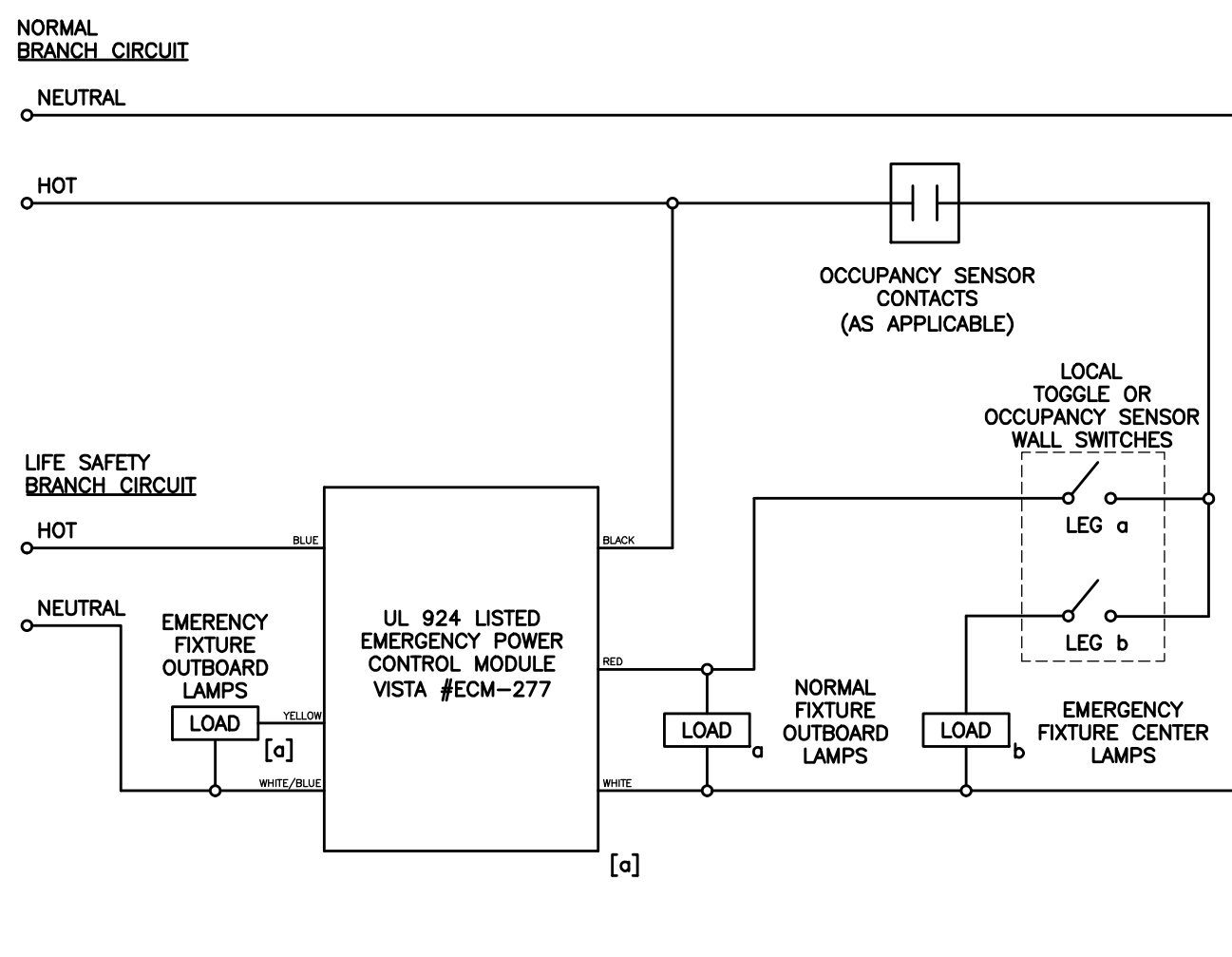
J12 EMERGENCY POWER CONTROL MODULE (EPC) SWITCHED LIFE SAFETY LIGHTING - SINGLE LEVEL VIA OCCUPANCY SENSOR

NOT TO SCALE



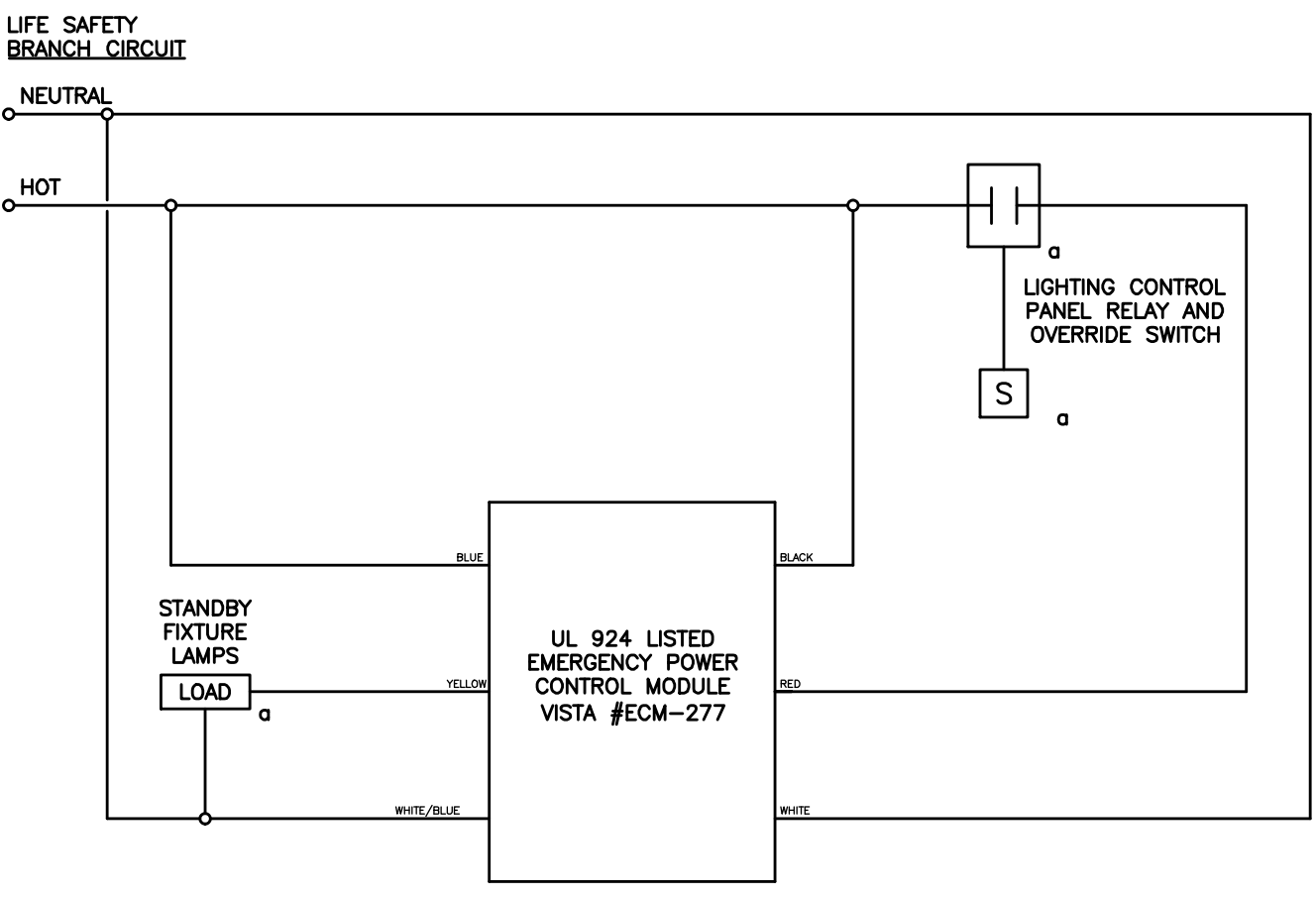
E8 EMERGENCY POWER CONTROL MODULE (EPC) SWITCHED LIFE SAFETY LIGHTING - DUAL LEVEL VIA LIGHTING CONTROL PANEL

NOT TO SCALE



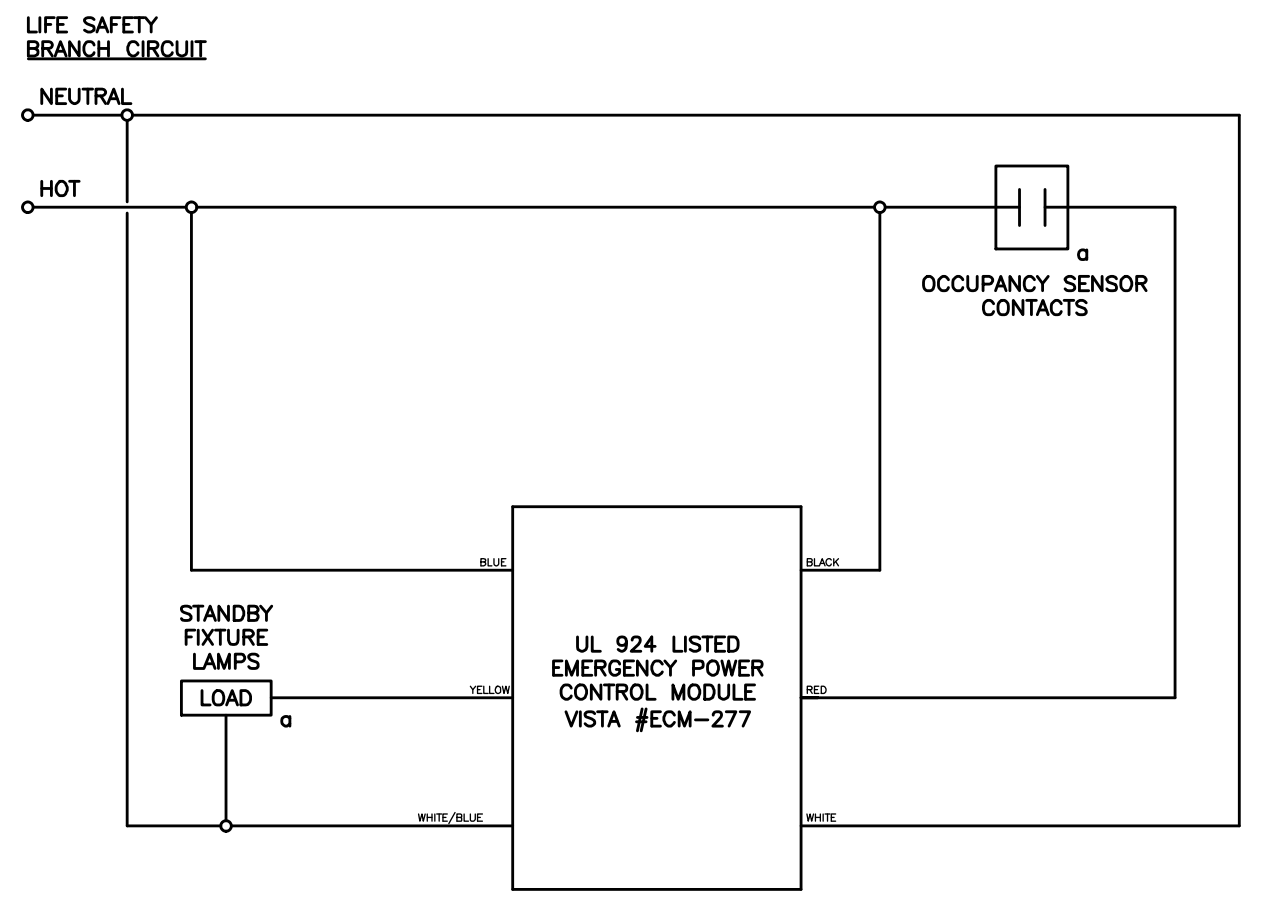
E12 EMERGENCY POWER CONTROL MODULE (EPC) SWITCHED LIFE SAFETY LIGHTING - DUAL LEVEL VIA OCCUPANCY SENSOR

NOT TO SCALE



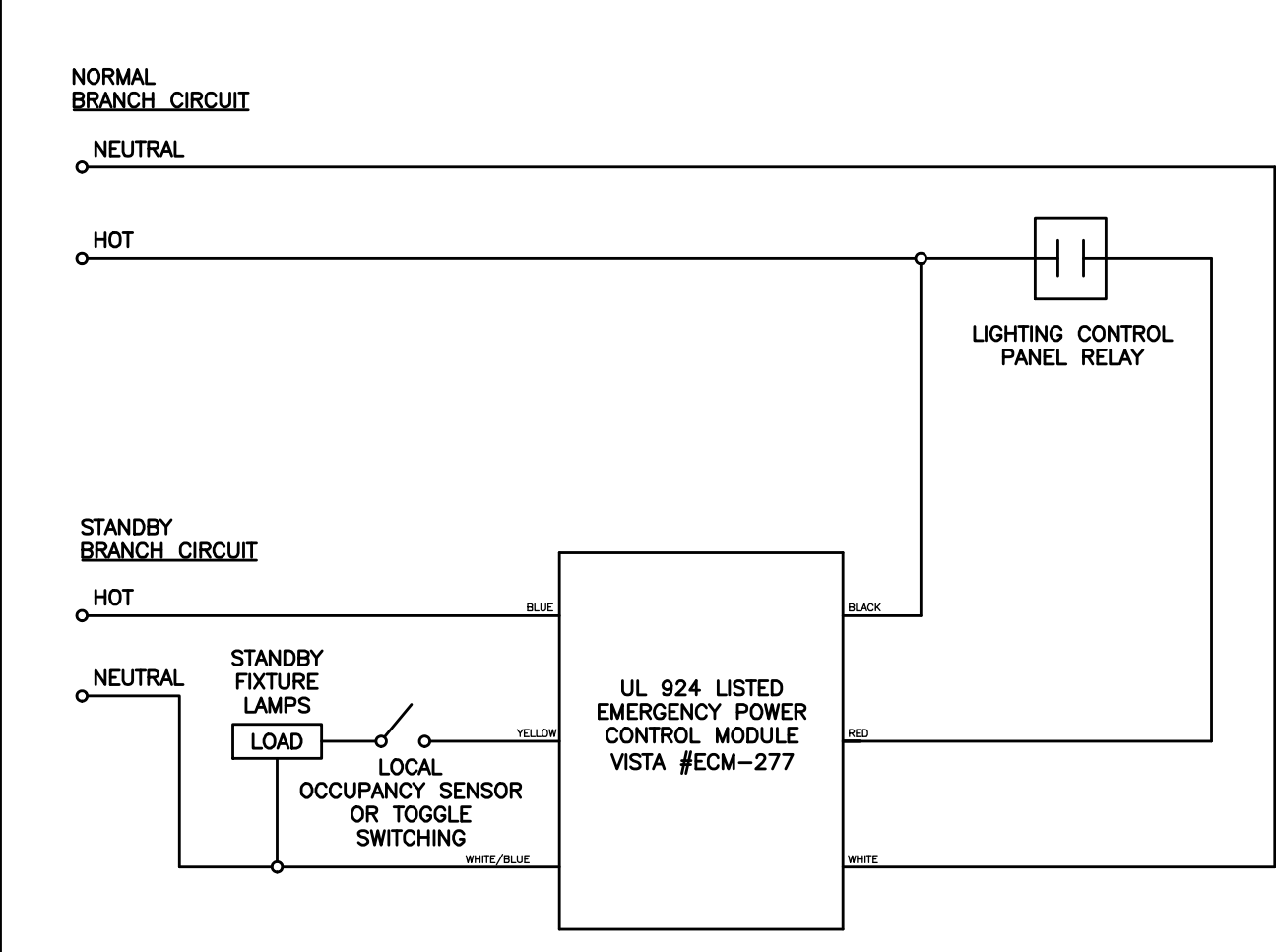
A1 EMERGENCY POWER CONTROL MODULE (EPC) SWITCHED LIFE SAFETY LIGHTING ONLY AREAS SINGLE LEVEL VIA LIGHTING CONTROL PANEL

NOT TO SCALE



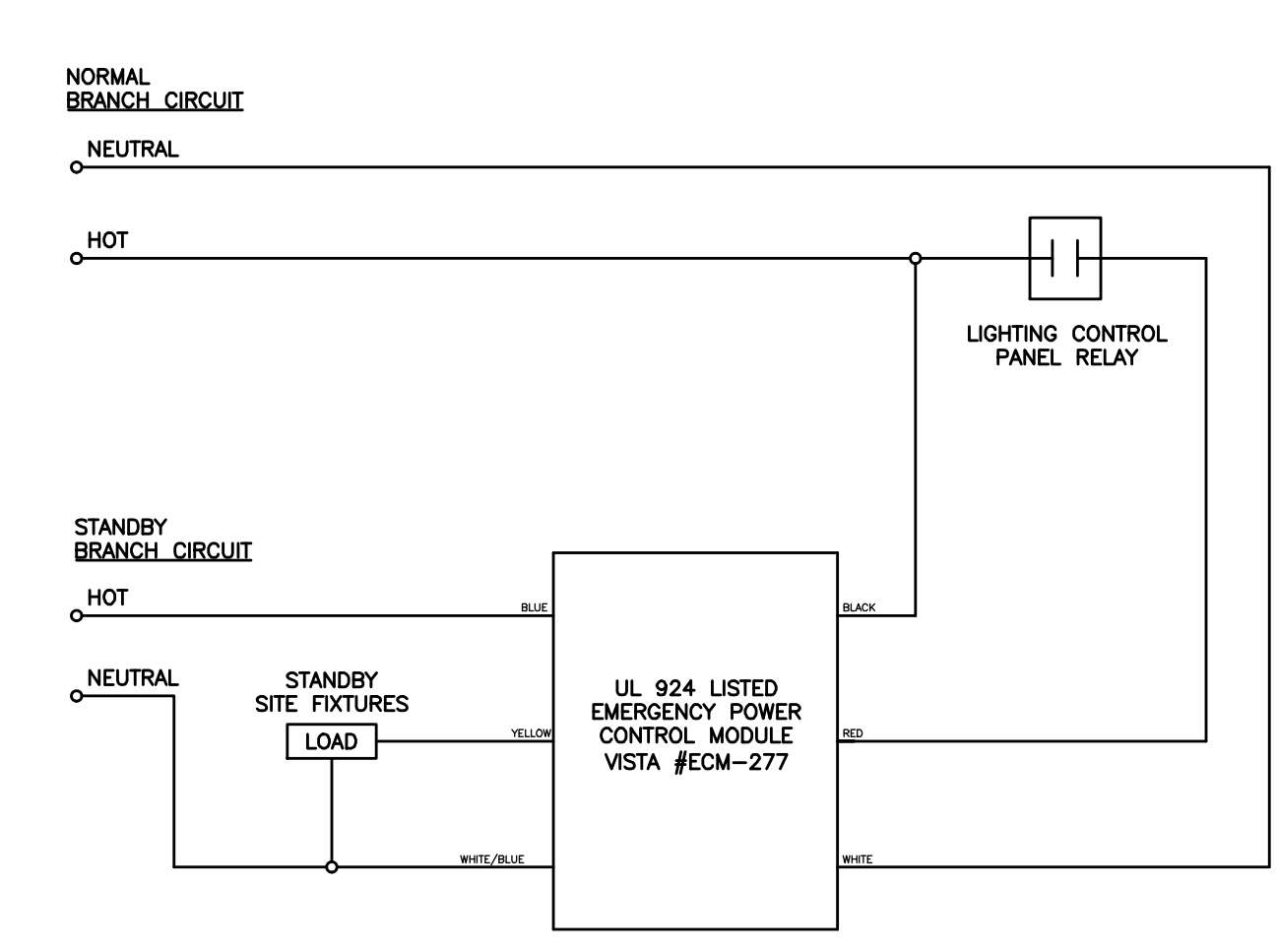
A5 EMERGENCY POWER CONTROL MODULE (EPC) SWITCHED LIFE SAFETY LIGHTING ONLY AREAS SINGLE LEVEL VIA OCCUPANCY SENSOR

NOT TO SCALE



A8 EMERGENCY POWER CONTROL MODULE (EPC) INTERIOR SWITCHED STANDBY LIGHTING VIA LIGHTING CONTROL PANEL

NOT TO SCALE



A12 EMERGENCY POWER CONTROL MODULE (EPC) EXTERIOR SWITCHED STANDBY LIGHTING VIA LIGHTING CONTROL PANEL

NOT TO SCALE



ARCHITECTURE ENGINEERING PLANNING
SMRT
144 Fore Street, P.O. Box 618
Portland, Maine 04104
tel. (207) 772-3846
fax. (207) 772-1070

PROJECT TITLE:
**MAINE TURNPIKE AUTHORITY
ADMINISTRATION BUILDING**
PORTLAND, MAINE
CURRENT ISSUE STATUS:
ISSUED FOR BIDDING/CONSTRUCTION
7-9-07

REV	DESCRIPTION	DATE
0	BIDDING/CONSTRUCTION	7-9-07

GRAPHIC SCALE:
0" 1"

SCALE: AS NOTED
PROJECT MANAGER: SLB
JC/DRAWN BY: TCM/CDS
A/E OF RECORD: JPP
CAD FILE: EL651-06016
PROJECT NO: 06016
DATE: 7-9-07

SHEET TITLE:
LIGHTING DETAILS
SHEET No. **EL651**
© Copyright 2007 SMRT Inc.