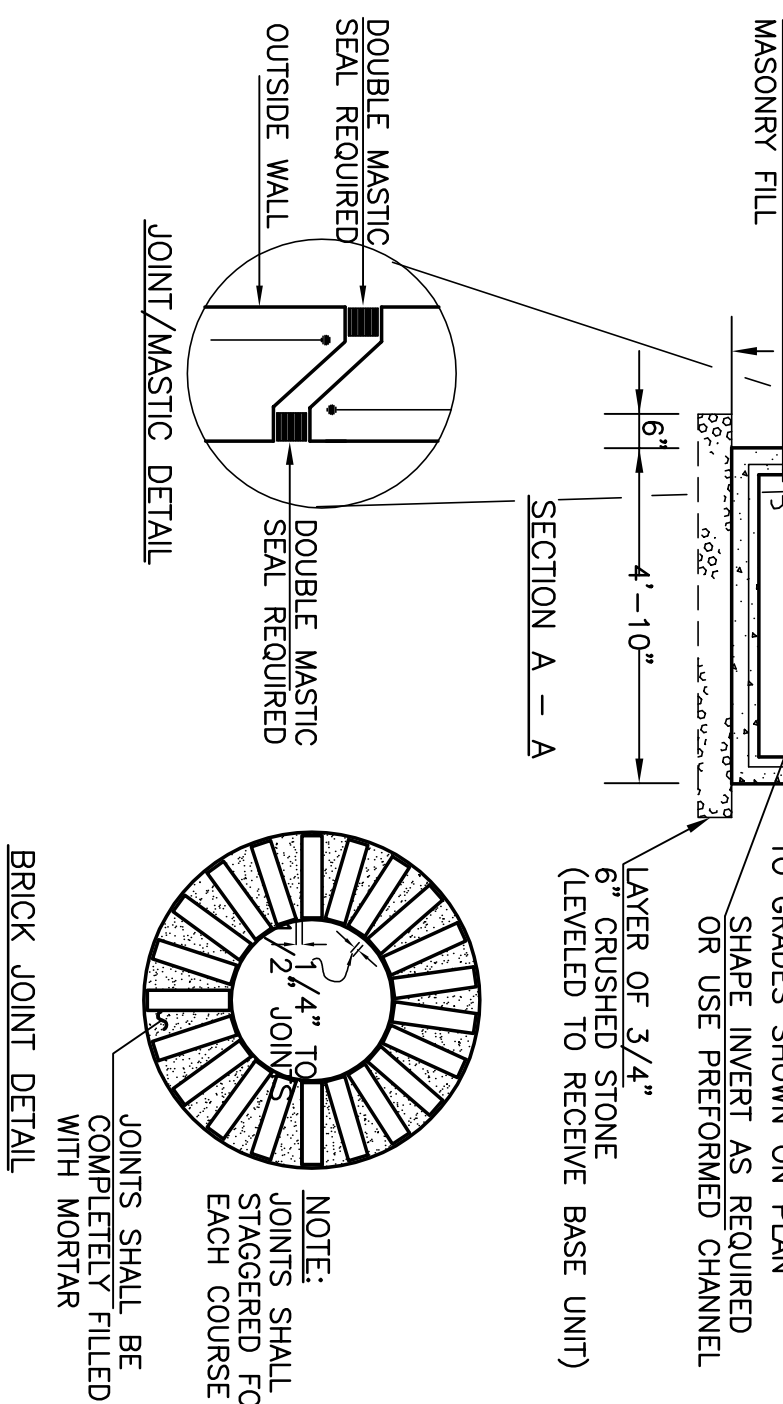
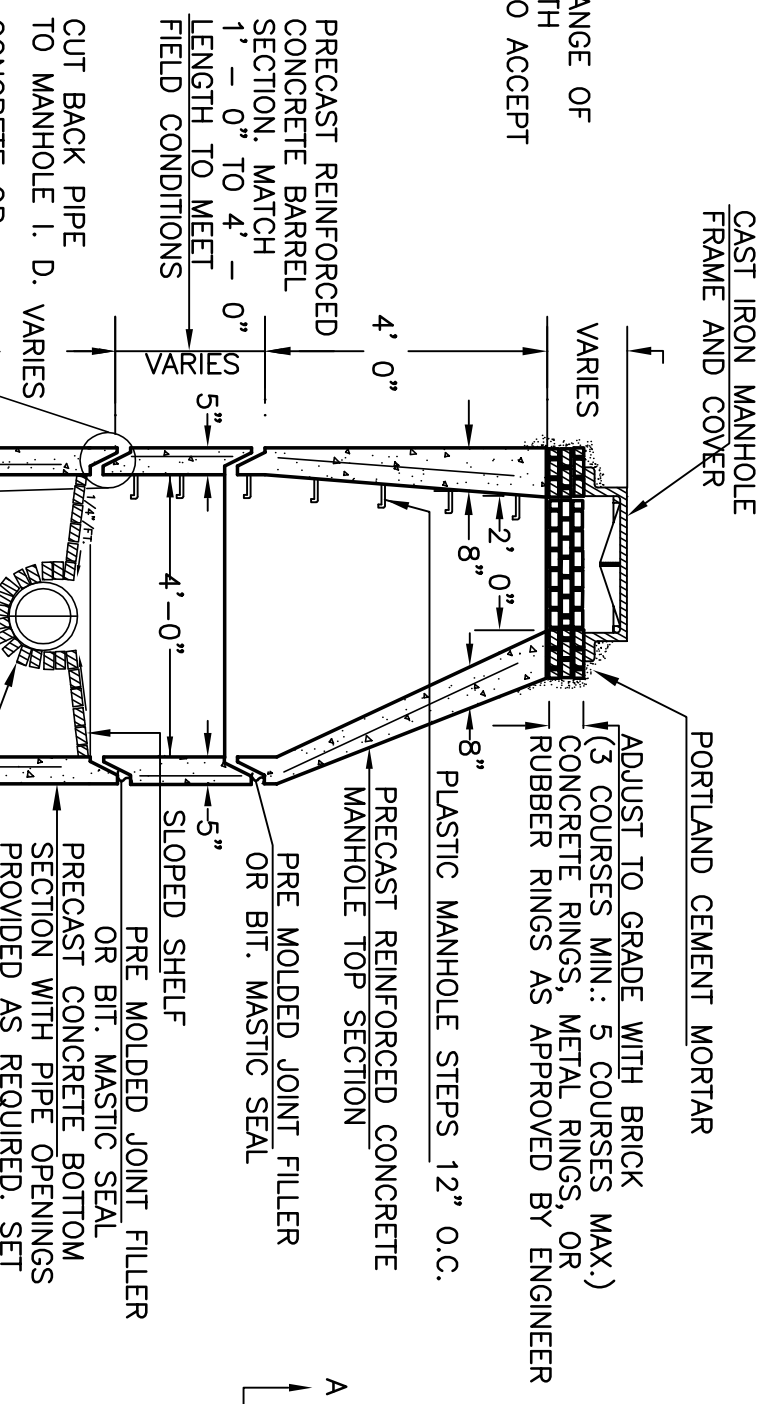
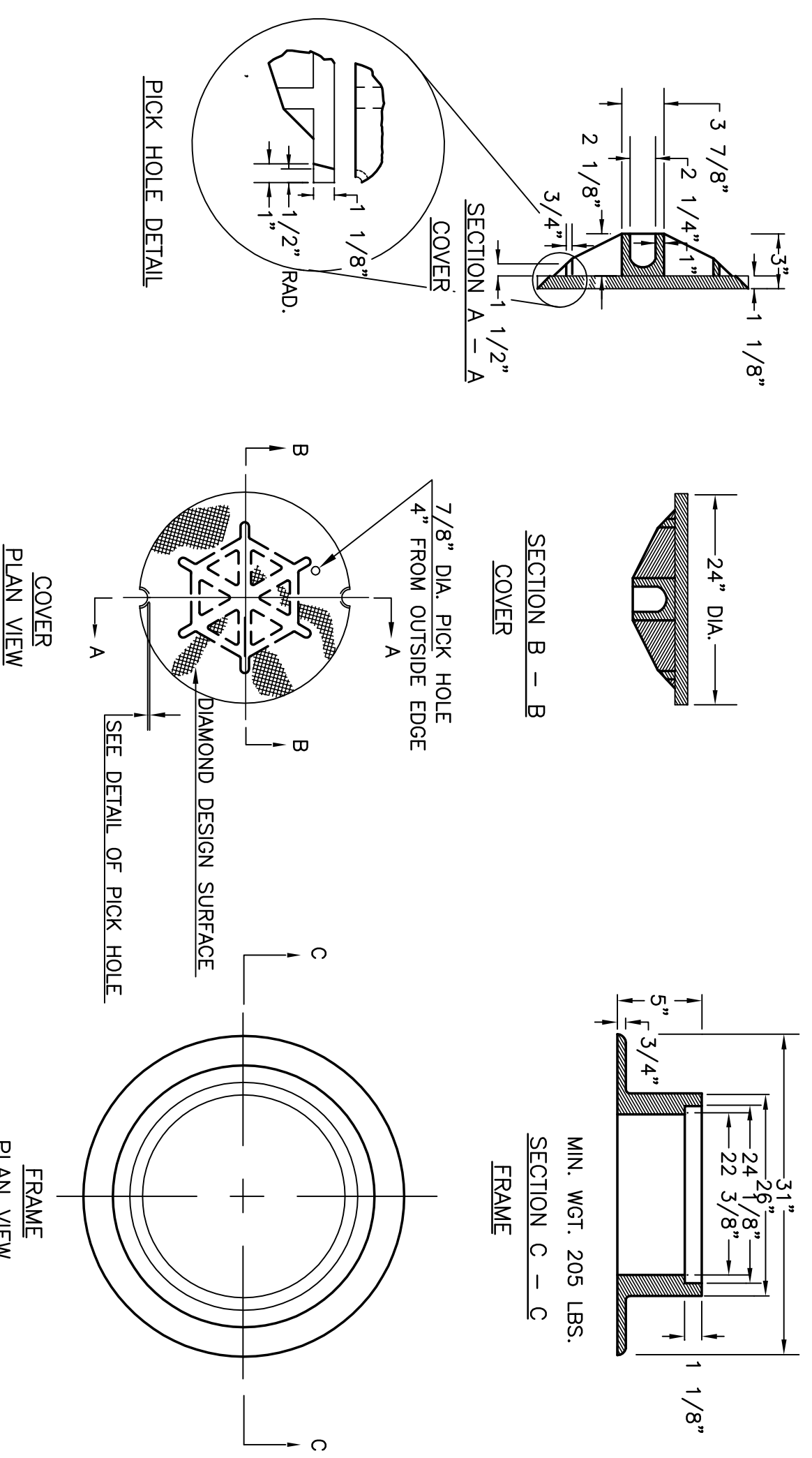


MANHOLE	COORDINATES	
	NORTHING	EASTING
SMH 1 (EXISTING)	297953.5395	2907095.4069
SMH 2	297965.2958	2907371.0969
SMH 3	297970.3011	2907503.0420
SMH 4	297758.3340	2907525.5049

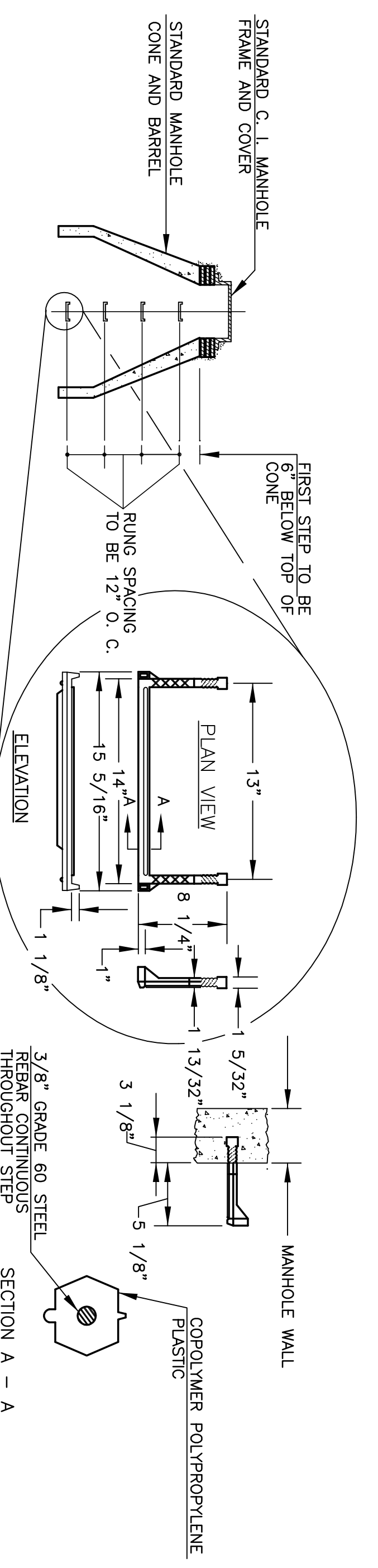
NOTE:  
MANHOLE CHANNELS REQUIRING CHANGE OF ALIGNMENT, TO BE BUILT ON SMOOTH RADIUS CHANNEL PIPES. ADDITIONAL INLET PIPES.



1 TYPICAL SECTION  
N.T.S.



2 TYPE "A" CAST IRON MANHOLE COVER AND FRAME  
N.T.S.



3 PLASTIC MANHOLE STEPS  
N.T.S.

PREPARED BY:  
**HNTB**  
ARCHITECTURE ENGINEERING PLANNING  
SMRT  
144 Fore Street/P.O. Box 618  
Portland, Maine 04104  
tel. (207) 772-3846  
fax. (207) 772-1070

HNTB CORP.  
2 THOMAS DRIVE  
WESTBROOK, ME  
04092

PROJECT TITLE:  
**MAINE TURNPIKE AUTHORITY  
ADMINISTRATION BUILDING  
PORTLAND, MAINE**

**ISSUED FOR BIDDING/CONSTRUCTION  
7-9-07**

REV	DESCRIPTION	DATE
1	ISSUED FOR CITY REVIEW	5-03-07

SCALE: AS NOTED  
PROJECT MANAGER: GMB  
JC/DRAWN BY: MPC  
A/E OF RECORD: GMB  
CAD FILE: X  
PROJECT NO.: 2007.07  
DATE: 09/07

SHEET TITLE:  
**SEWER DETAILS  
SHEET 2**

SHEET No. **CU203**