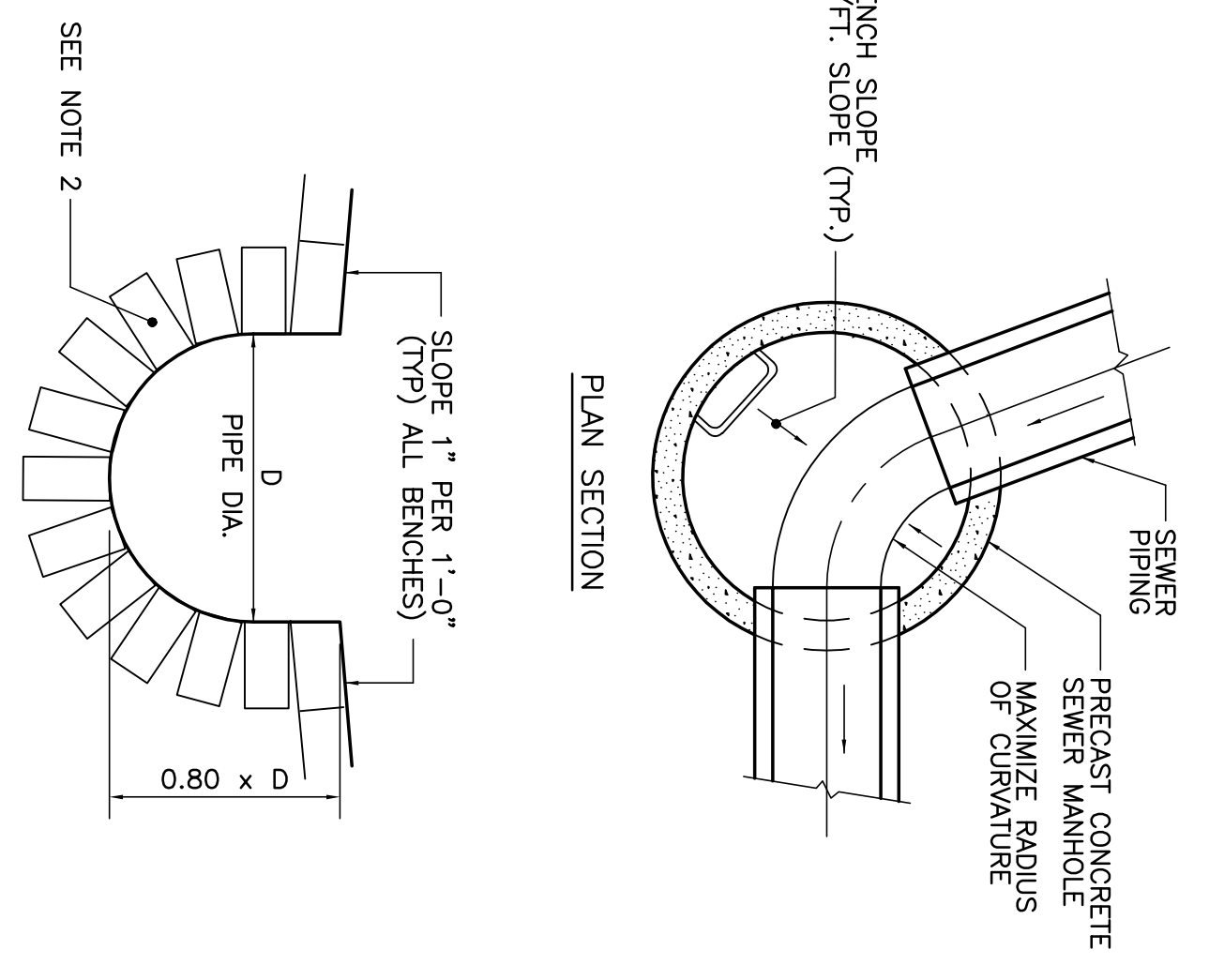


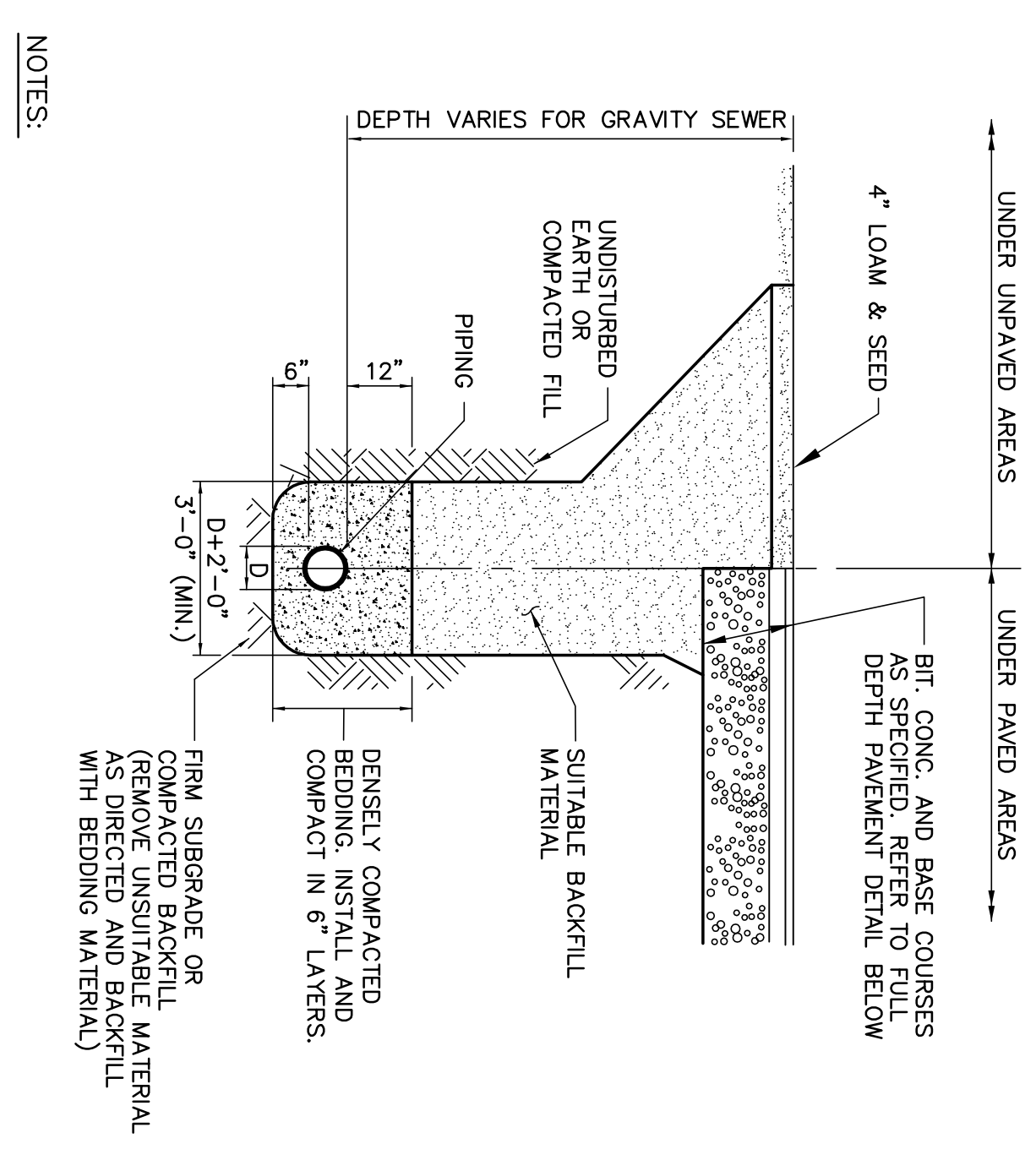
1 MASONRY PLUG DETAIL
N.T.S.

NOTE: USE CAP OR PLUG FOR PVC PIPE



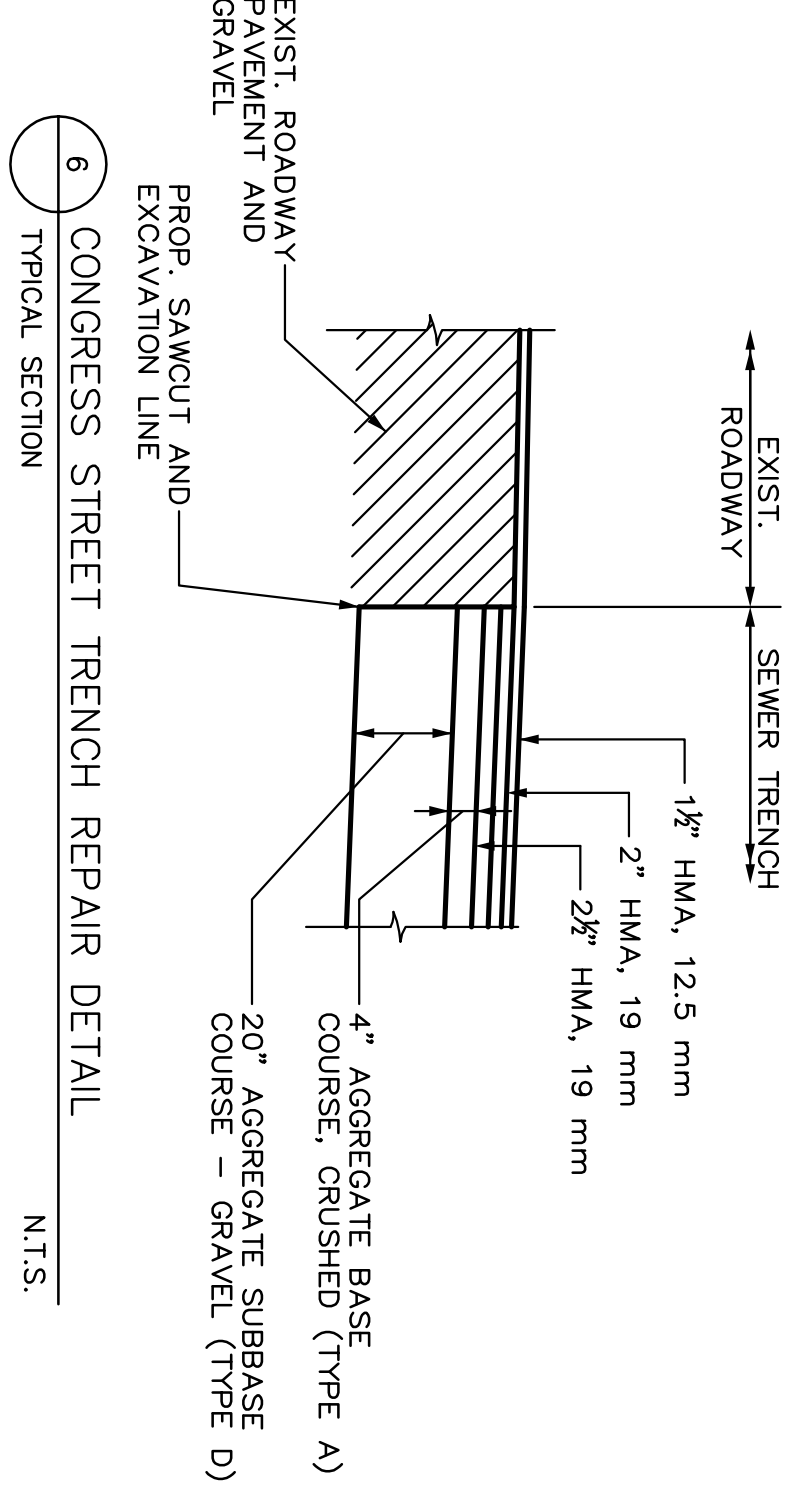
2 MANHOLE INVERT CHANNEL
N.T.S.

NOTES:
1. CHANNEL SHALL BE SMOOTH, WITH UNIFORM SECTIONS, RADIUS AND SLOPE.
2. CHANNEL TO BE INVERTED ARCH FORMED FROM SEWER BRICK PER ASTM C32, GRADE SM.

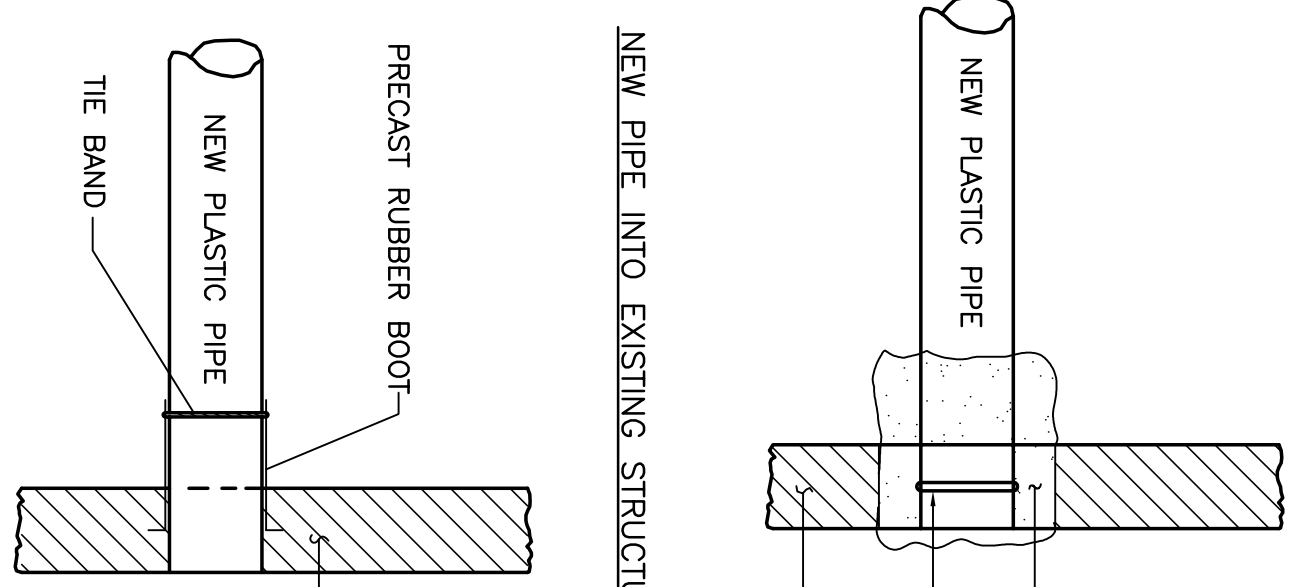


3 PIPE TRENCH
TYPICAL SECTION
N.T.S.

NOTES:
1. GRANULAR BEDDING SHALL BE COMPACTED TO A MINIMUM 95% STANDARD PROCTOR DENSITY. USE HAND TAMPERS OR VIBRATORY COMPACTORS.
2. FILTER FABRIC SHALL BE INSTALLED AGAINST THE TRENCH WALLS IN THE HAUNCHING AND BEDDING ZONES WHEN FINE SANDS, SILT, CLAY, OR ORGANIC MATERIALS ARE ENCOUNTERED AT THE TRENCH BOTTOM.
3. CONTRACTOR SHALL SHORE TRENCH SIDES WHEN REQUIRED OR AS ORDERED BY THE ENGINEER.

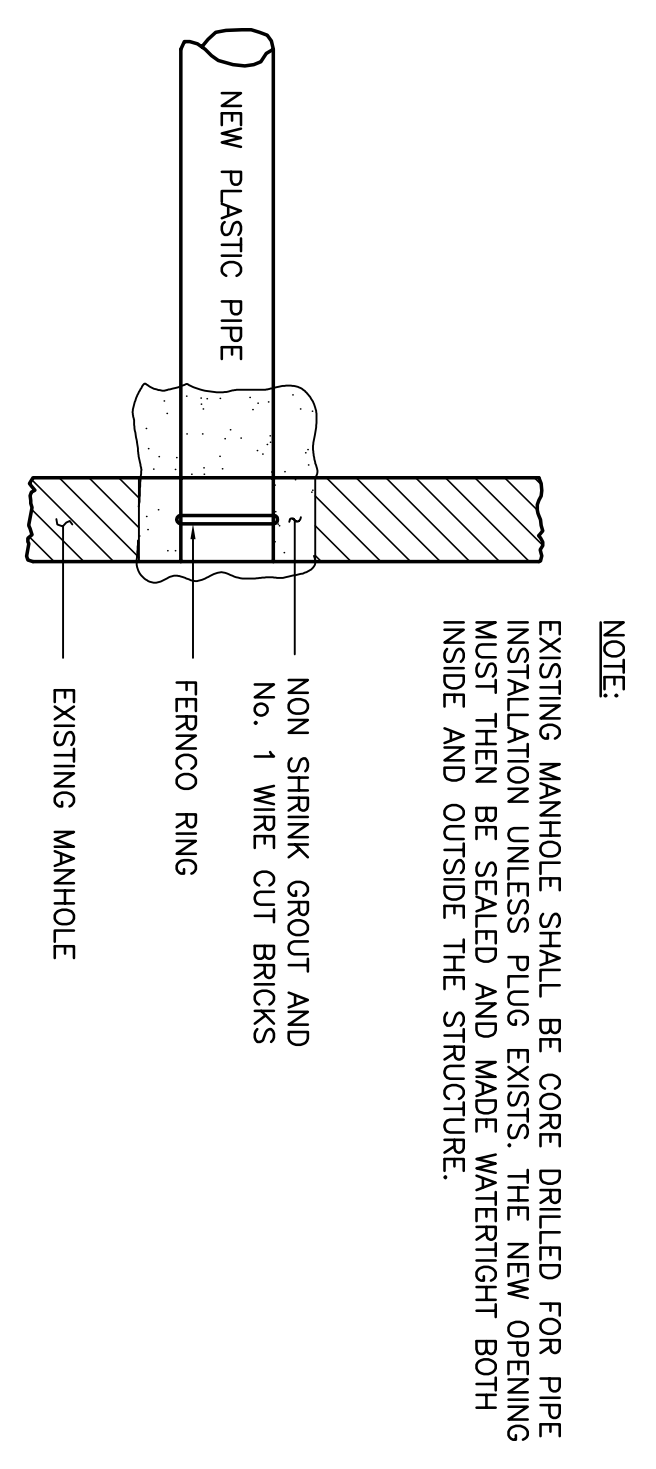


6 CONGRESS STREET TRENCH REPAIR DETAIL
TYPICAL SECTION
N.T.S.

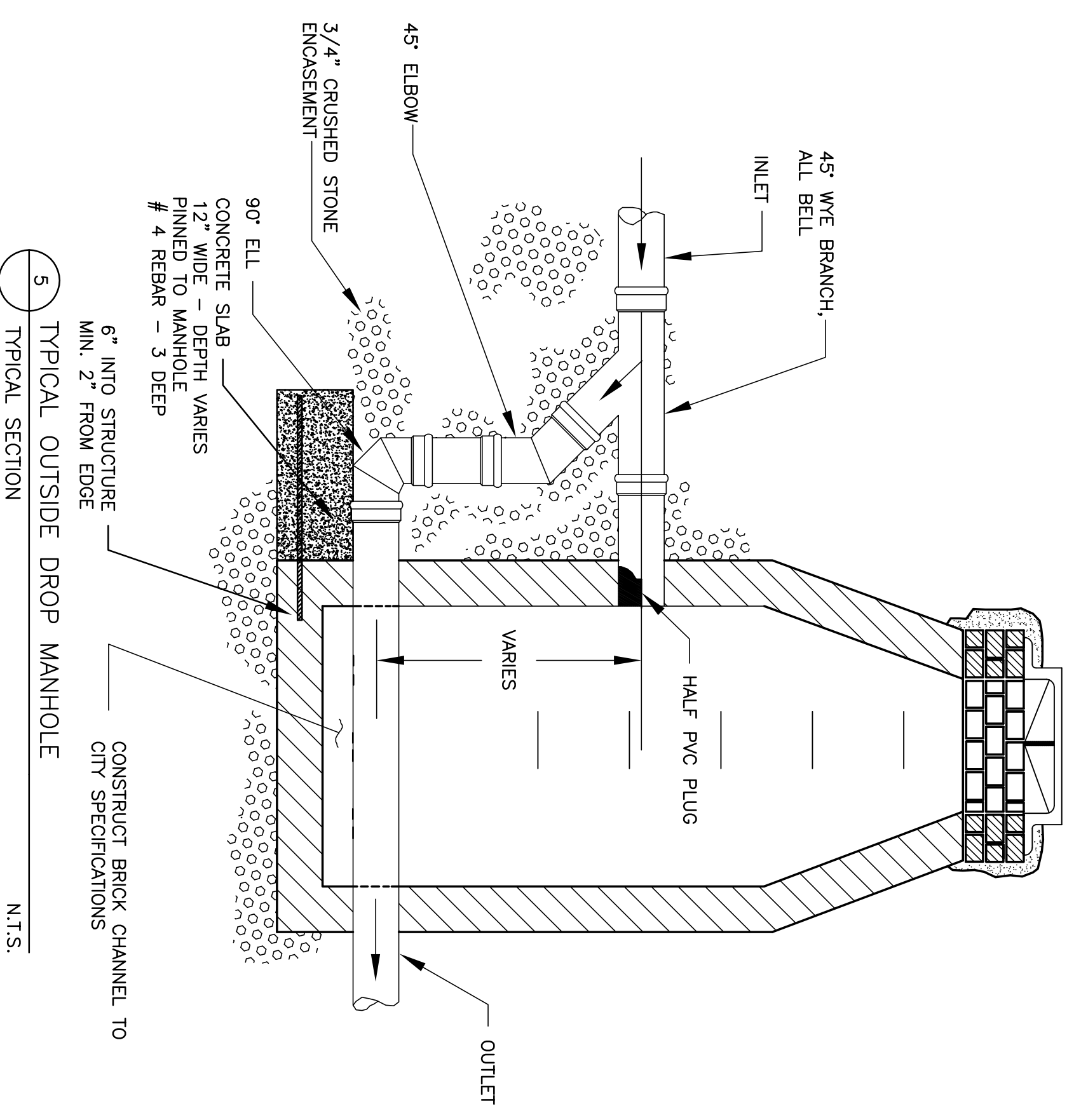


4 PIPE CONNECTION DETAIL
N.T.S.

NOTE: REMOVE WATERPROOFING FROM EXISTING MANHOLE BEFORE SETTING NEW PIPE. WATERPROOF AGAIN AFTER MORTAR HAS SET.



NOTE:
EXISTING MANHOLE SHALL BE CORE DRILLED FOR PIPE INSTALLATION. ALL PIPE EXPOSED TO THE OPENING MUST BE SEALED AND MADE WATER TIGHT BOTH INSIDE AND OUTSIDE THE STRUCTURE.



5 TYPICAL OUTSIDE DROP MANHOLE
TYPICAL SECTION
N.T.S.

PREPARED BY:
HNTB
ARCHITECTURE ENGINEERING PLANNING
SMRT
144 Fore Street/P.O. Box 618
Portland, Maine 04104
tel. (207) 772-3846
fax. (207) 772-1070

HNTB CORP.
2 THOMAS DRIVE
WESTBROOK, ME
04092

SMRT-logo-black.tif

PROJECT TITLE:
**MAINE TURNPIKE AUTHORITY
ADMINISTRATION BUILDING**
PORTLAND, MAINE

**ISSUED FOR BIDDING/CONSTRUCTION
7-9-07**

REV	DESCRIPTION	DATE
1	ISSUED FOR CITY REVIEW	5-03-07

SHEET TITLE:
**SEWER DETAILS
SHEET 1**

SHEET No. **CU202**

SCALE:	AS NOTED
PROJECT MANAGER:	GAB
JC/DRAWN BY:	MPC
A/E OF RECORD:	GAB
CAD FILE:	X
PROJECT NO.:	2007.07
DATE:	09/07

GRAPHIC SCALE:
0' 1'