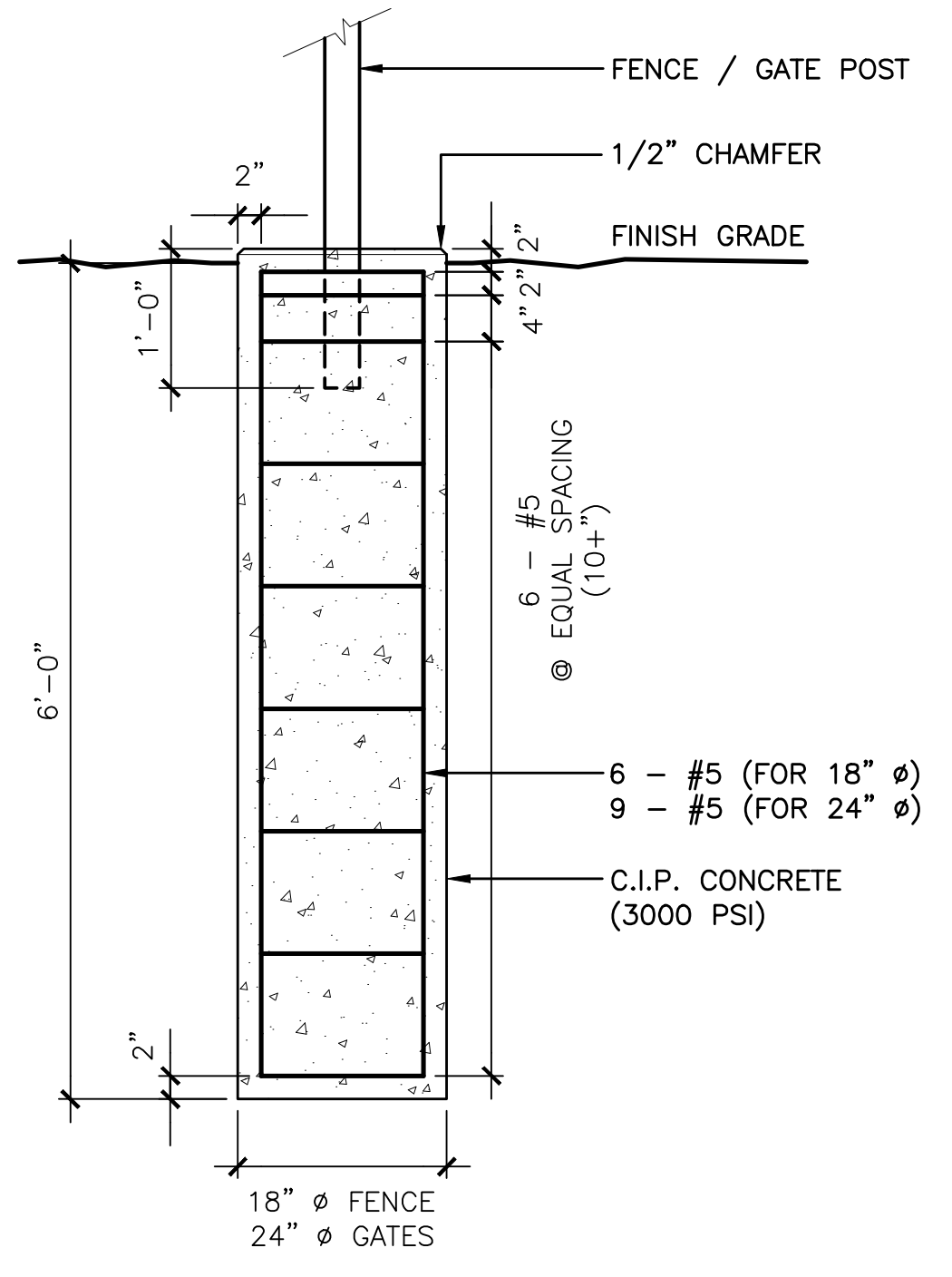


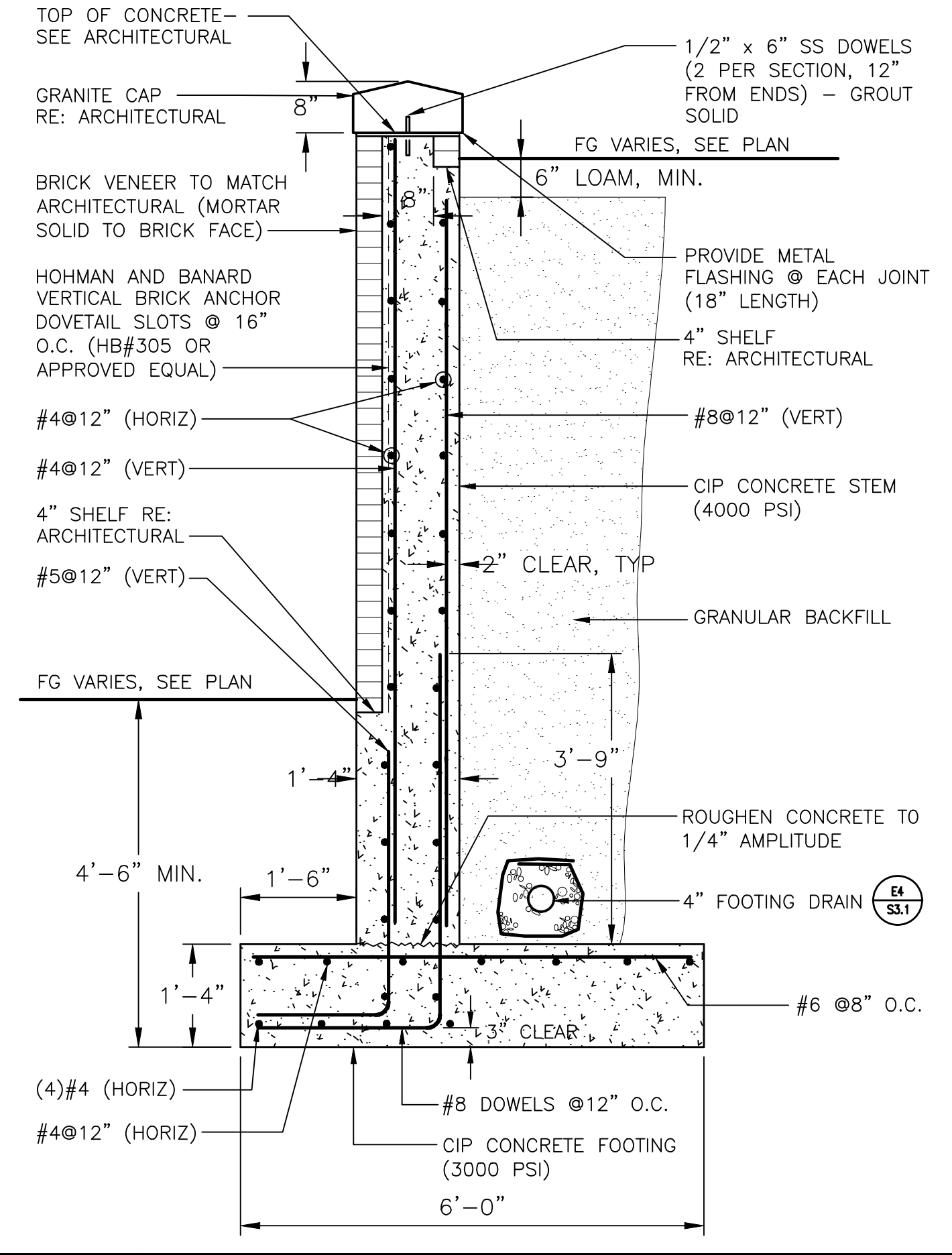
G1 GRANITE STEP AND RAIL DETAIL

NTS * *



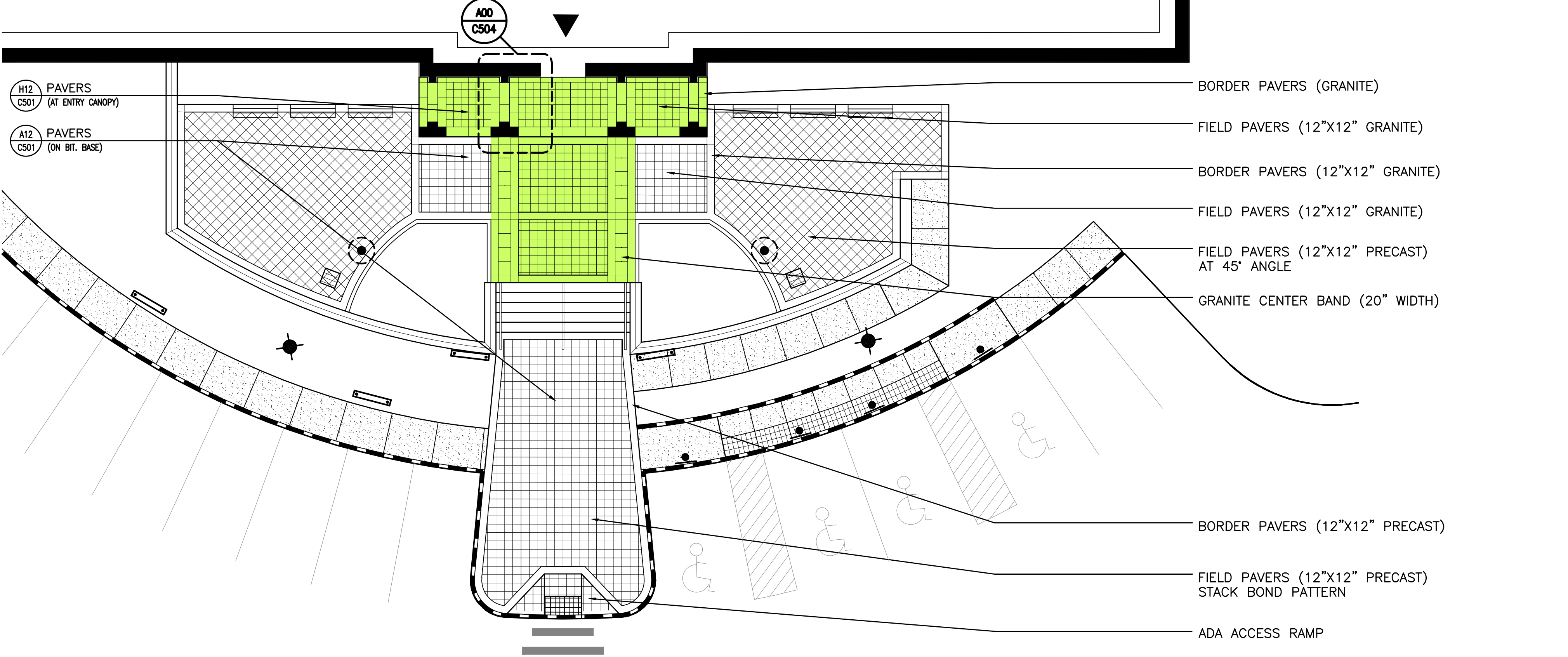
F7 METAL SCREEN FENCE & GATE BASE DETAIL

NTS CP202



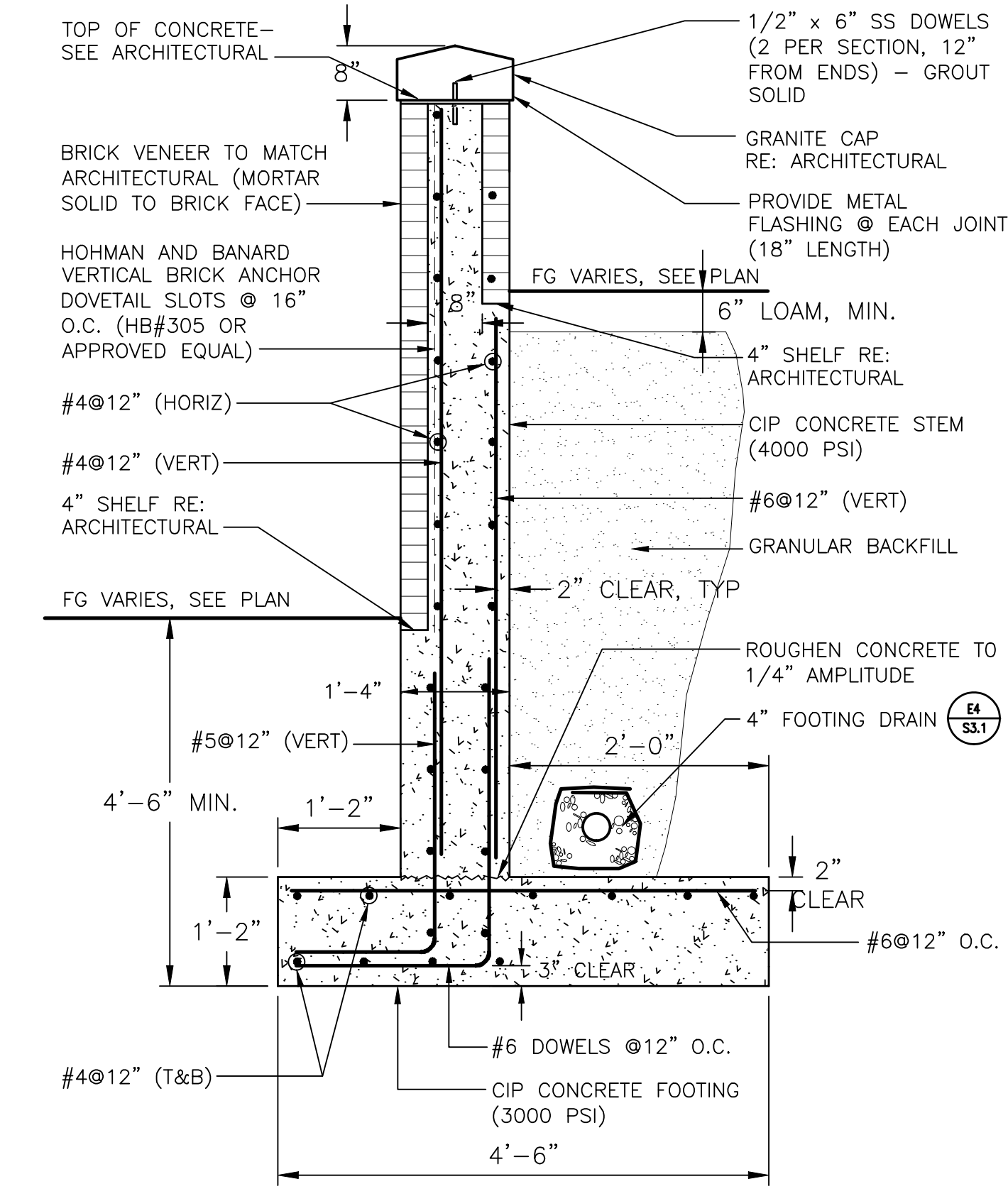
F12 RETAINING WALL (OVER 4' HEIGHT)

NTS *



A1 PAVING DETAIL AT FRONT ENTRY

1" = 10'



A12 RETAINING WALL (UNDER 4' HEIGHT)

NTS *



ARCHITECTURE ENGINEERING PLANNING
SMRT
144 Fore Street P.O. Box 618
Portland, Maine 04104
tel. (207) 772-3846
fax. (207) 772-1070

PROJECT TITLE:
**MAINE TURNPIKE AUTHORITY
ADMINISTRATION BUILDING**
PORTLAND, MAINE
ISSUED FOR BIDDING/CONSTRUCTION
7-9-07

REV	DESCRIPTION	DATE

GRAPHIC SCALE:
0" 1"
SCALE: SHOWN
PROJECT MANAGER: SLB
JC/DRAWN BY: TCM/PAF
A/E OF RECORD: MCG
CAD FILE: 06016-C504
PROJECT NO: 06016
DATE: 7-9-07
SHEET TITLE:
SITE DETAILS
SHEET No. **C504**