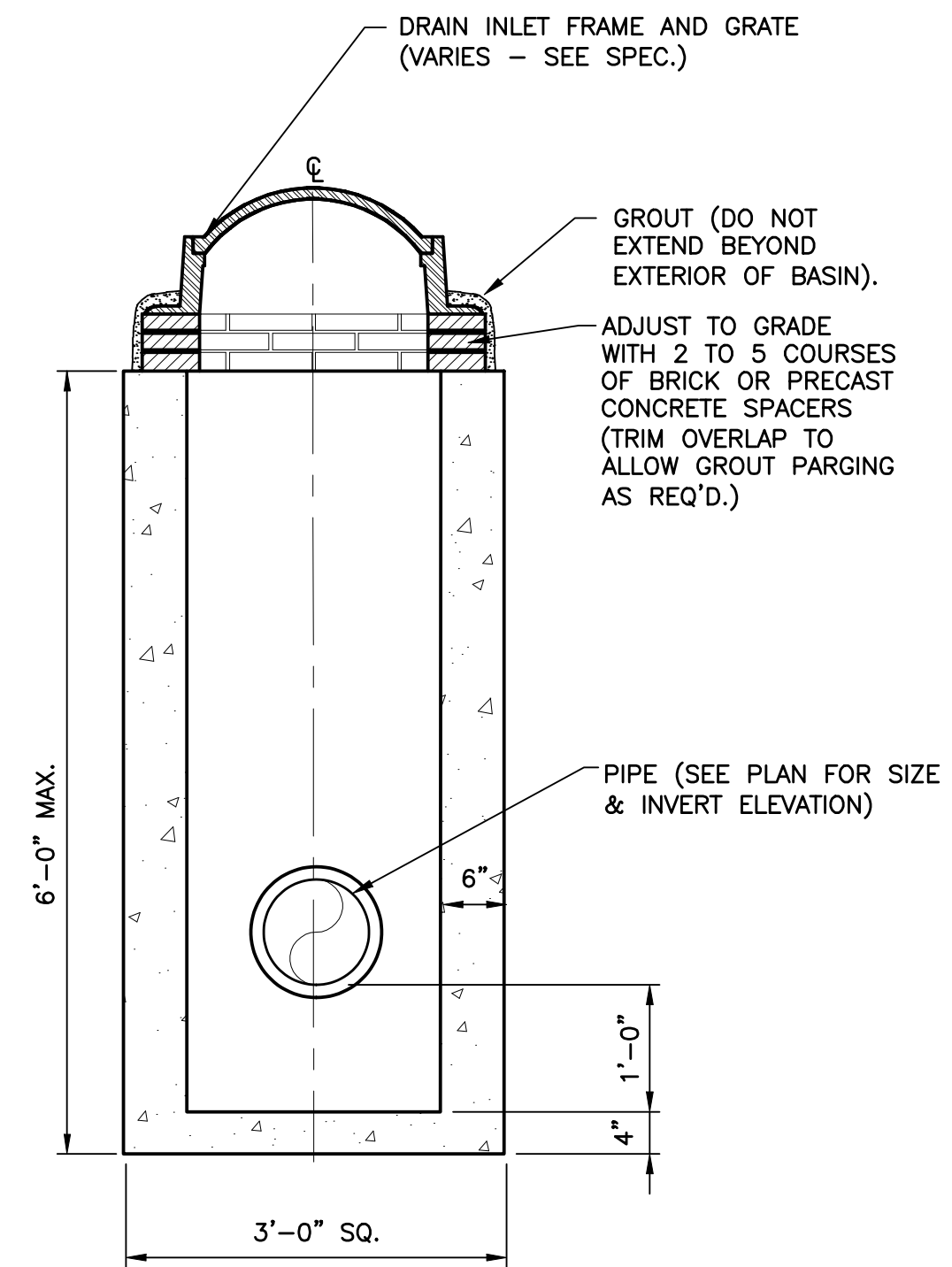


G1 CONCRETE STAIRS

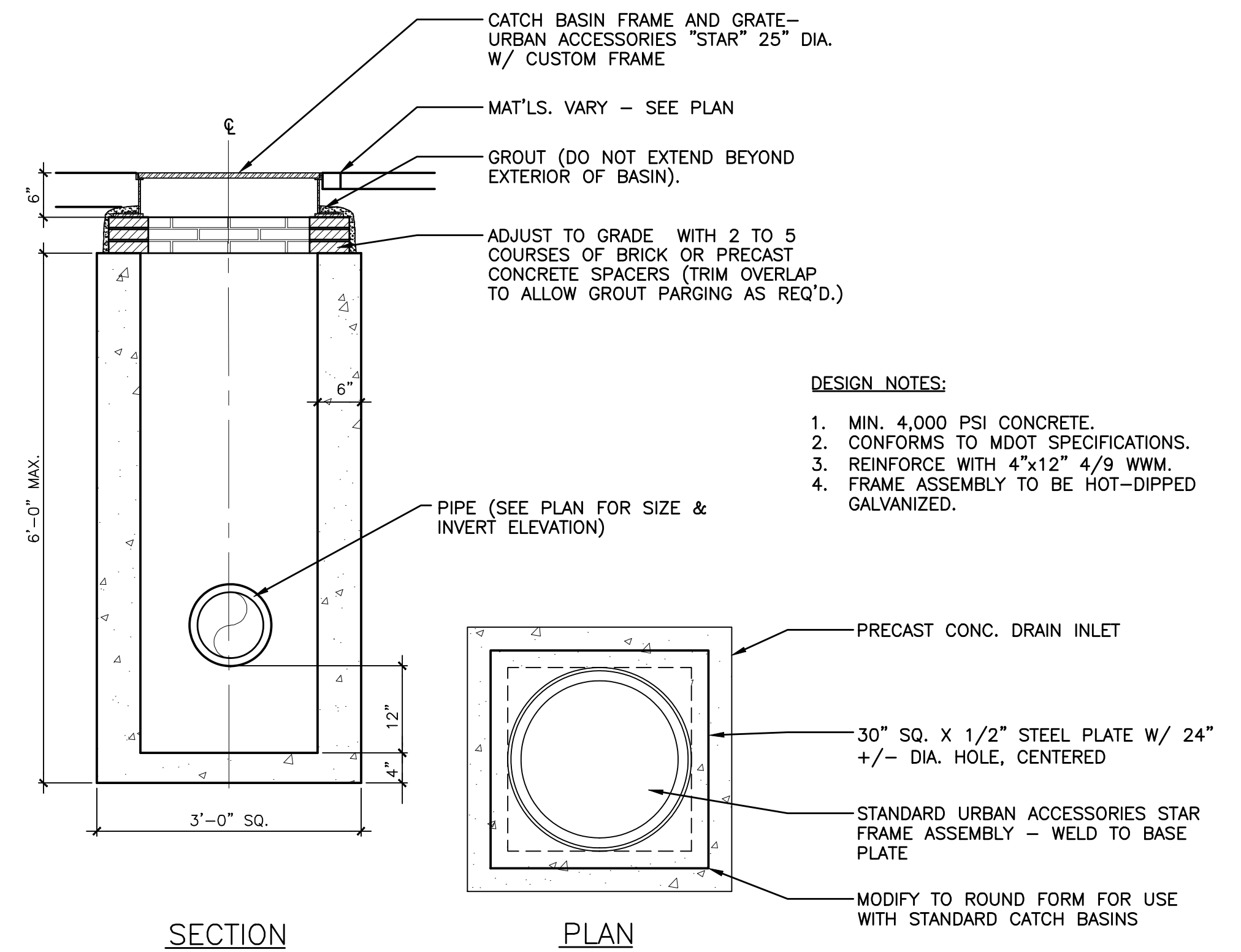
NTS CP201



- DESIGN NOTES:**
1. MIN. 4,000 PSI CONCRETE.
 2. CONFORMS TO MDOT SPECIFICATIONS.
 3. REINFORCE WITH 4"x12" 4/9 WWM.

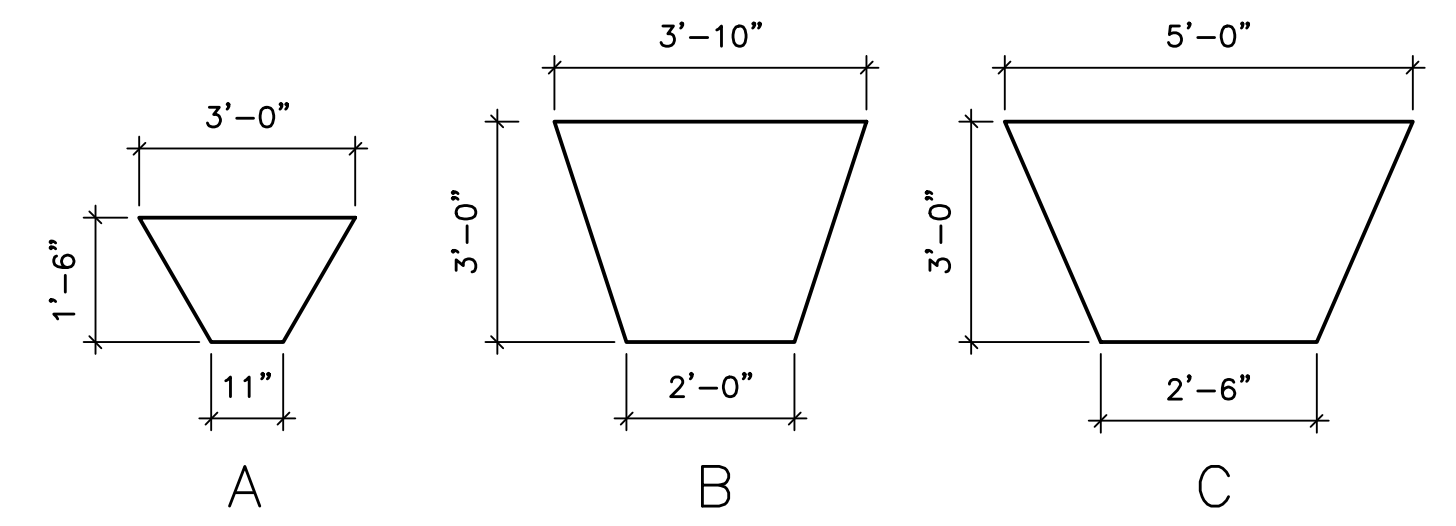
G7 DRAIN INLET DETAIL

NTS *



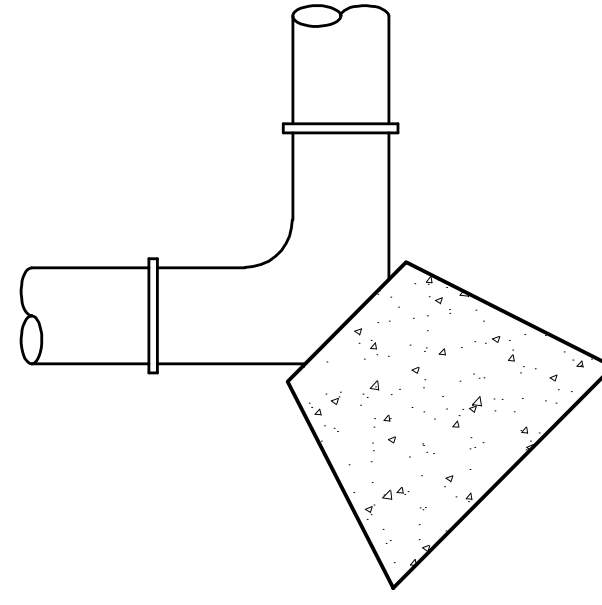
- DESIGN NOTES:**
1. MIN. 4,000 PSI CONCRETE.
 2. CONFORMS TO MDOT SPECIFICATIONS.
 3. REINFORCE WITH 4"x12" 4/9 WWM.
 4. FRAME ASSEMBLY TO BE HOT-DIPPED GALVANIZED.

- NOTES:**
1. POUR EACH BLOCK TO BEAR ON SUITABLE UNDISTURBED SOIL.
 2. UNSUITABLE OR DISTURBED SOIL SHALL BE REMOVED AND REPLACED WITH APPROVED CRUSHED STONE OR GRAVEL AND COMPACTED TO 95% MAX. DRY DENSITY.
 3. DO NOT ENCASE OR OTHERWISE OBSTRUCT MECHANICAL JOINTS AND APPURTENANCES WITH CONCRETE.
 4. PRE-CAST CONCRETE THRUST BLOCKS MAY BE USED WITH PRIOR APPROVAL.
 5. THE BLOCK SIZES SHOWN ARE MINIMUM. REQUIREMENTS OF UTILITY AUTHORITY HAVING JURISDICTION SHALL APPLY TO ALL ASPECTS OF WATER SUPPLY INSTALLATION.



TYPICAL USES

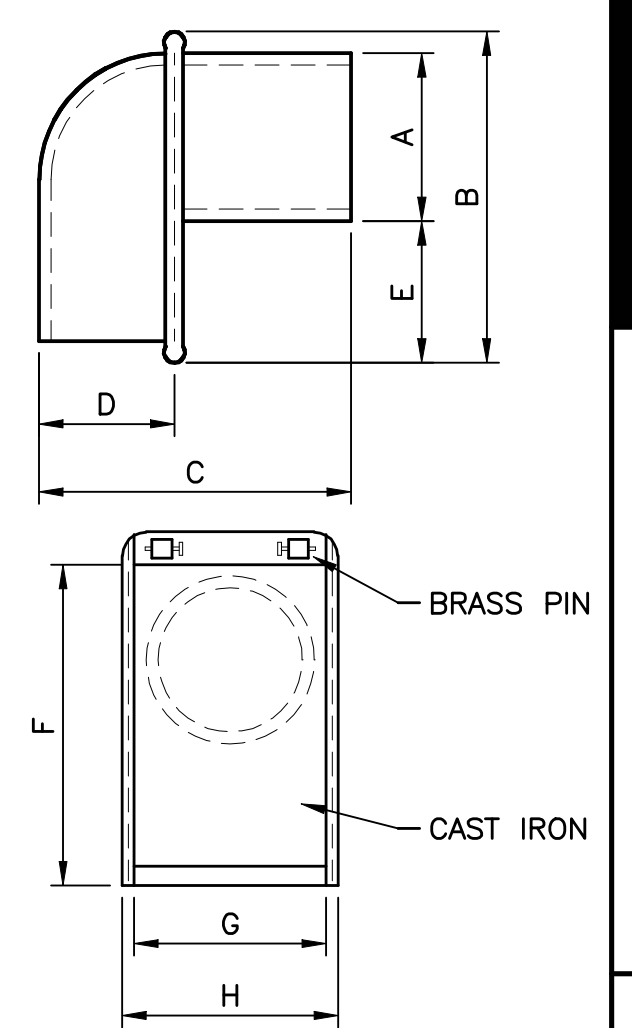
PIPE SIZES	4" & 6"	8"	10"	12"
90° BEND	A	B	C	C
45° BEND	A	A	B	B
22.5° BEND	A	A	A	A
BEND	A	A	A	A
END/TEE	A	B	B	C



A1 THRUST BLOCKS DETAIL

NTS *

SIZE	A	B	C	D	E	F	G	H
12 in.	11-1/2"	17"	22"	8"	5 1/2"	17"	12-1/2"	13 3/8"
15 in.	14-1/2"	21-3/4"	22-3/4"	10-1/4"	7"	20-1/2"	14-3/4"	15-3/4"

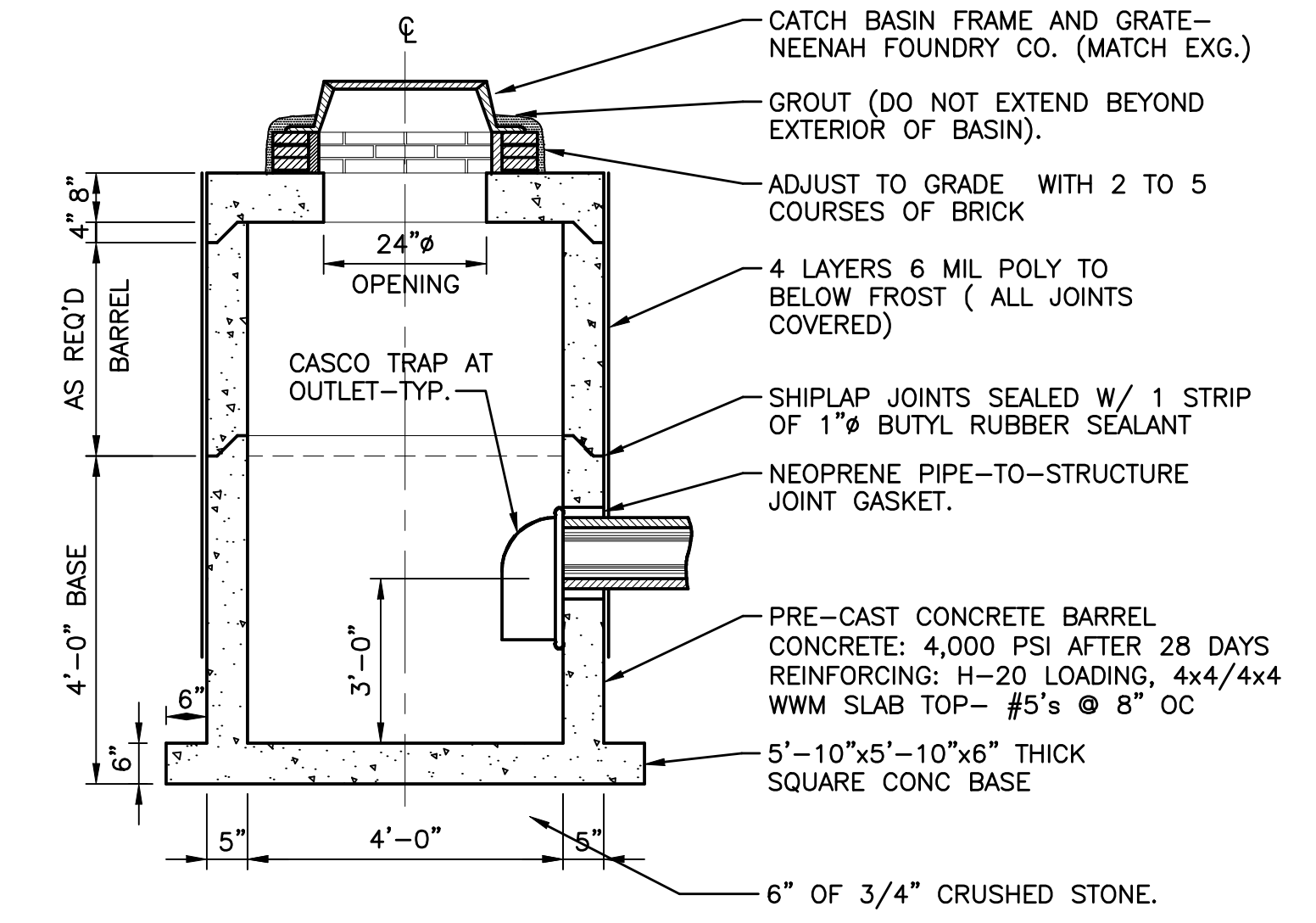


J11 CASCO TRAP

NTS *

E11 *

NTS *



A11 CATCH BASIN DETAIL

NTS *

PROJECT TITLE:

REV	DESCRIPTION	DATE
0	ISSUED FOR PERMITTING	1-16-07

GRAPHIC SCALE: 0" = 1"

SCALE: SHOWN

PROJECT MANAGER: SLB

JC/DRAWN BY: TCM/PAF

A/E OF RECORD: MGJ

CAD FILE: 06016-C503

PROJECT NO: 06016

DATE: 7-9-07

SHEET TITLE:

SITE DETAILS