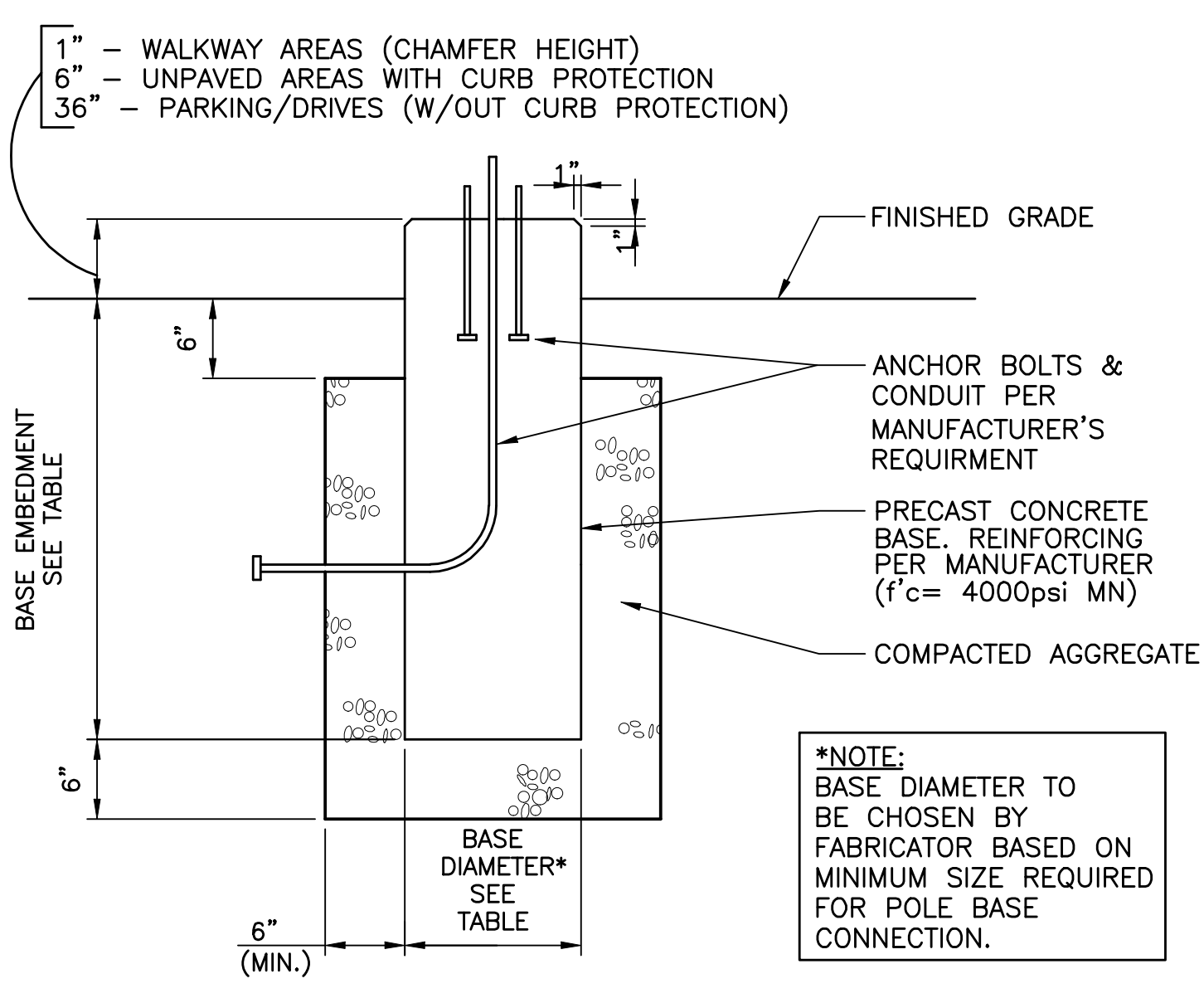
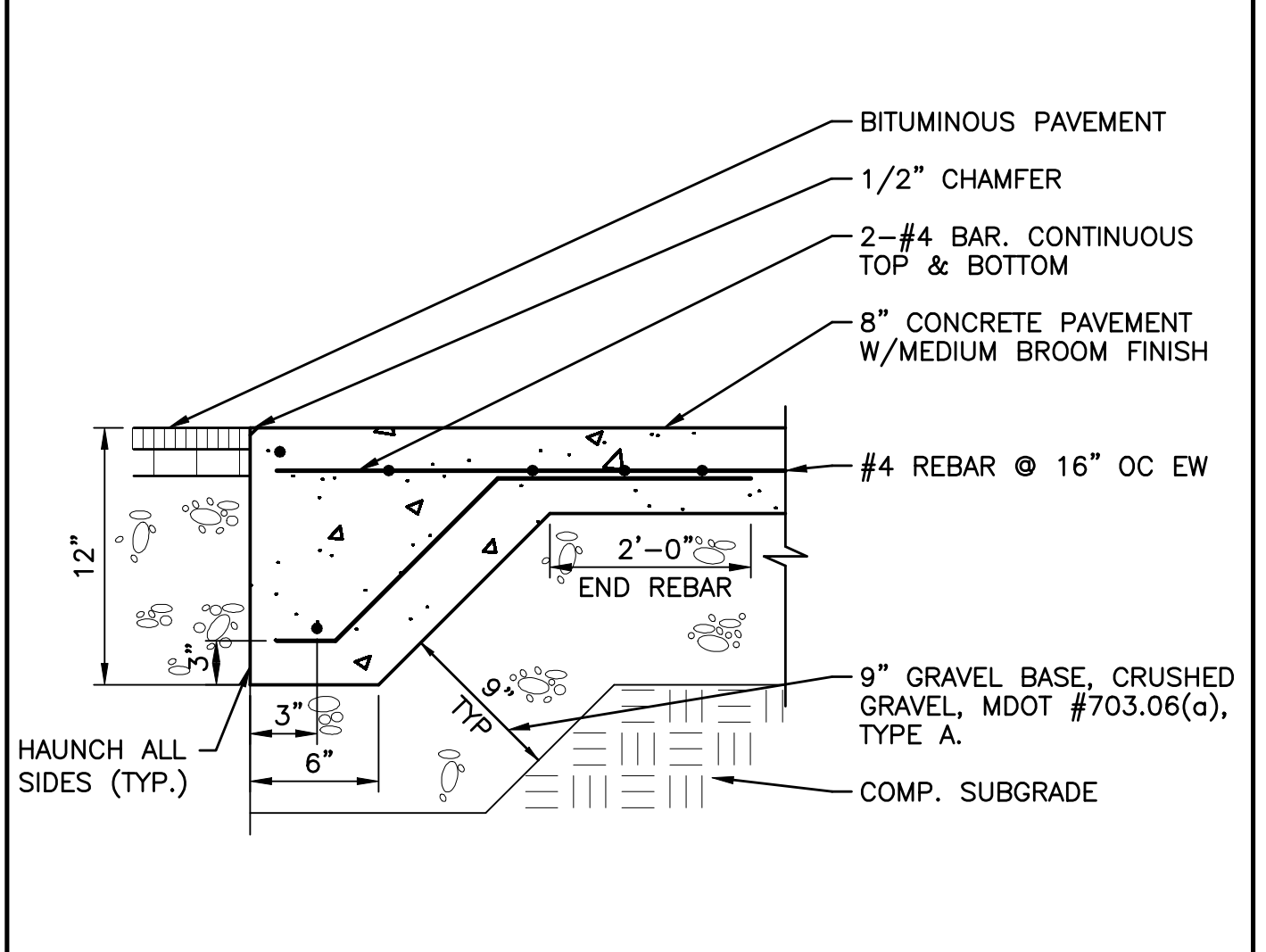


**G1 BOLLARD SIGN DETAIL**  
 NTS CP201, CP202

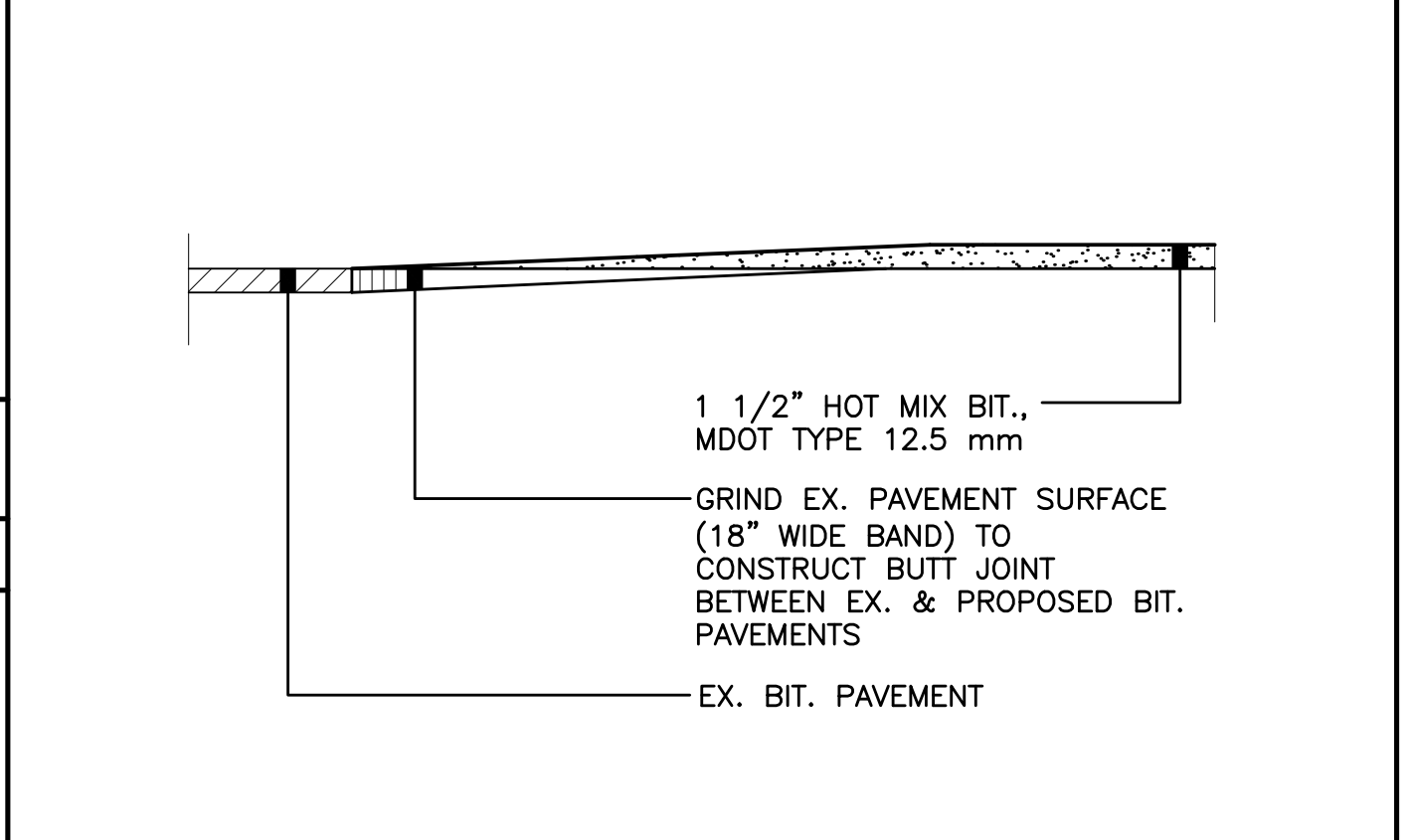
FIXTURE TYPE (SEE ES101)	LAMP ELEVATION (ABOVE FINISH GRADE)	BASE DIAMETER *	EMBEDMENT
AA (1 LAMP)	25'-0"	30"	4'-6"
BB (1 LAMP)		24"	6'-9"
CC (1 LAMP)	12'-0"	30"	4'-6"
		24"	4'-6"
AA (2 LAMP)	25'-0"	36"	4'-6"
BB (2 LAMP)		30"	5'-9"
		24"	8'-6"



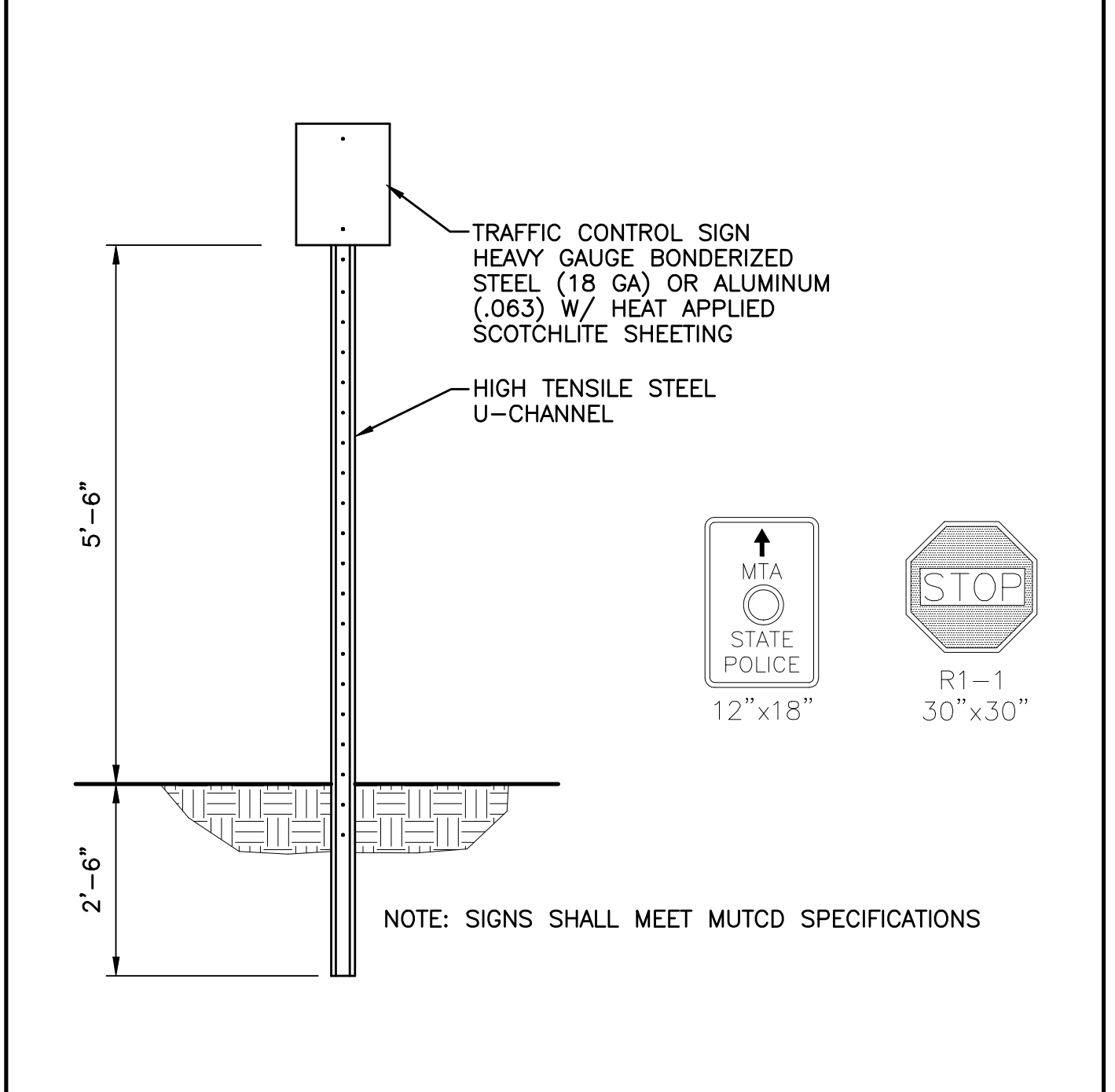
**A1 LIGHT POLE BASE DETAIL**  
 NTS RE: STRUCTURAL FOR POLE BASE DETAIL ON BEDROCK A11/S3.4



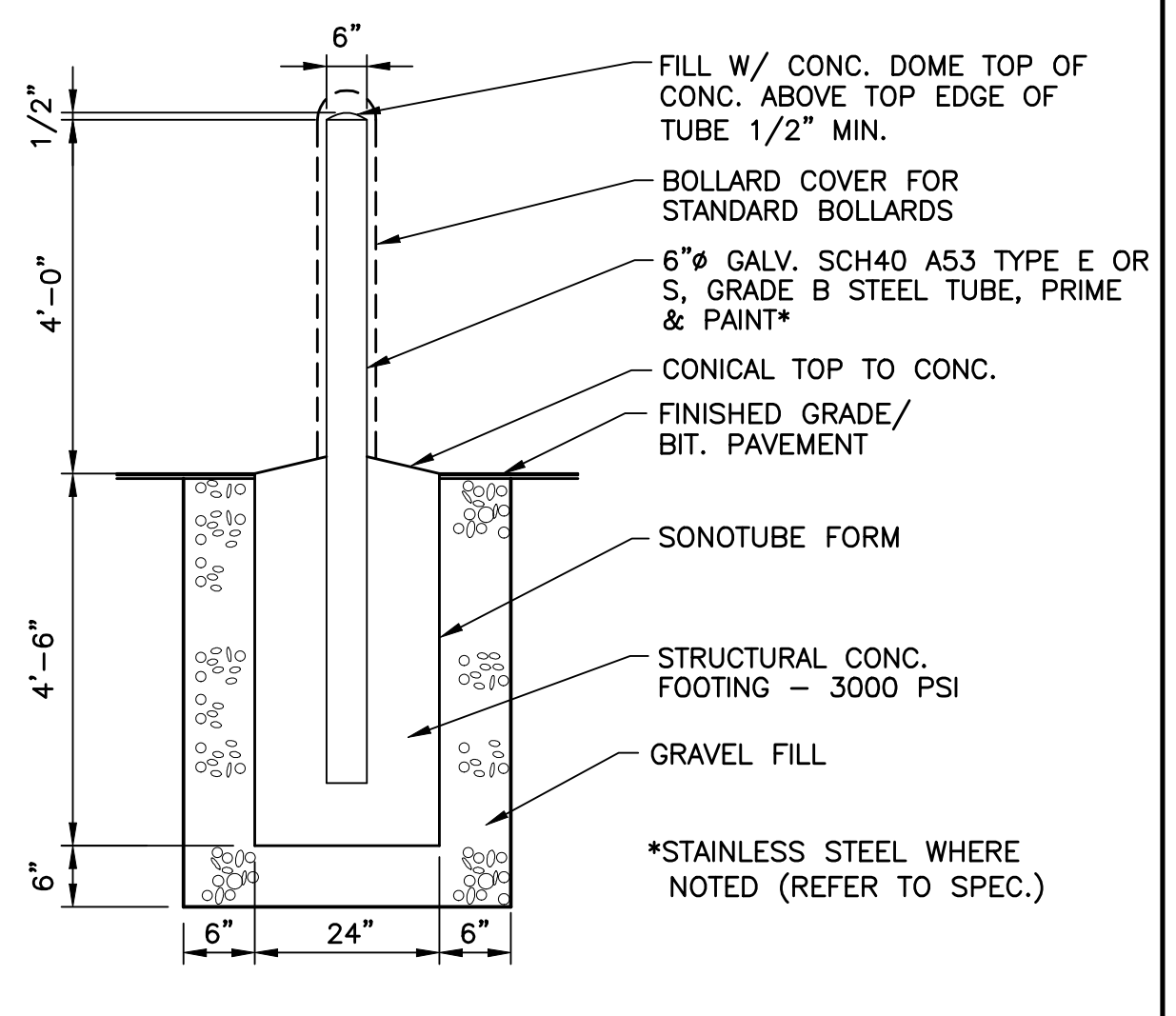
**J5 CONCRETE DUMPSTER PAD DETAIL**  
 NTS CP202



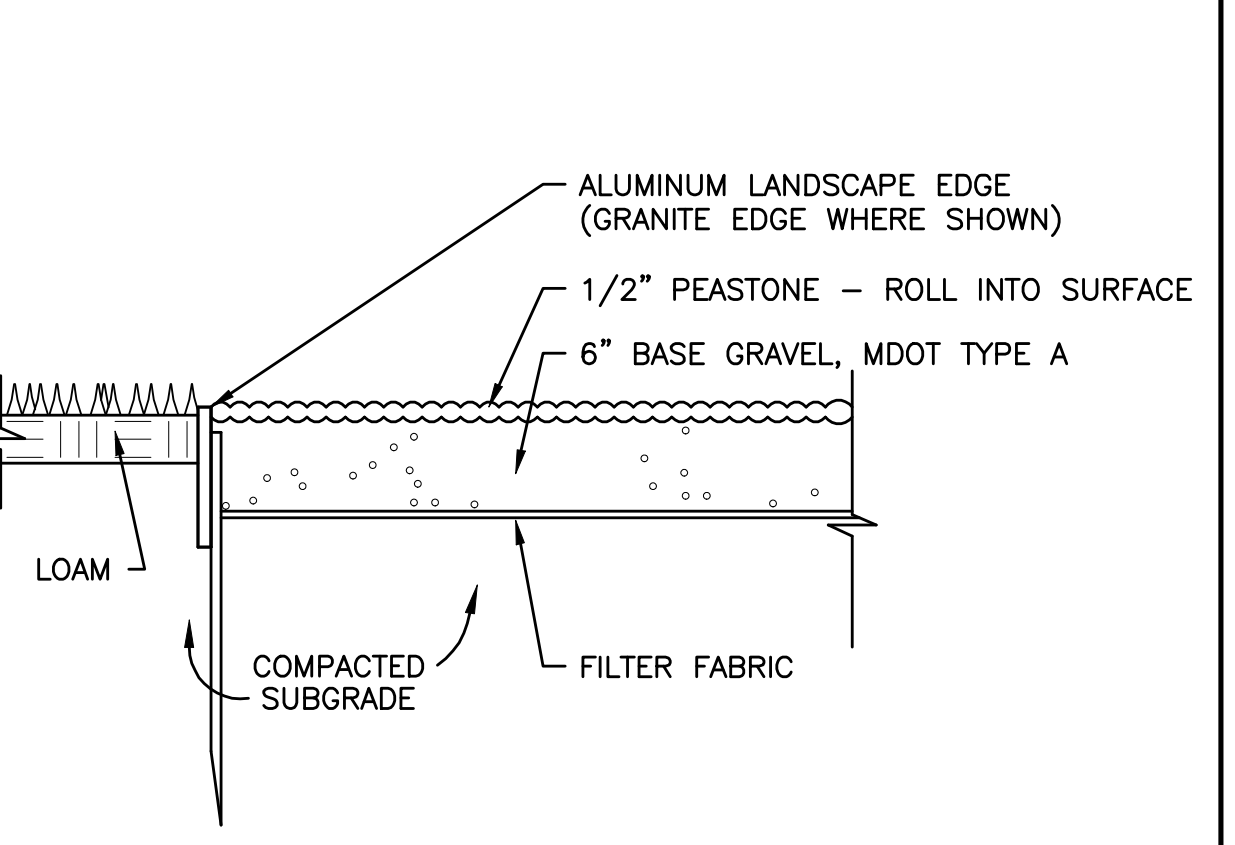
**F5 BIT. PAVEMENT OVERLAY DETAIL**  
 NTS CP101



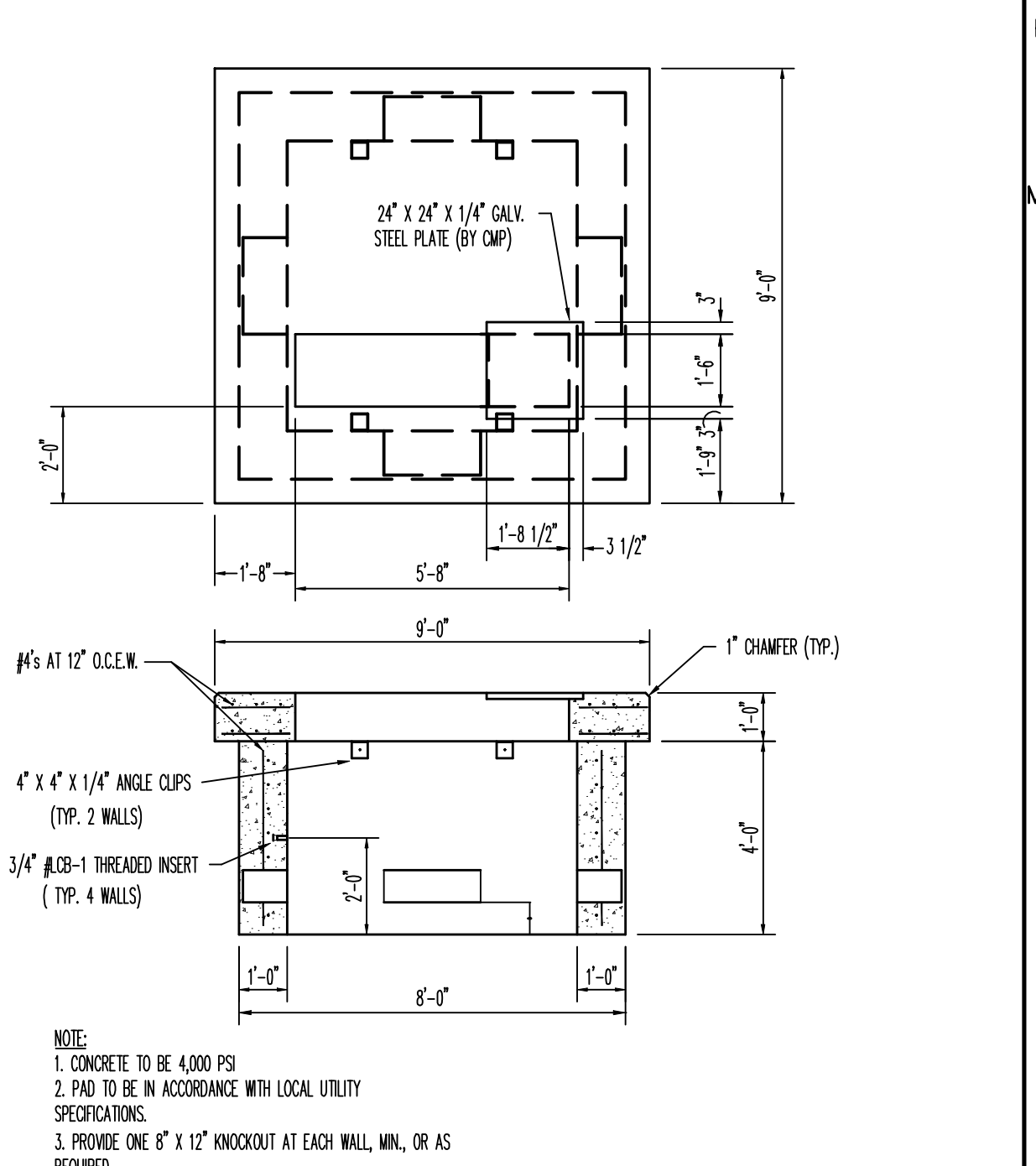
**A5 SIGN DETAIL**  
 NTS \*



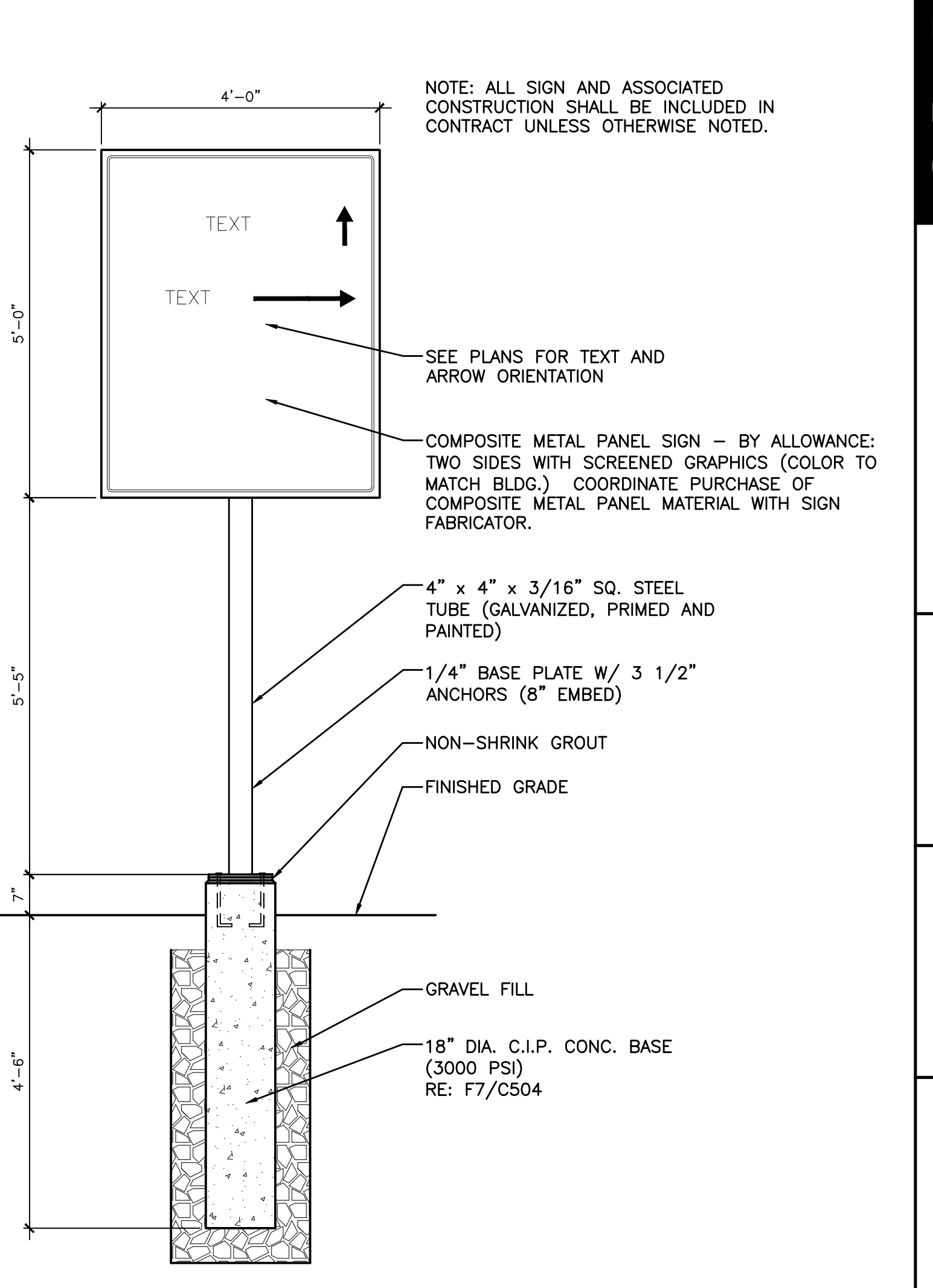
**J9 BOLLARD DETAIL**  
 NTS CP201, CP202



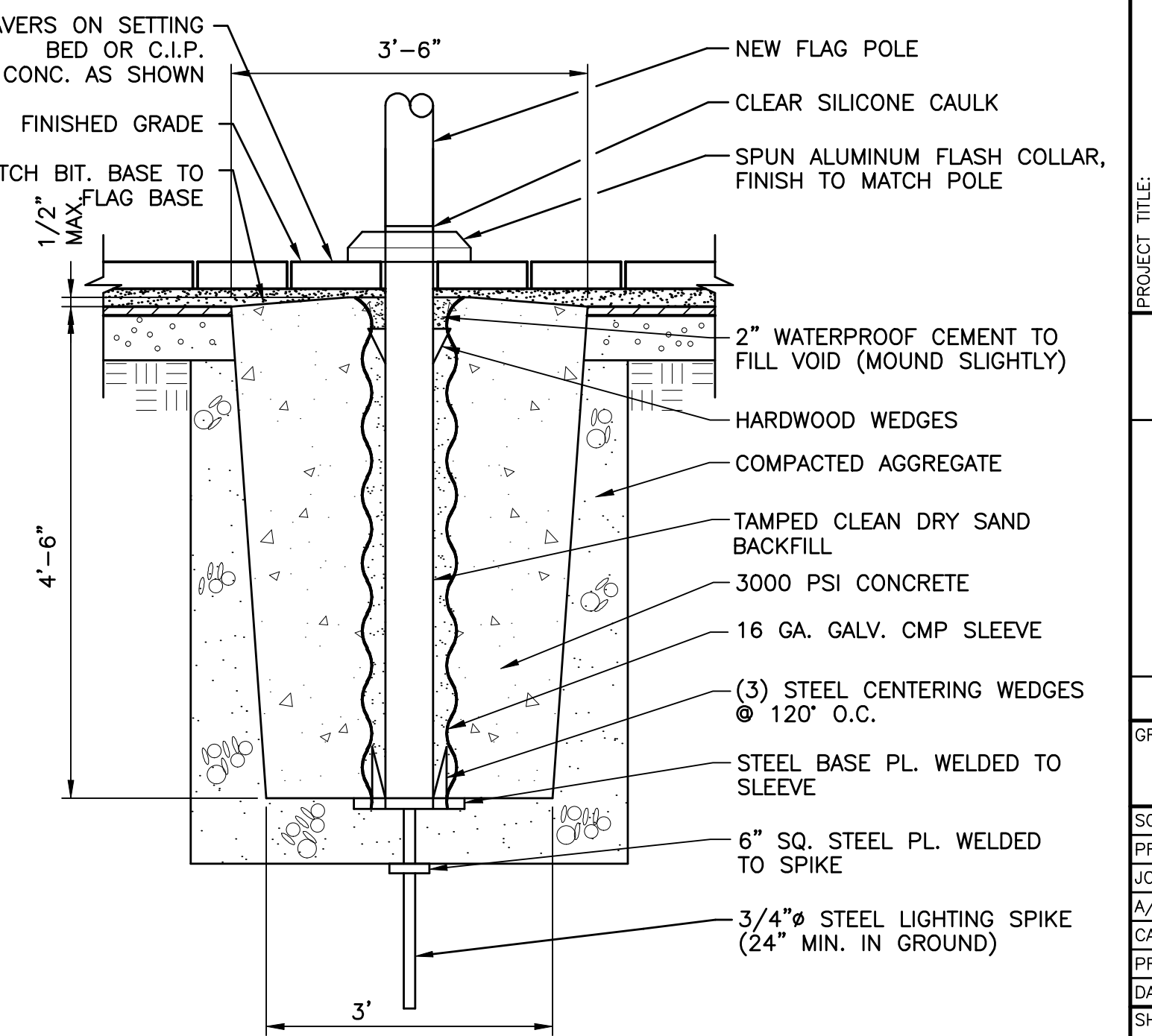
**F9 GRAVEL TERRACE DETAIL**  
 NTS CP101



**A9 TRANSFORMER PAD DETAIL**  
 NTS CP202



**F12 DIRECTIONAL SIGN DETAIL**  
 NTS \*



**A12 FLAGPOLE BASE DETAIL**  
 NTS CP201, CP202

REV	DESCRIPTION	DATE

GRAPHIC SCALE: 0" 1"

SCALE: SHOWN  
 PROJECT MANAGER: SLB  
 JIC/DRAWN BY: TCM/PAF  
 A/E OF RECORD: MGJ  
 CAD FILE: 06016-C502  
 PROJECT NO: 06016  
 DATE: 7-9-07  
 SHEET TITLE: