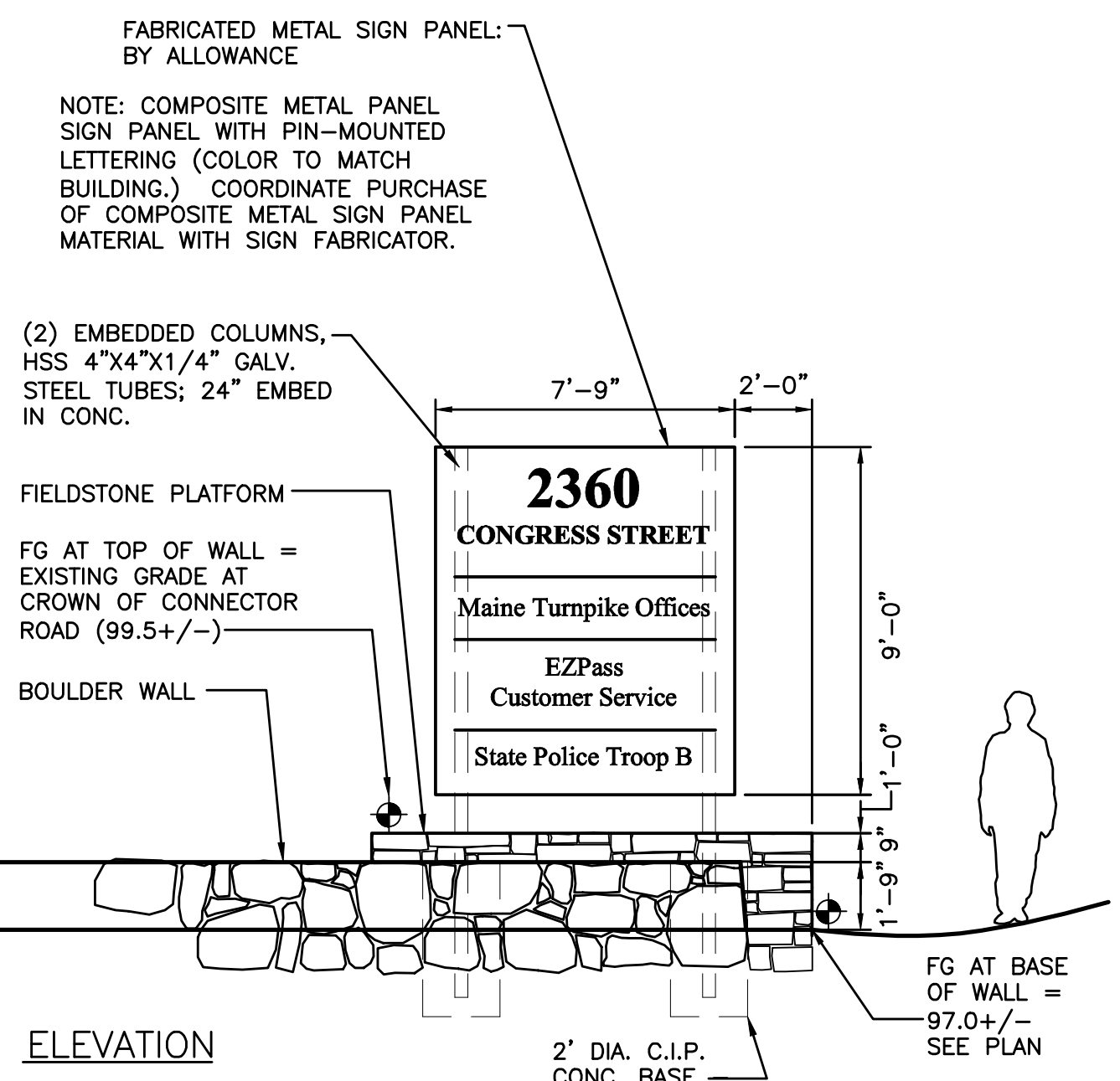
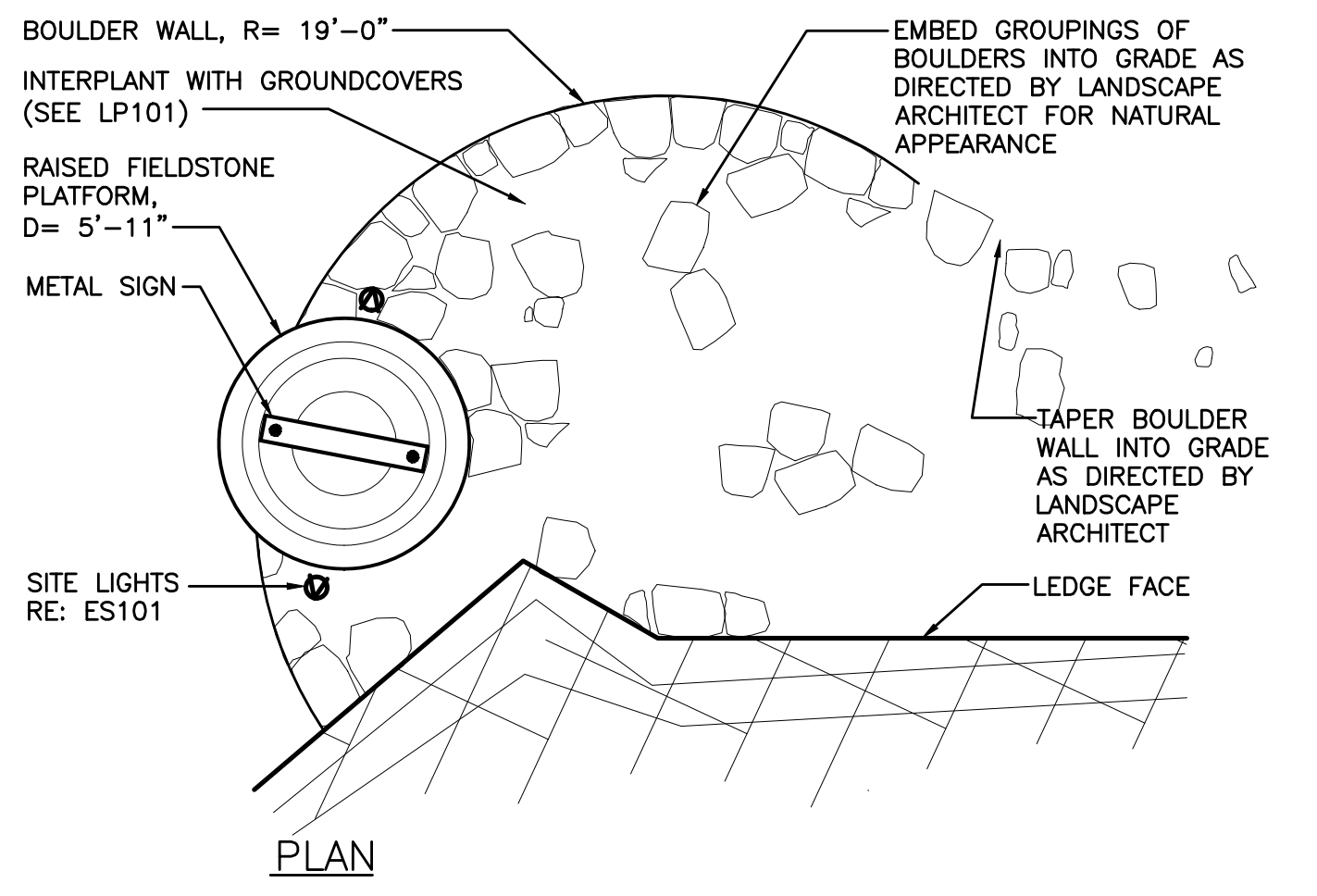
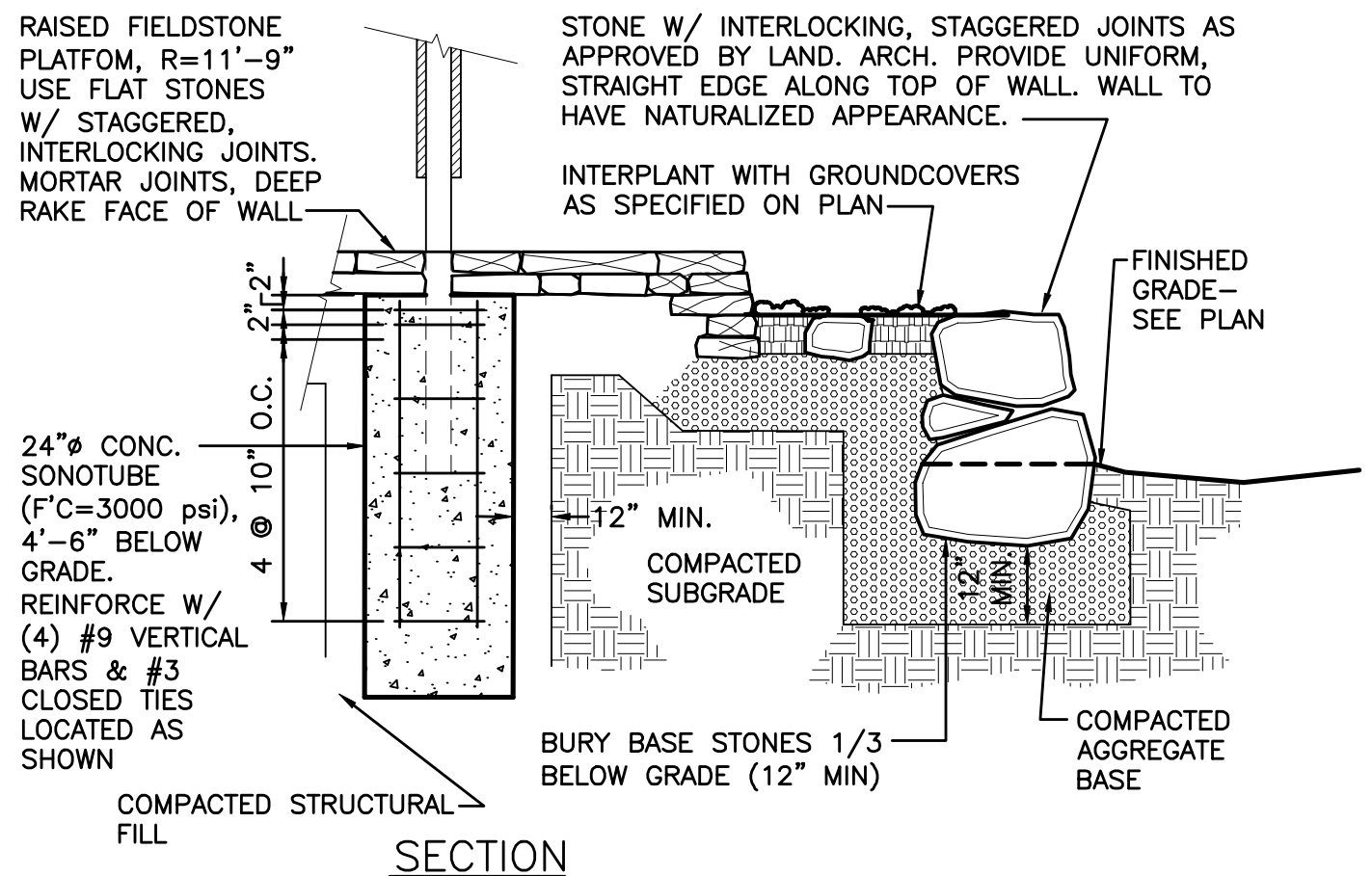
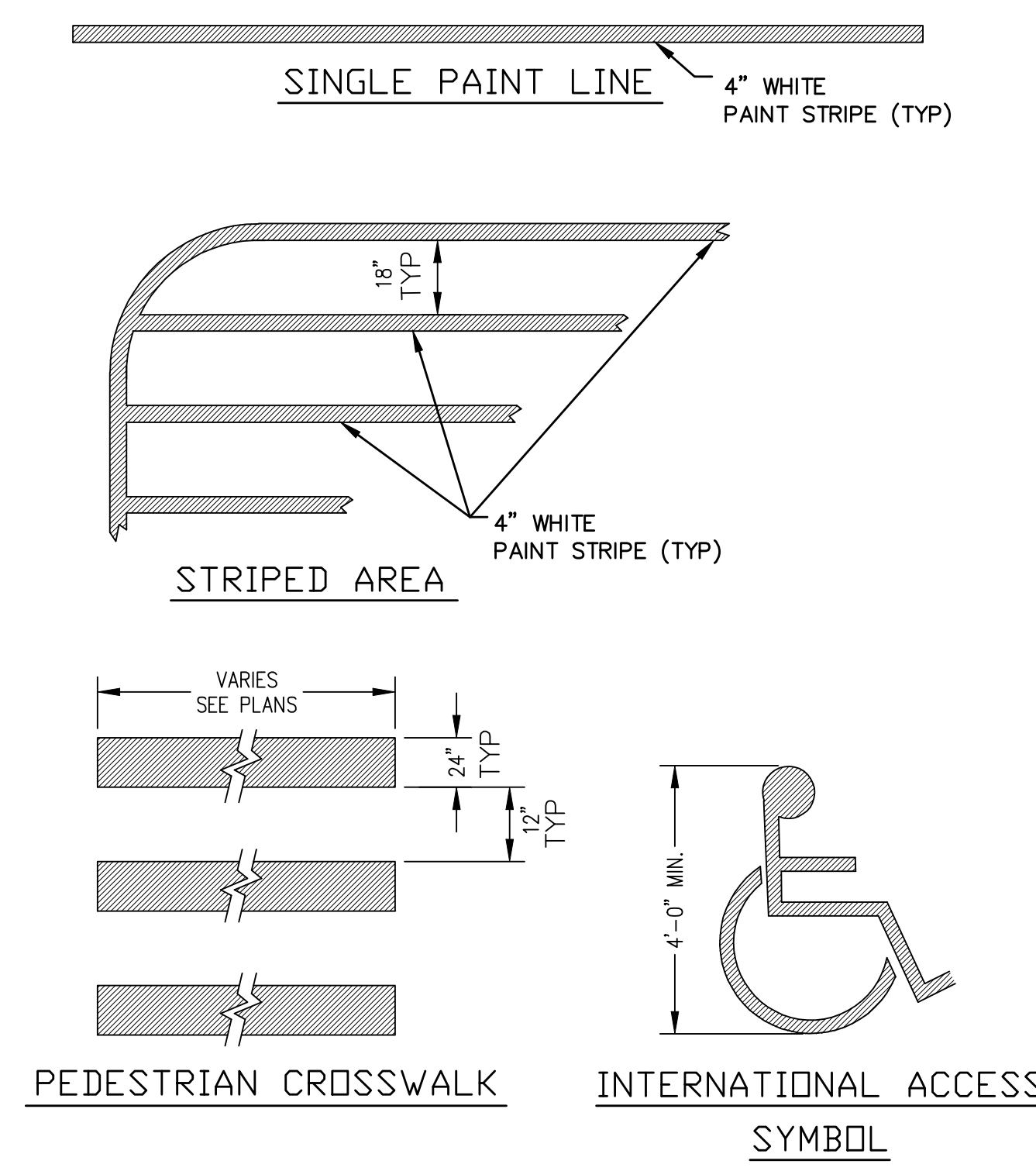


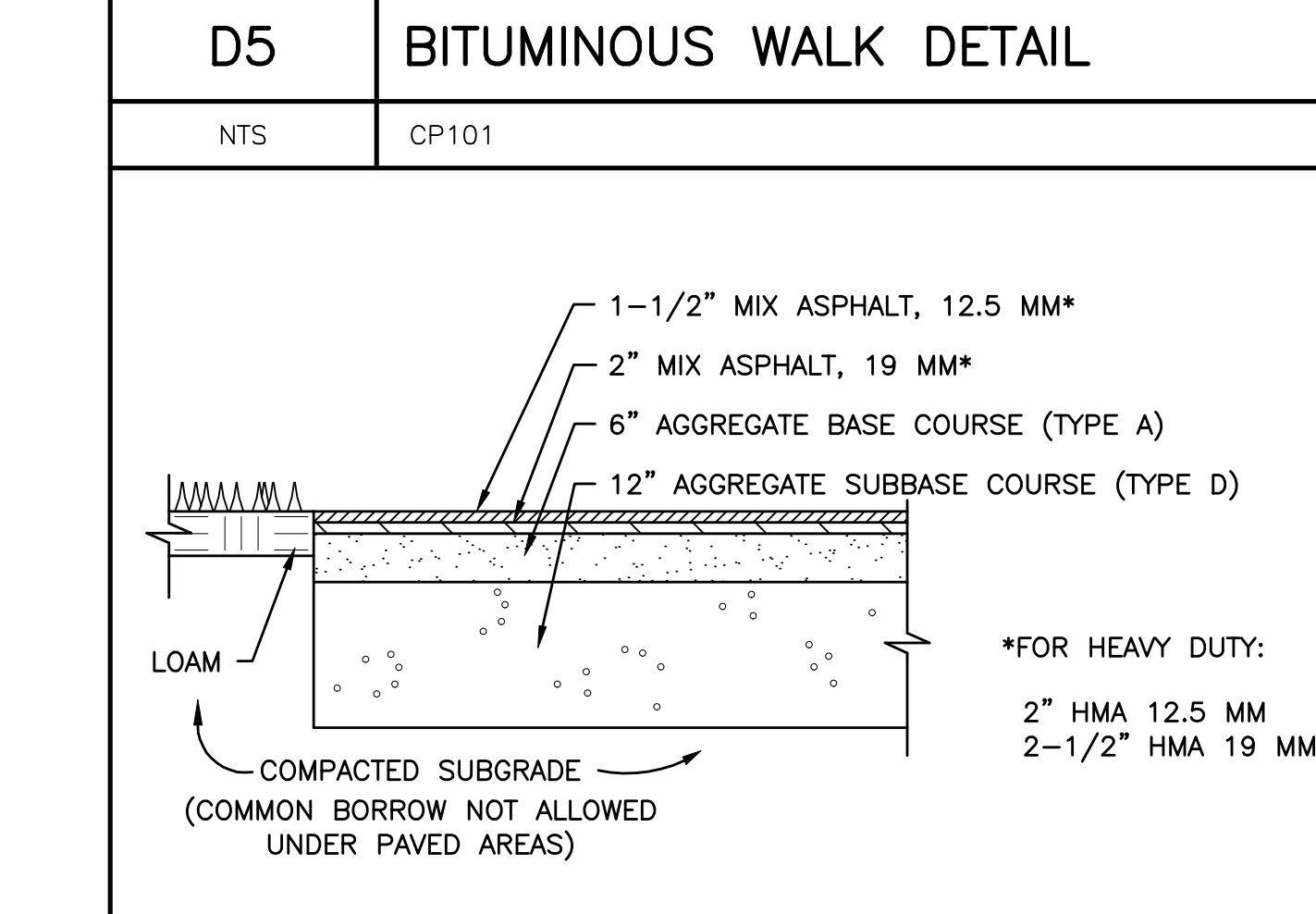
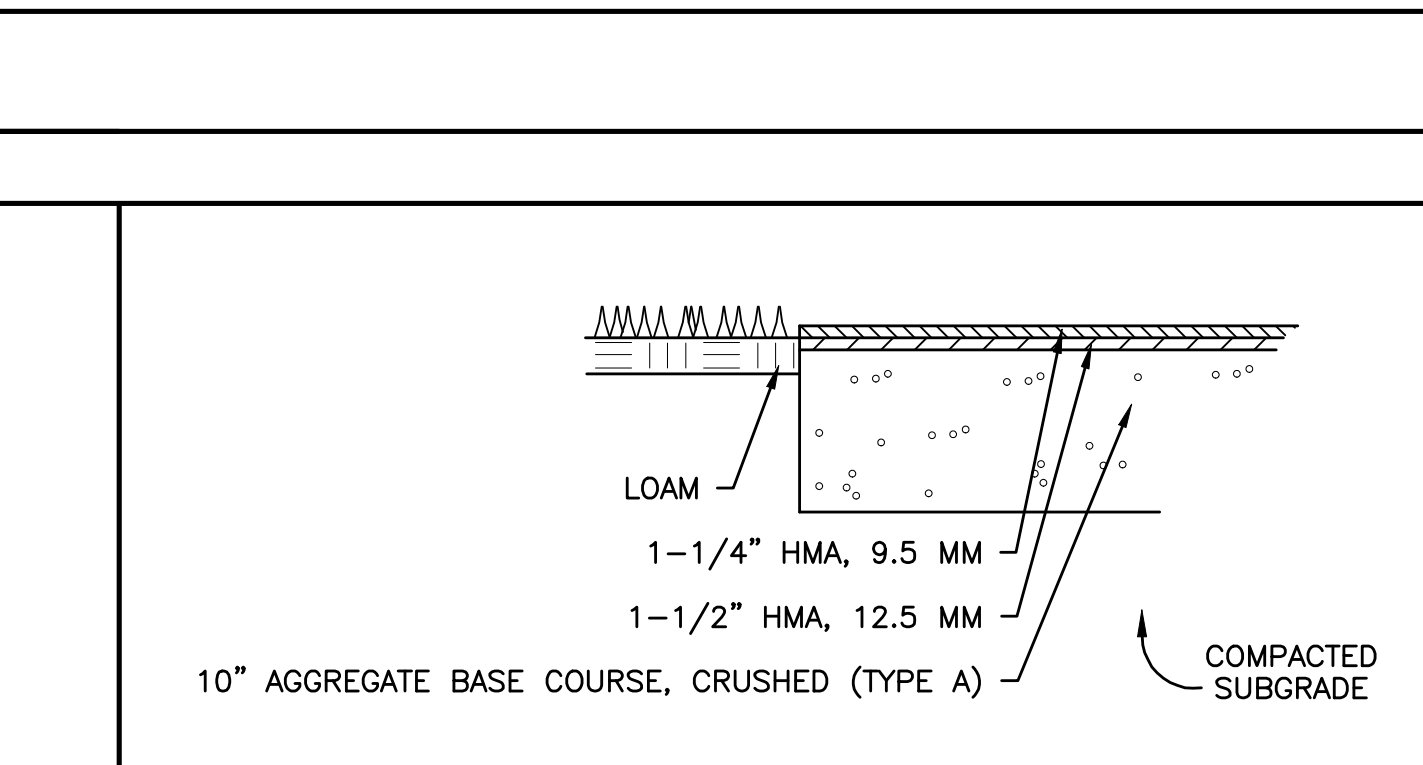
NOTE:
ALL SIGN AND WALL ASSOCIATED CONSTRUCTION SHALL BE INCLUDED IN CONTRACT UNLESS OTHERWISE NOTED.



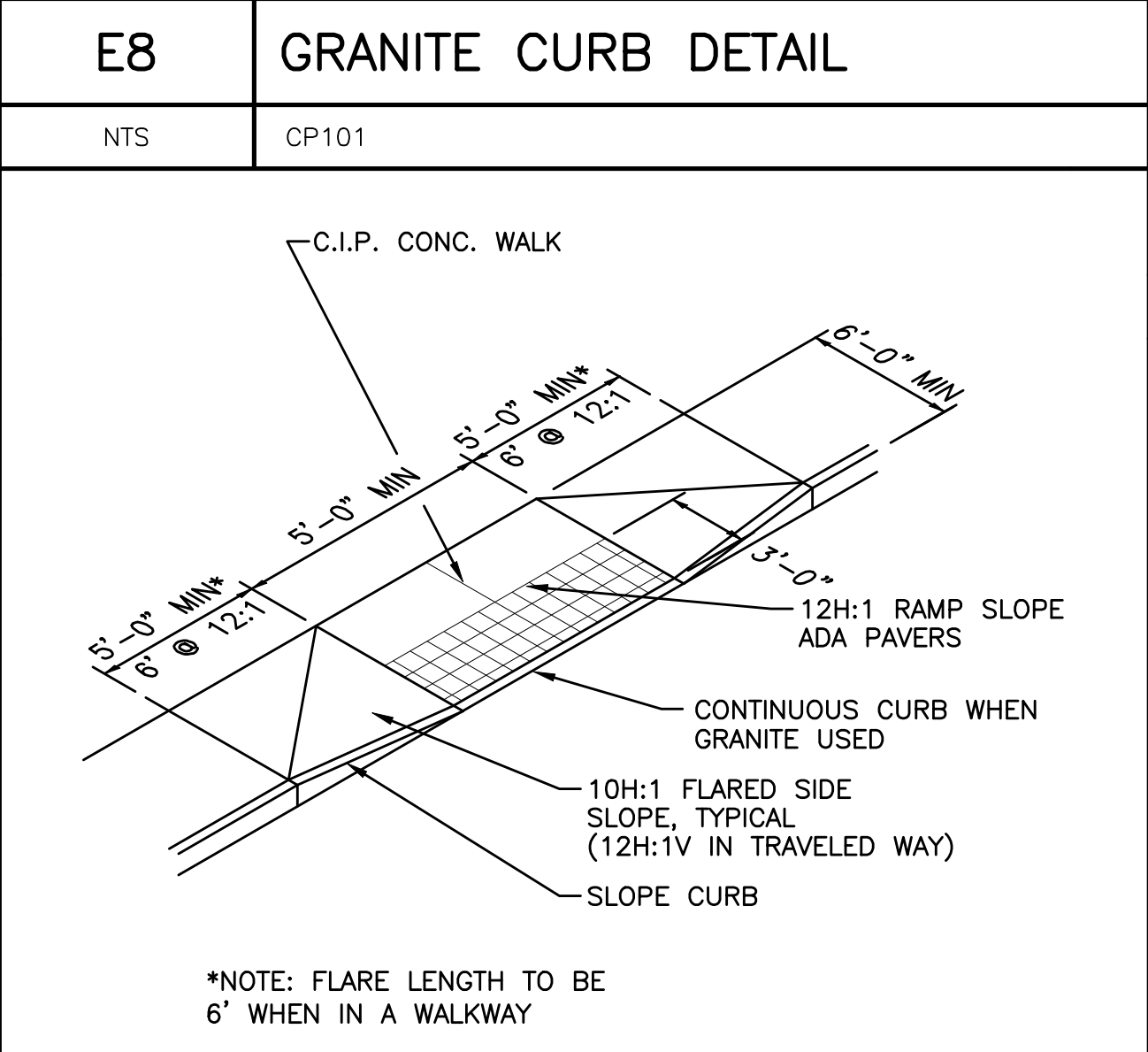
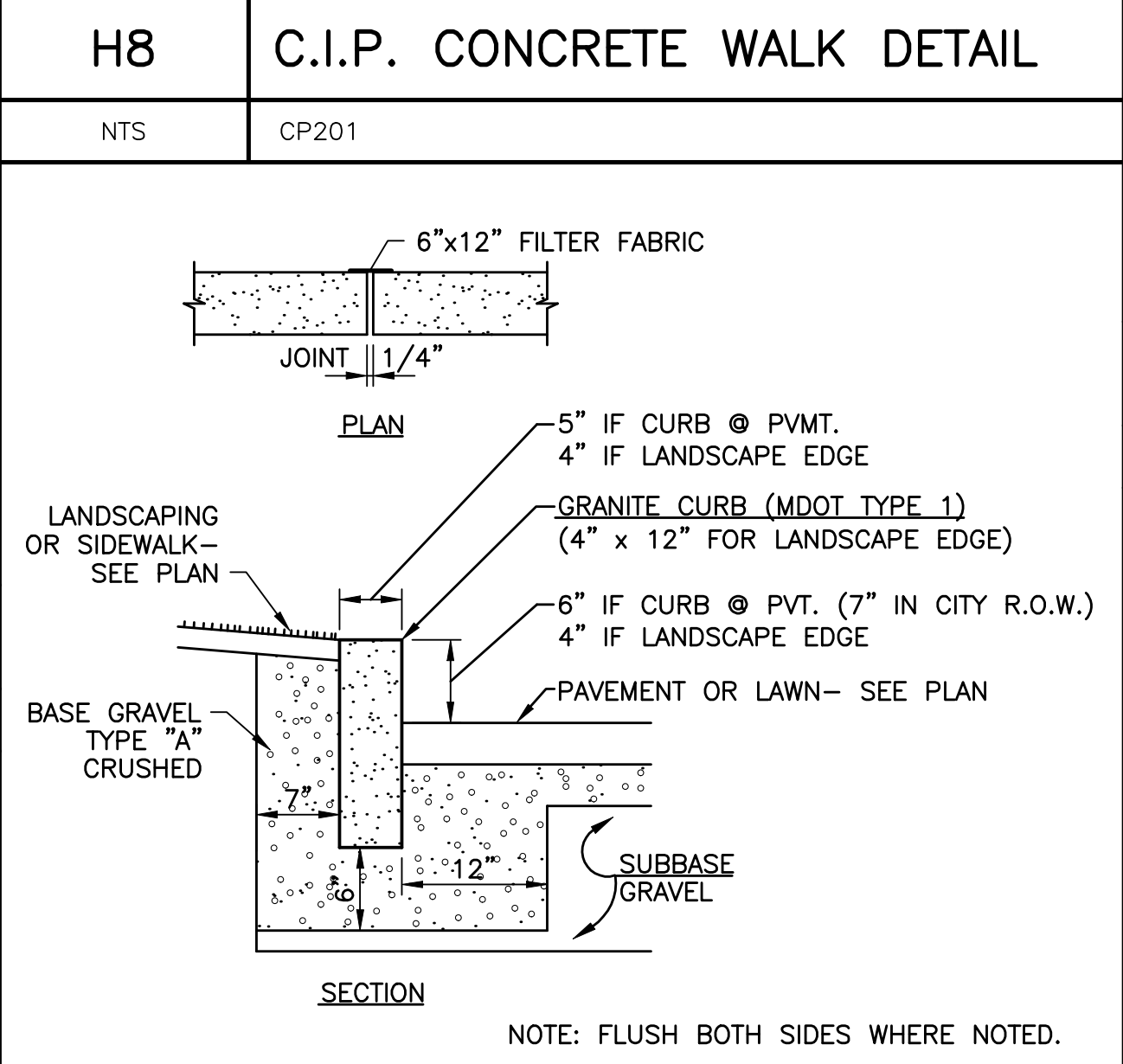
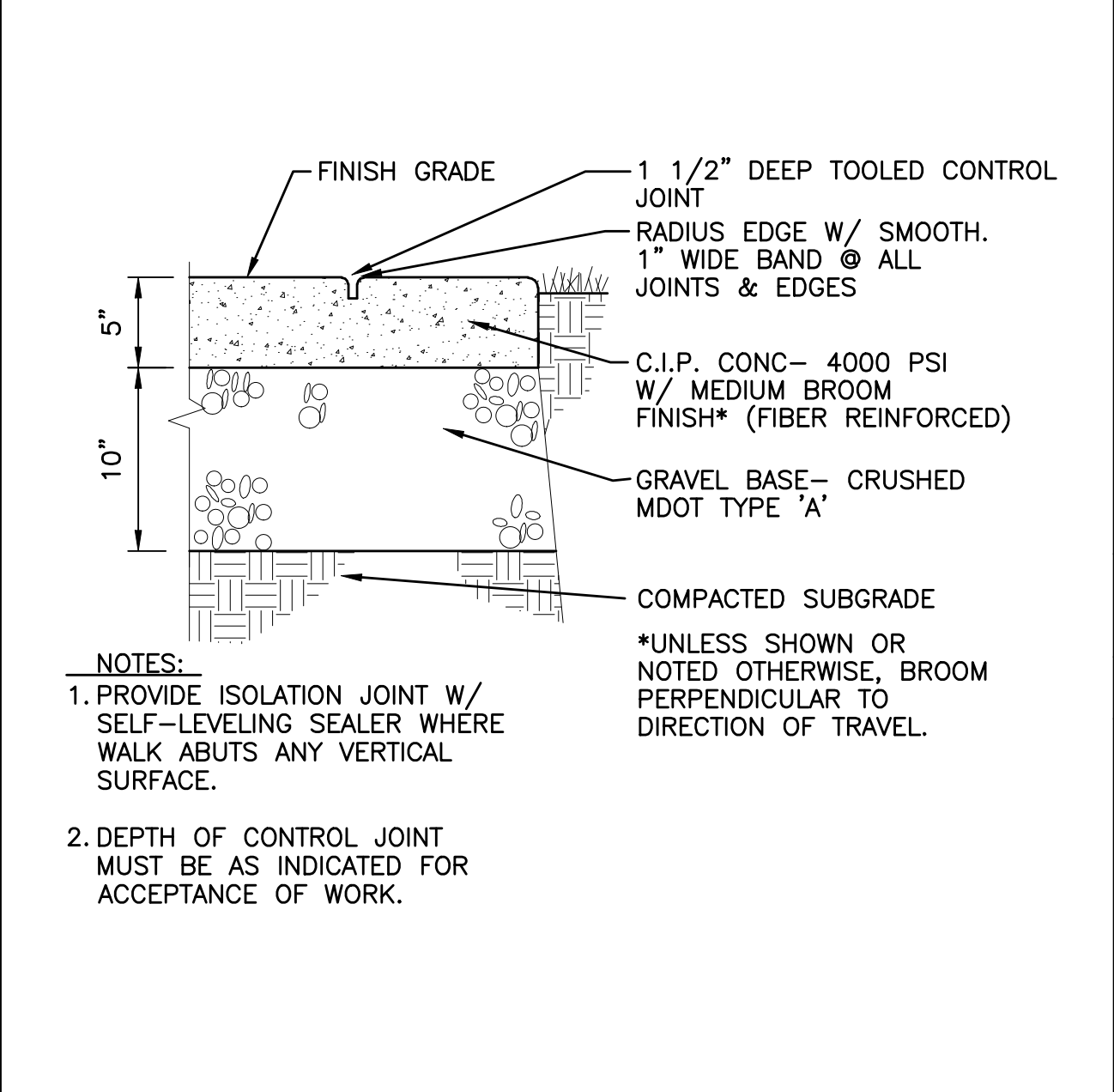
F1 ENTRY SIGN AND WALL
NTS CP101



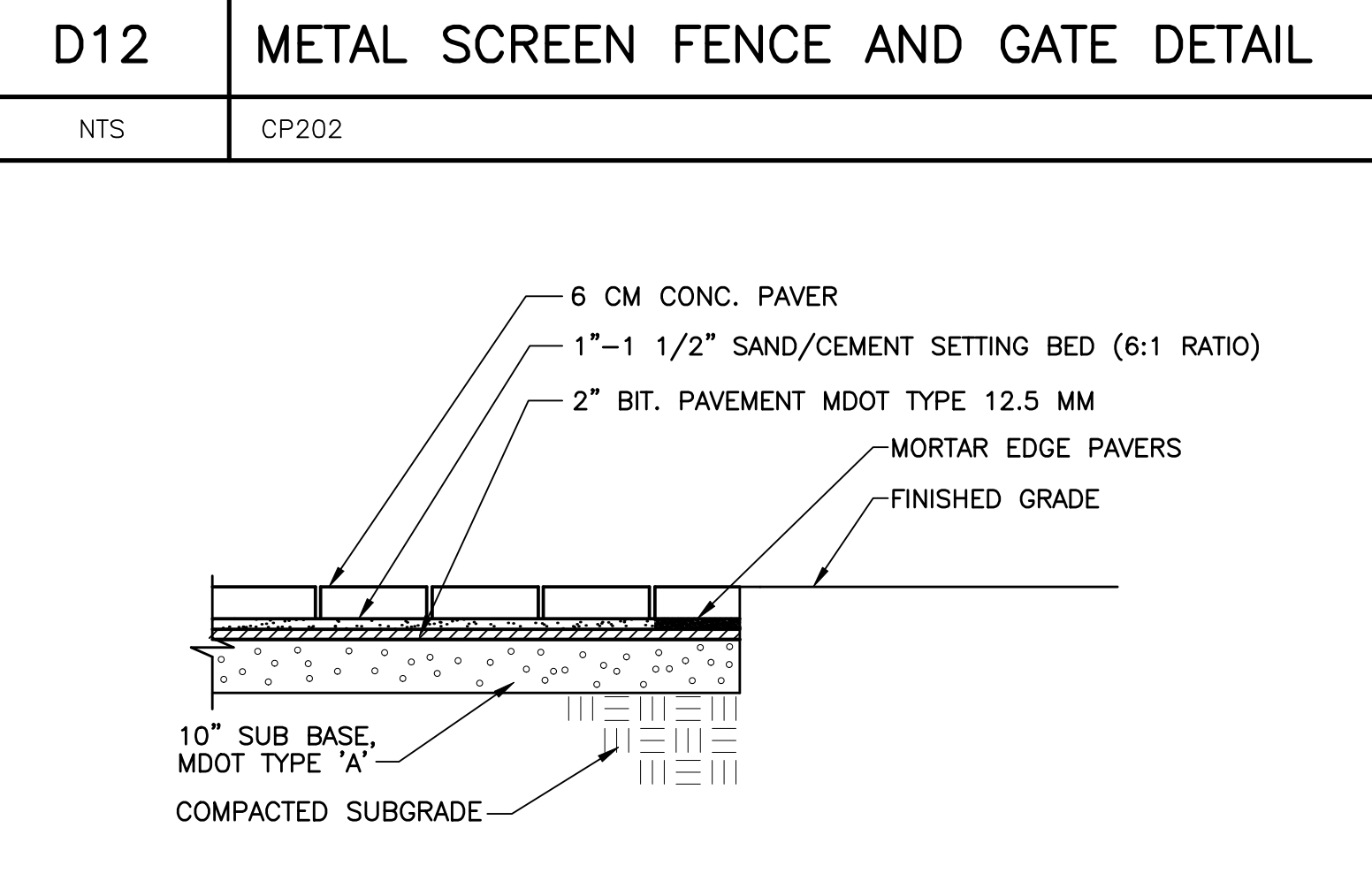
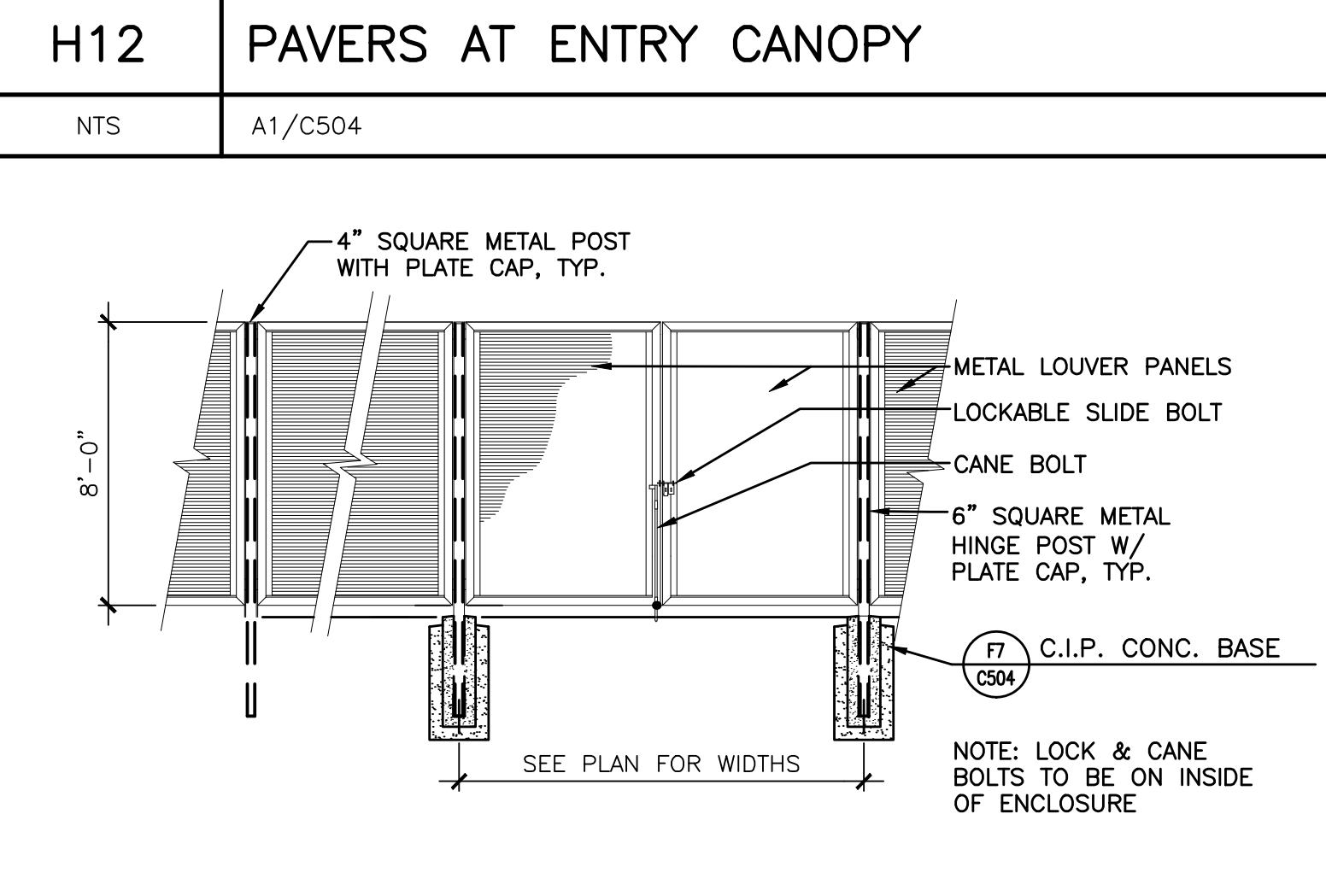
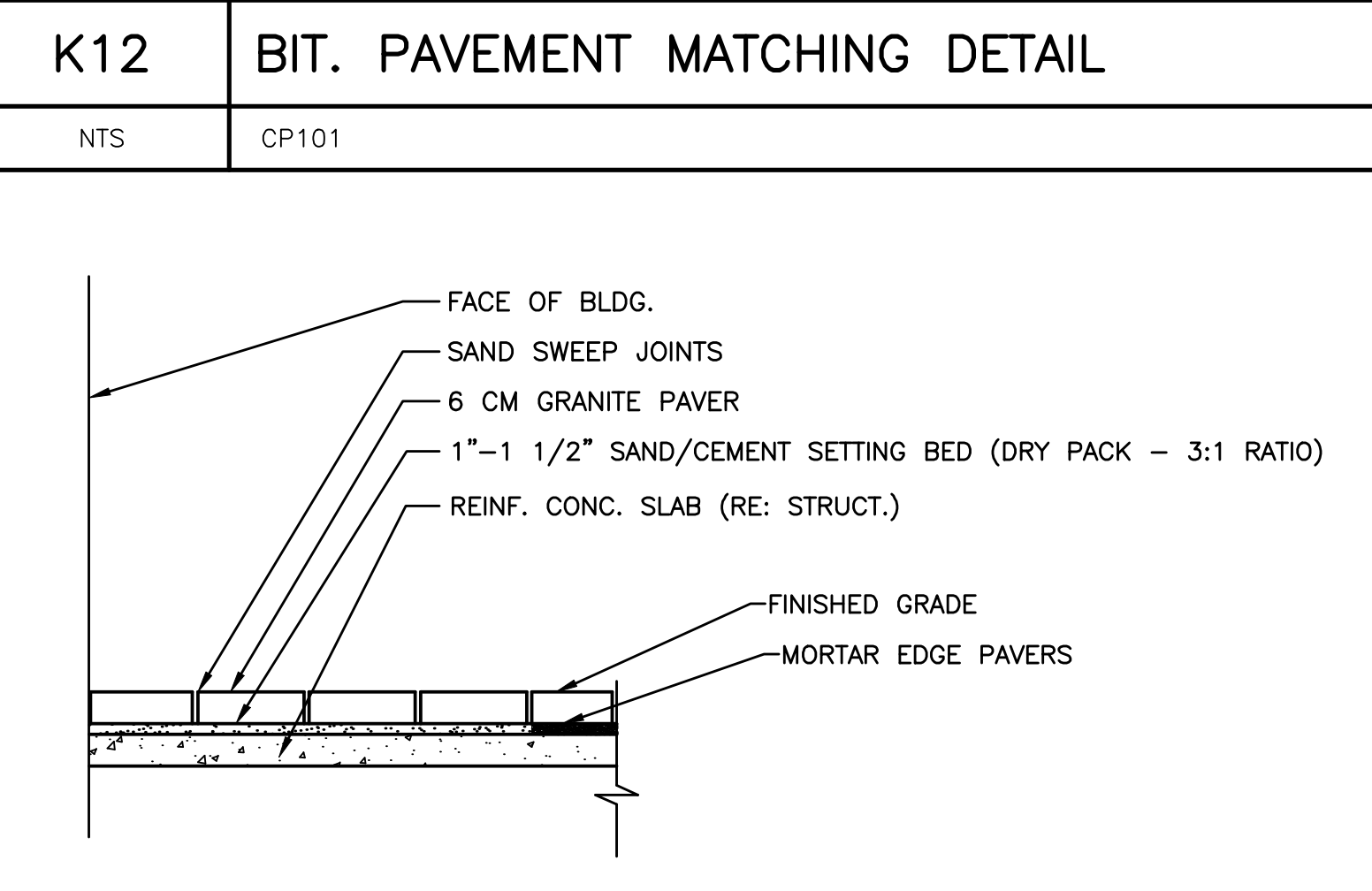
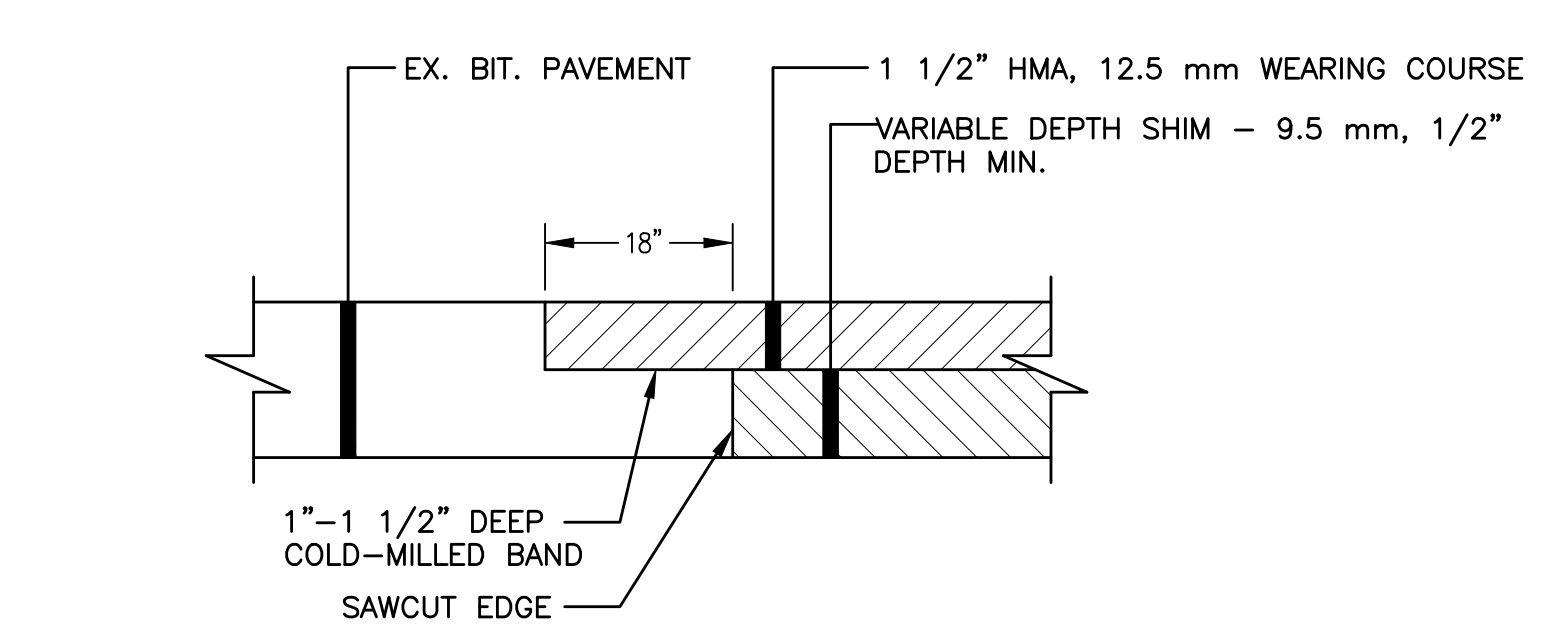
A1 PAINTED STRIPING DETAIL
NTS CP101



A5 BITUMINOUS DRIVE DETAIL
NTS CP101



A8 CURB RAMP DETAIL
NTS CP101



A12 CONCRETE PAVER DETAIL
NTS CP201

SMT
ARCHITECTURE ENGINEERING PLANNING
144 Fore Street/P.O. Box 618
Portland, Maine 04104
tel. (207) 772-3846
fax. (207) 772-1070

PROJECT TITLE:
MAINE TURNPIKE AUTHORITY
ADMINISTRATION BUILDING
PORTLAND, MAINE

ISSUED FOR BIDDING/CONSTRUCTION
7-9-07

REV	DESCRIPTION	DATE
1	BIDDING/CONSTRUCTION	7-09-07
0	ISSUED FOR PERMITTING	1-16-07

GRAPHIC SCALE:
0" 1"

SCALE: SHOWN
PROJECT MANAGER: SLB
JC/DRAWN BY: TCM/PAF
A/E OF RECORD: MGJ
CAD FILE: 06016-C501
PROJECT NO: 06016
DATE: 7-9-07
SHEET TITLE:
SITE DETAILS
SHEET No. C501