

**J1 HEAD DETAIL**

**J4 HEAD DETAIL**

**J7 HEAD DETAIL**

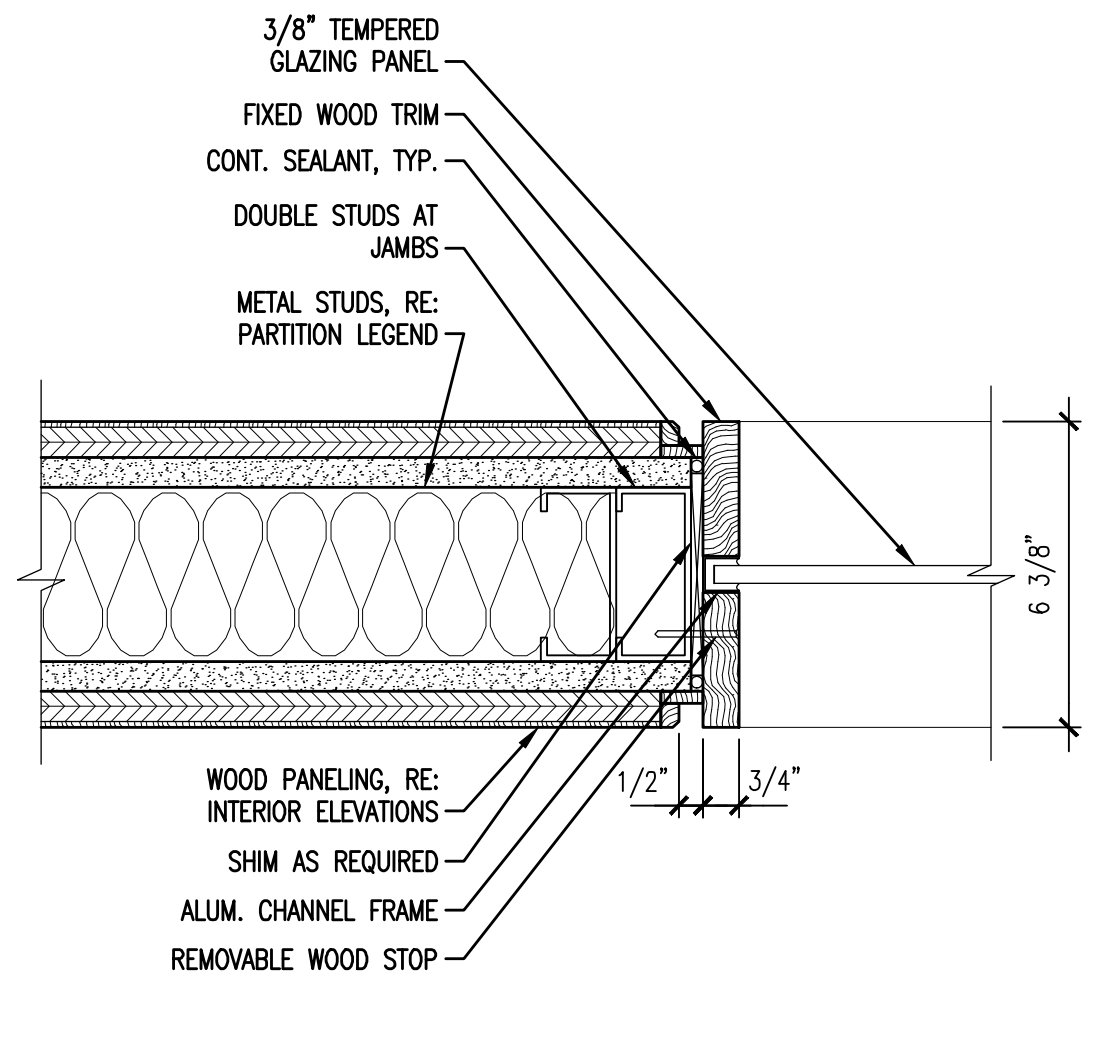
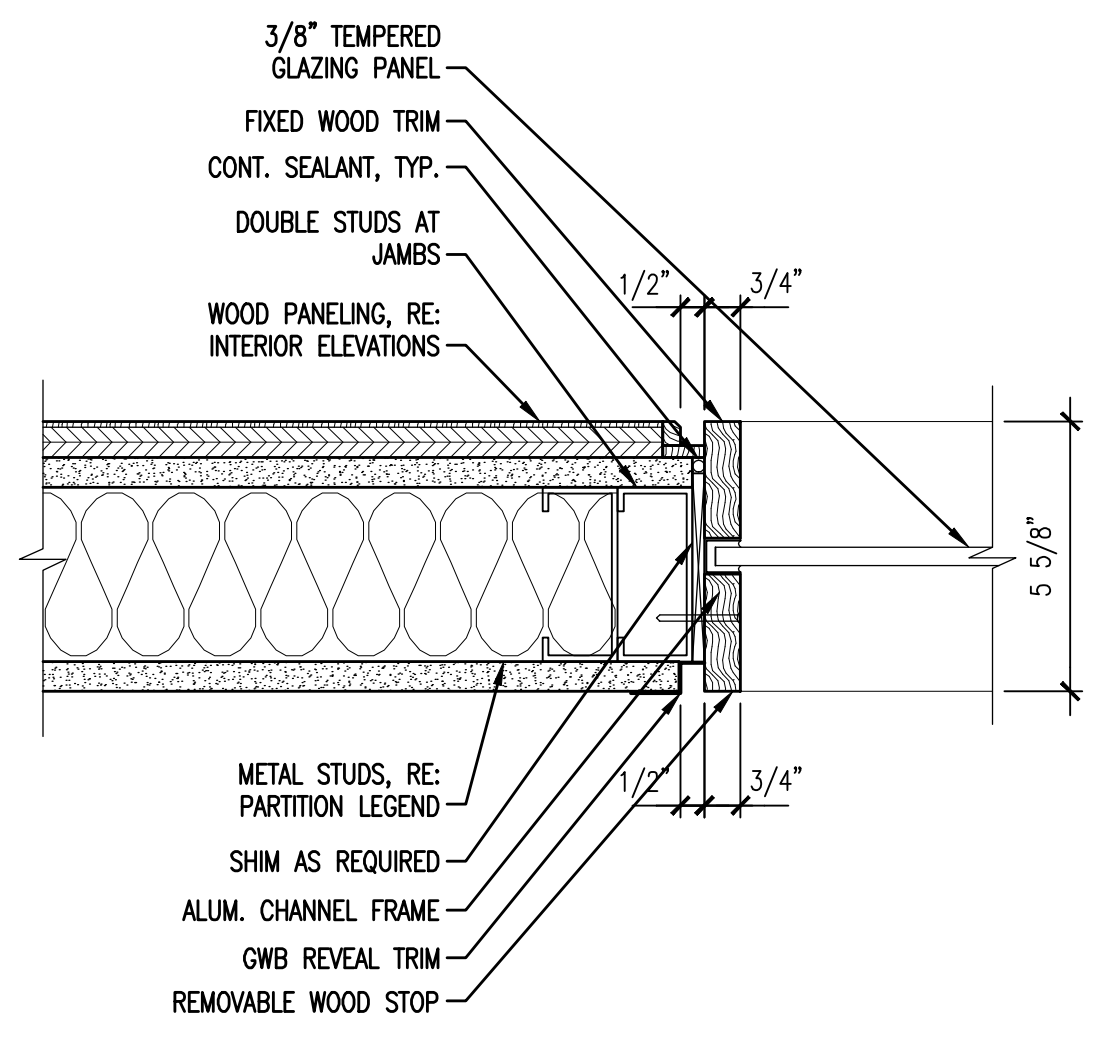
**J10 HEAD DETAIL**

3" = 1'-0"

3" = 1'-0"

3" = 1'-0"

3" = 1'-0"

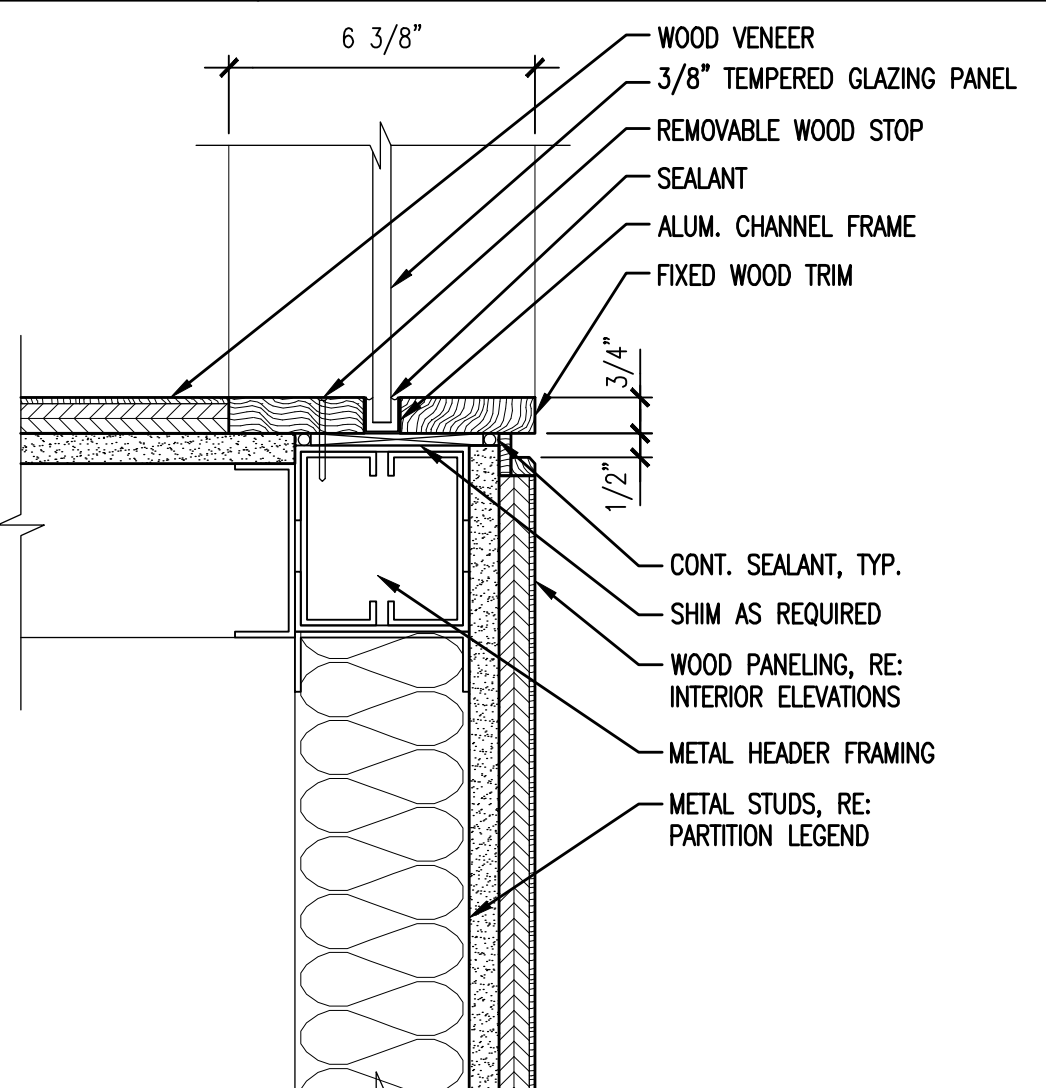
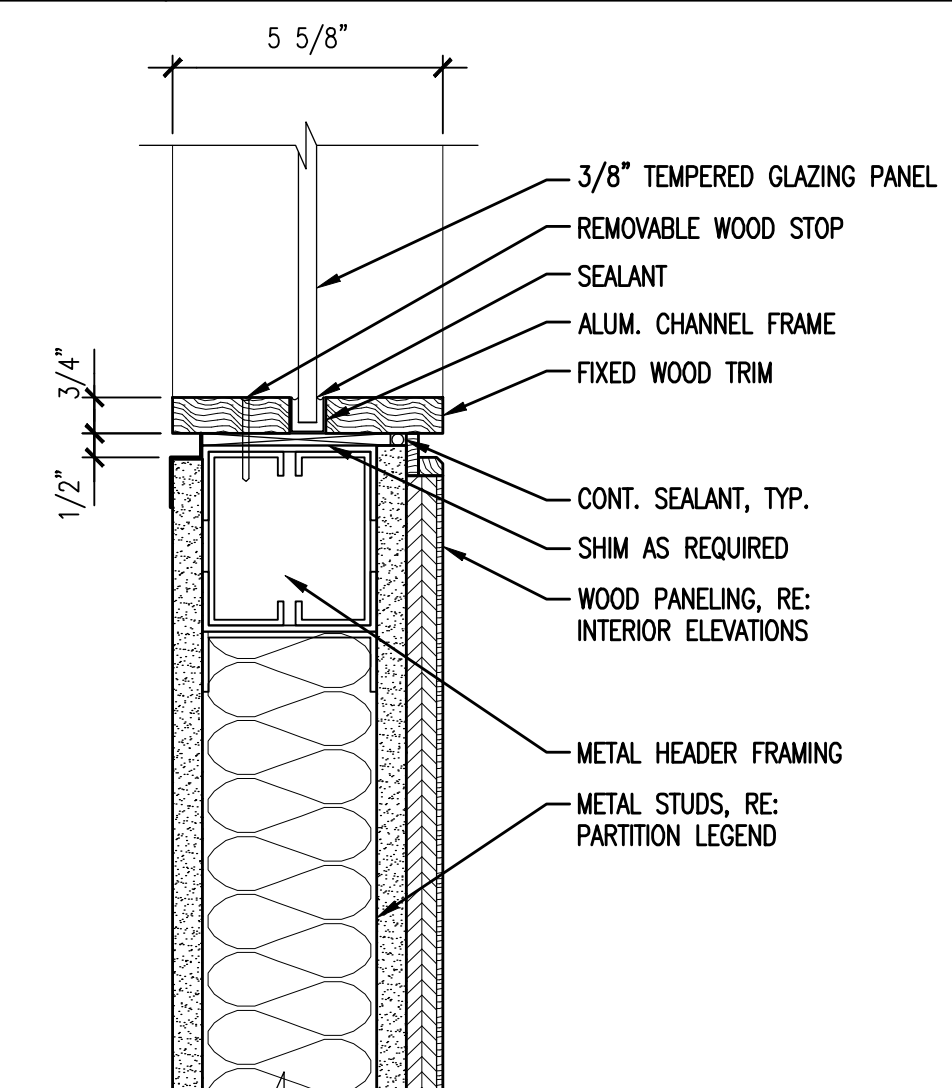
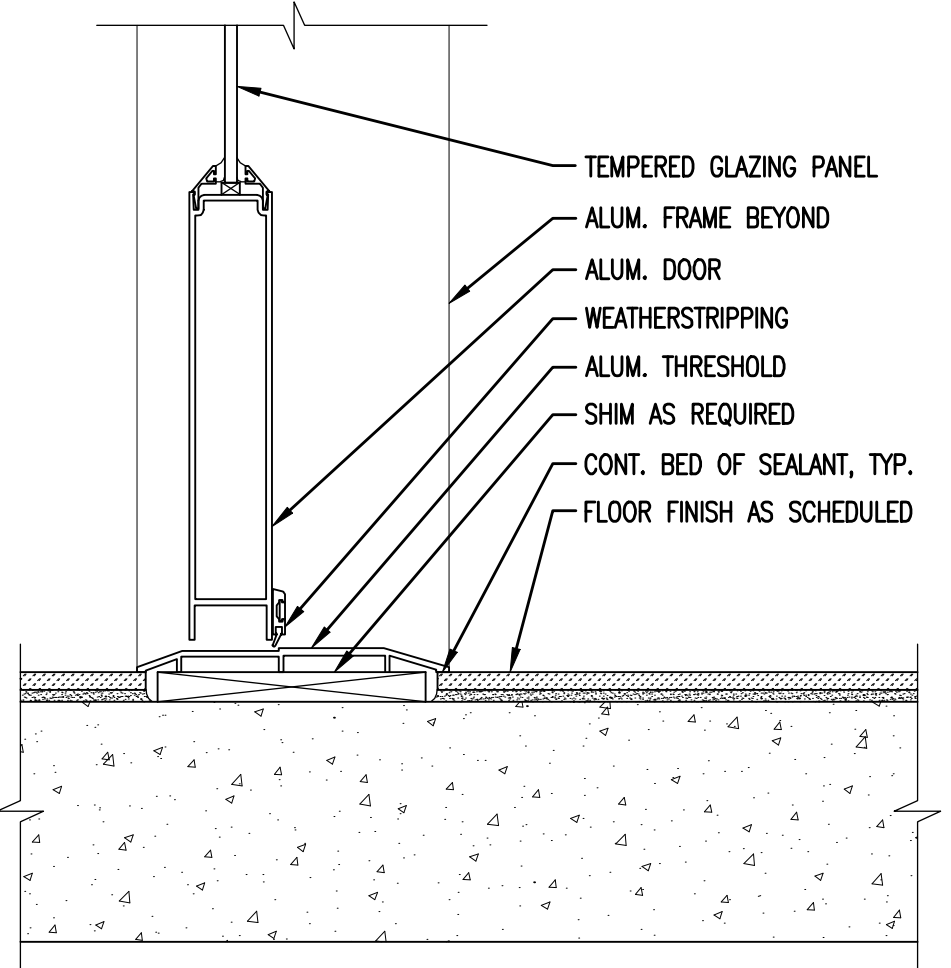
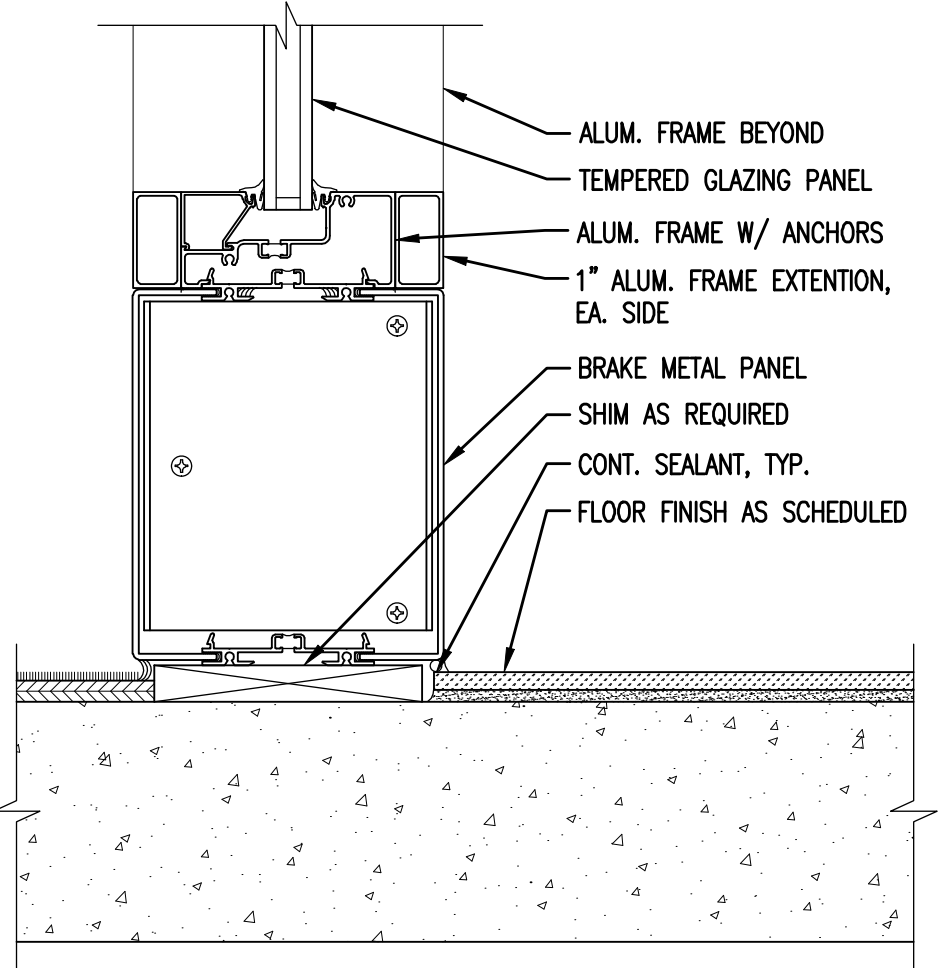


**E7 JAMB DETAIL**

**E10 JAMB DETAIL**

3" = 1'-0"

3" = 1'-0"



**A1 SILL DETAIL**

**A4 THRESHOLD DETAIL**

**A7 SILL DETAIL**

**A10 SILL DETAIL**

3" = 1'-0"

3" = 1'-0"

3" = 1'-0"

3" = 1'-0"

**GENERAL NOTES:**

1. SEE G1001 FOR PROJECT GENERAL NOTES.

**SM SRT**  
 ARCHITECTURE ENGINEERING PLANNING  
 144 Fore Street/P.O. Box 618  
 Portland, Maine 04104  
 tel. (207) 772-3846  
 fax. (207) 772-1070



PROJECT TITLE: MAINE TURNPIKE AUTHORITY ADMINISTRATION BUILDING PORTLAND, MAINE  
 CURRENT ISSUE STATUS: ISSUED FOR BIDDING/CONSTRUCTION 7-9-07

REV	DESCRIPTION	DATE
0	BIDDING/CONSTRUCTION	7-9-07

GRAPHIC SCALE: 0" = 1"  
 SCALE: AS NOTED  
 PROJECT MANAGER: SLB  
 JC/DRAWN BY: TCM/TCM  
 A/E OF RECORD: SLB  
 CAD FILE: AE626-06016  
 PROJECT NO: 06016  
 DATE: 7-9-07  
 SHEET TITLE: DOOR & WINDOW DETAILS  
 SHEET No. AE626