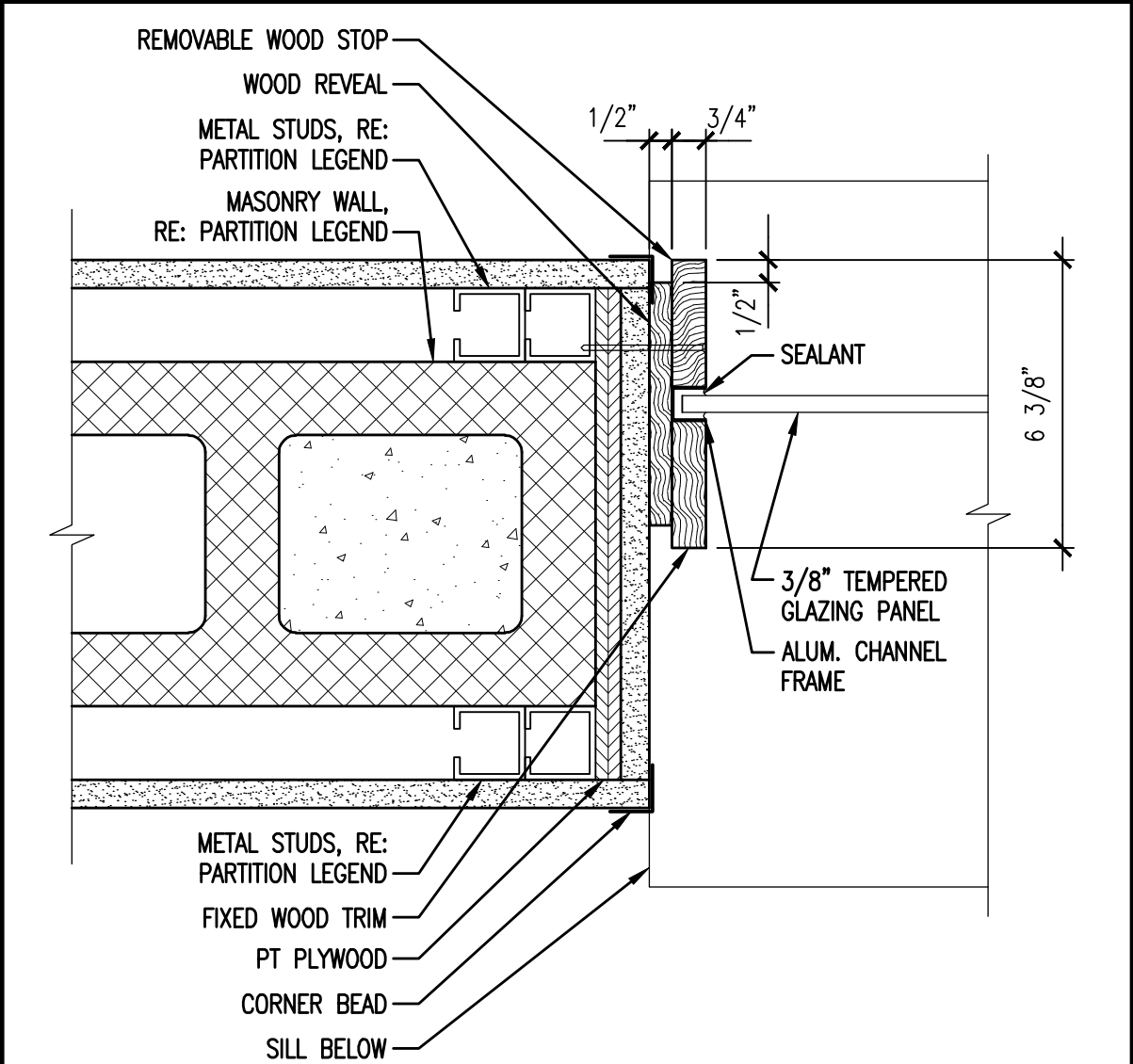
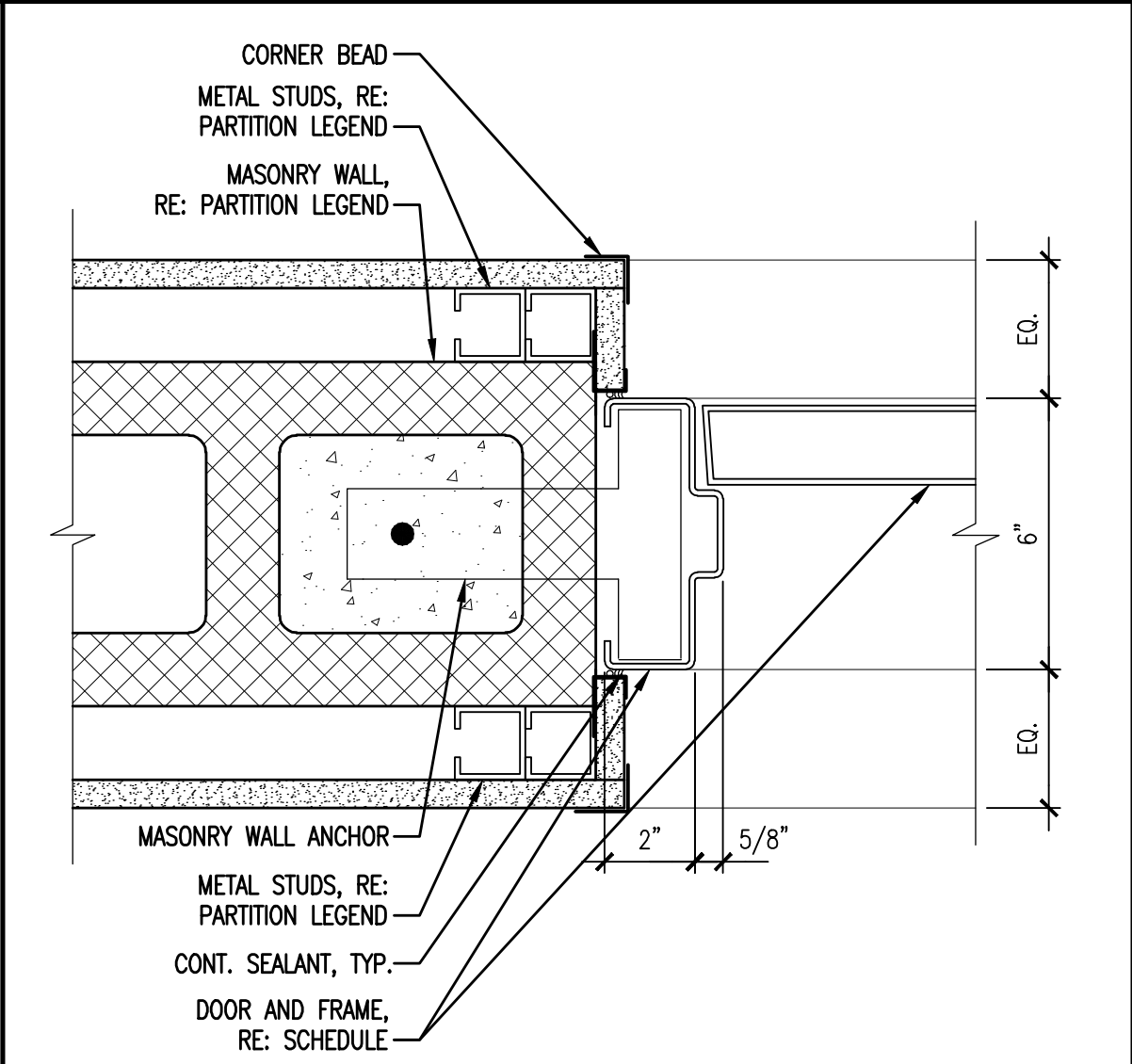
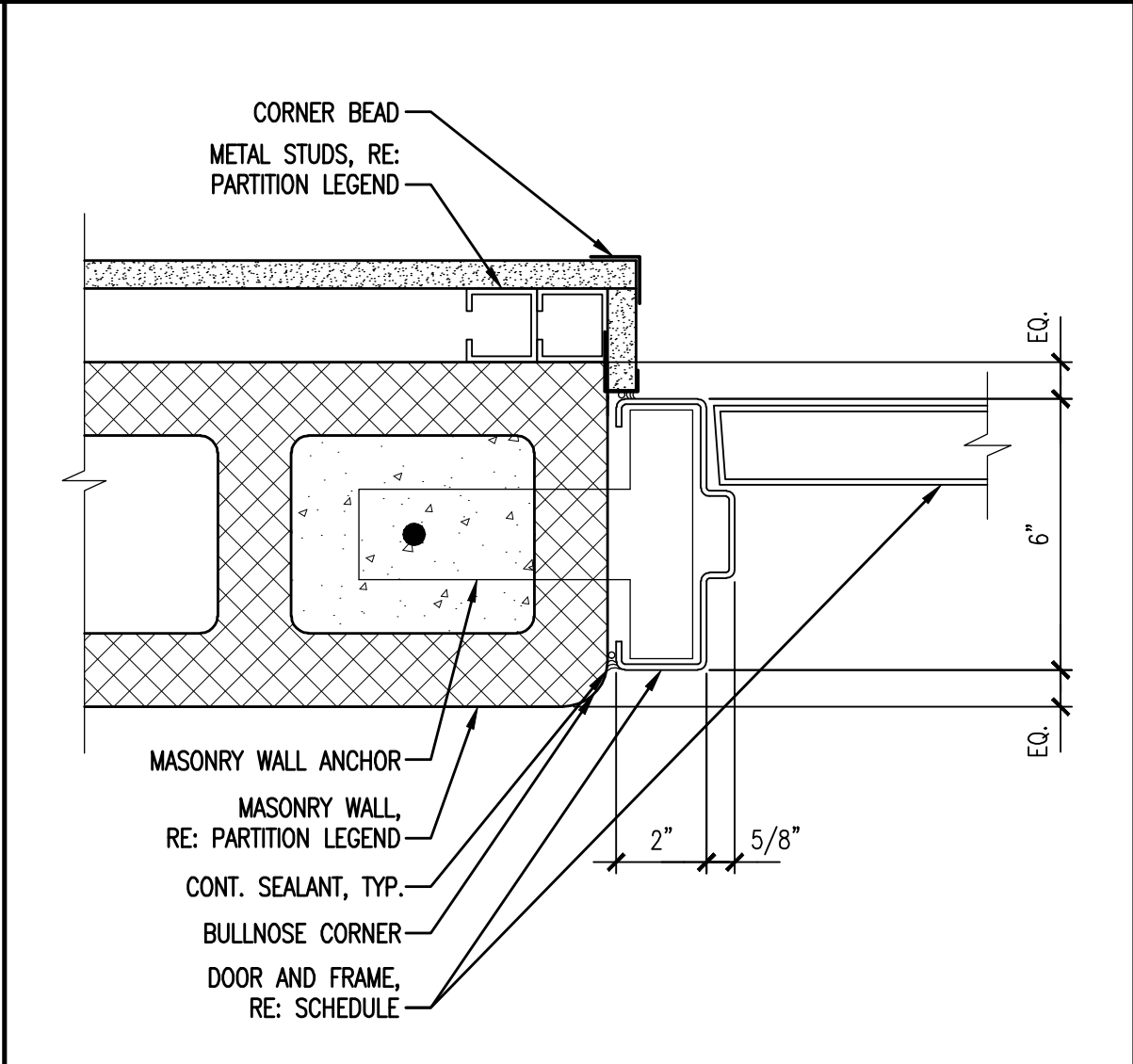
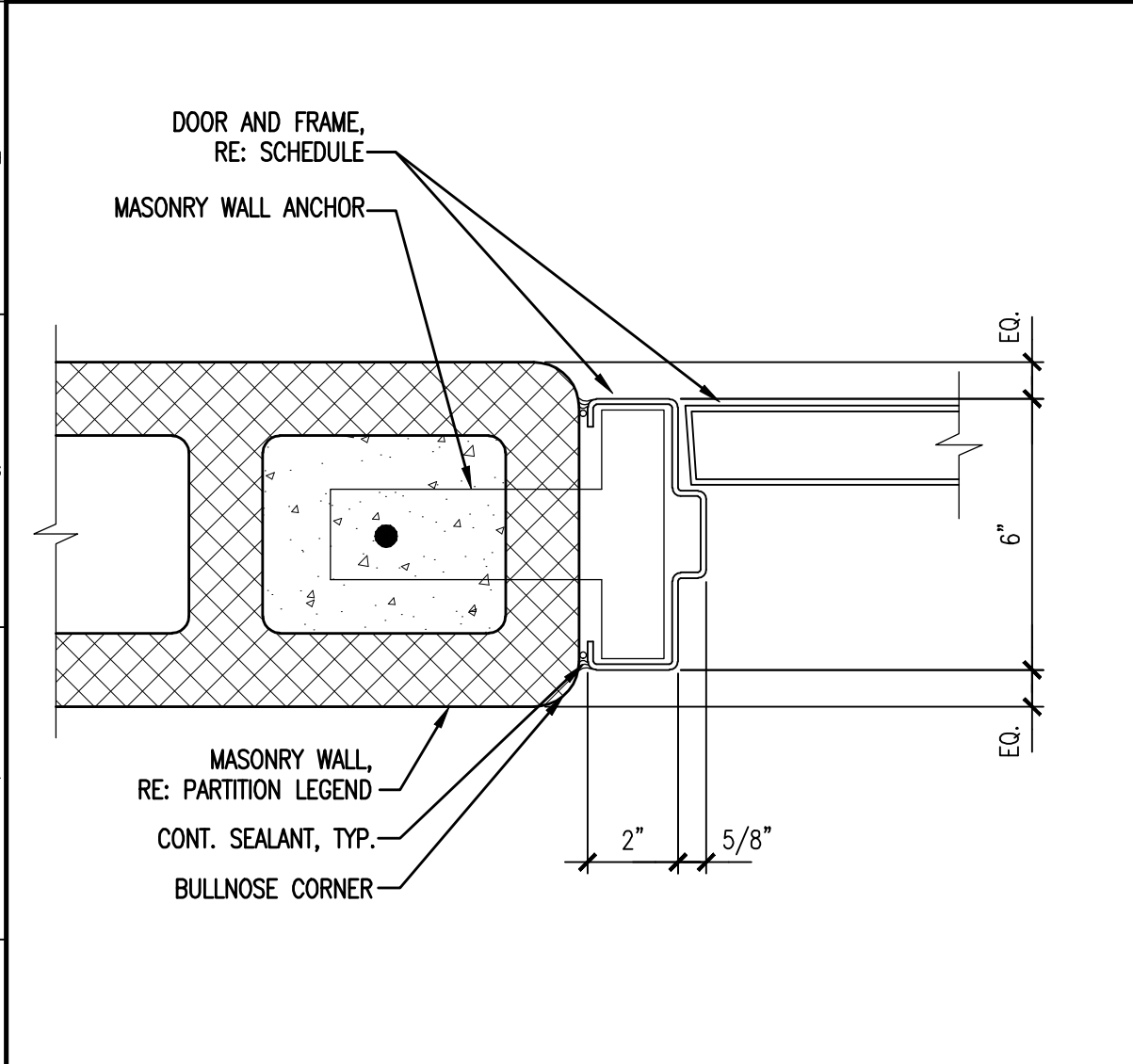


J1 HEAD DETAIL
3" = 1'-0"

J4 HEAD DETAIL
3" = 1'-0"

J7 HEAD DETAIL
3" = 1'-0"

J10 HEAD DETAIL
3" = 1'-0"

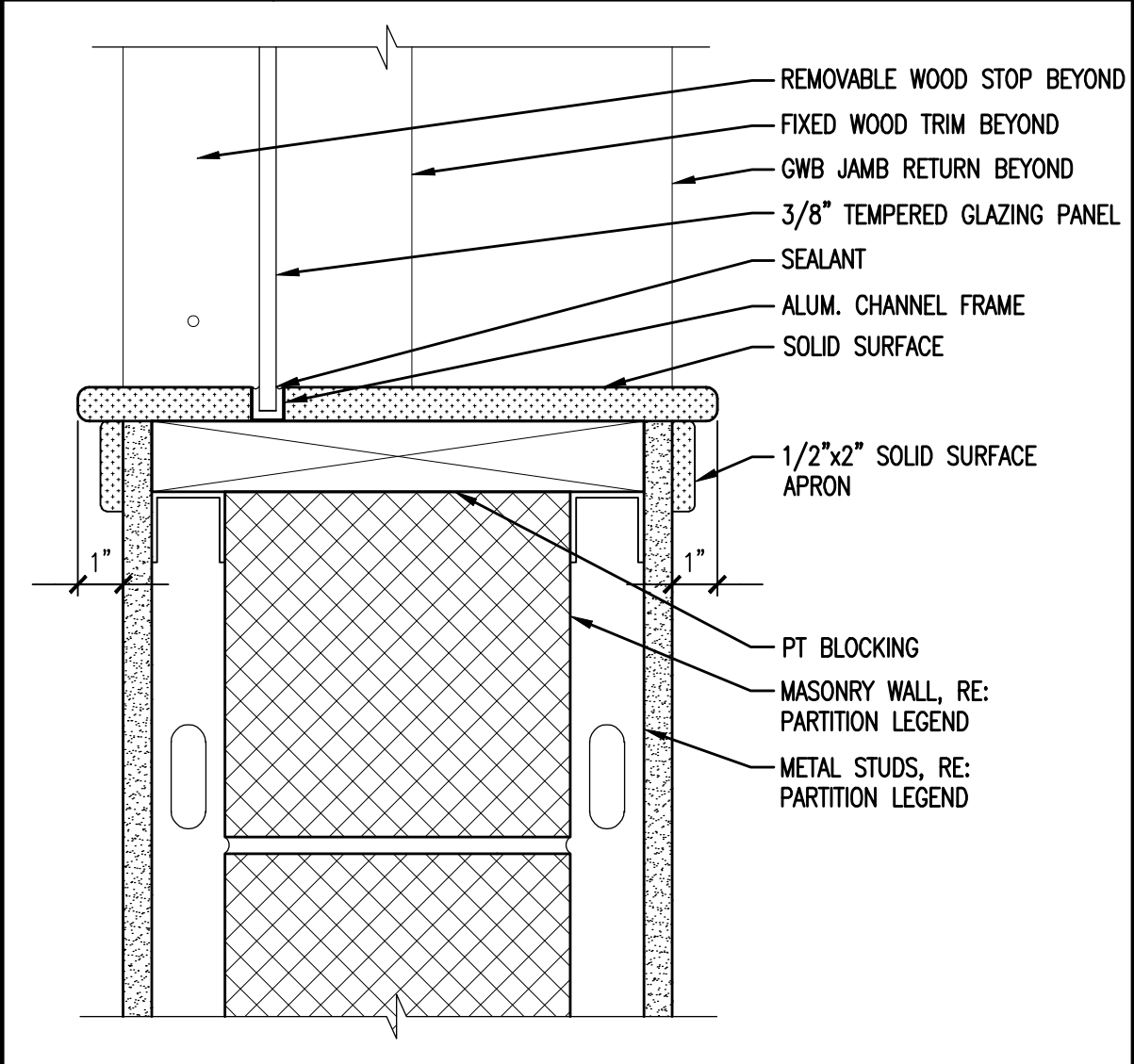
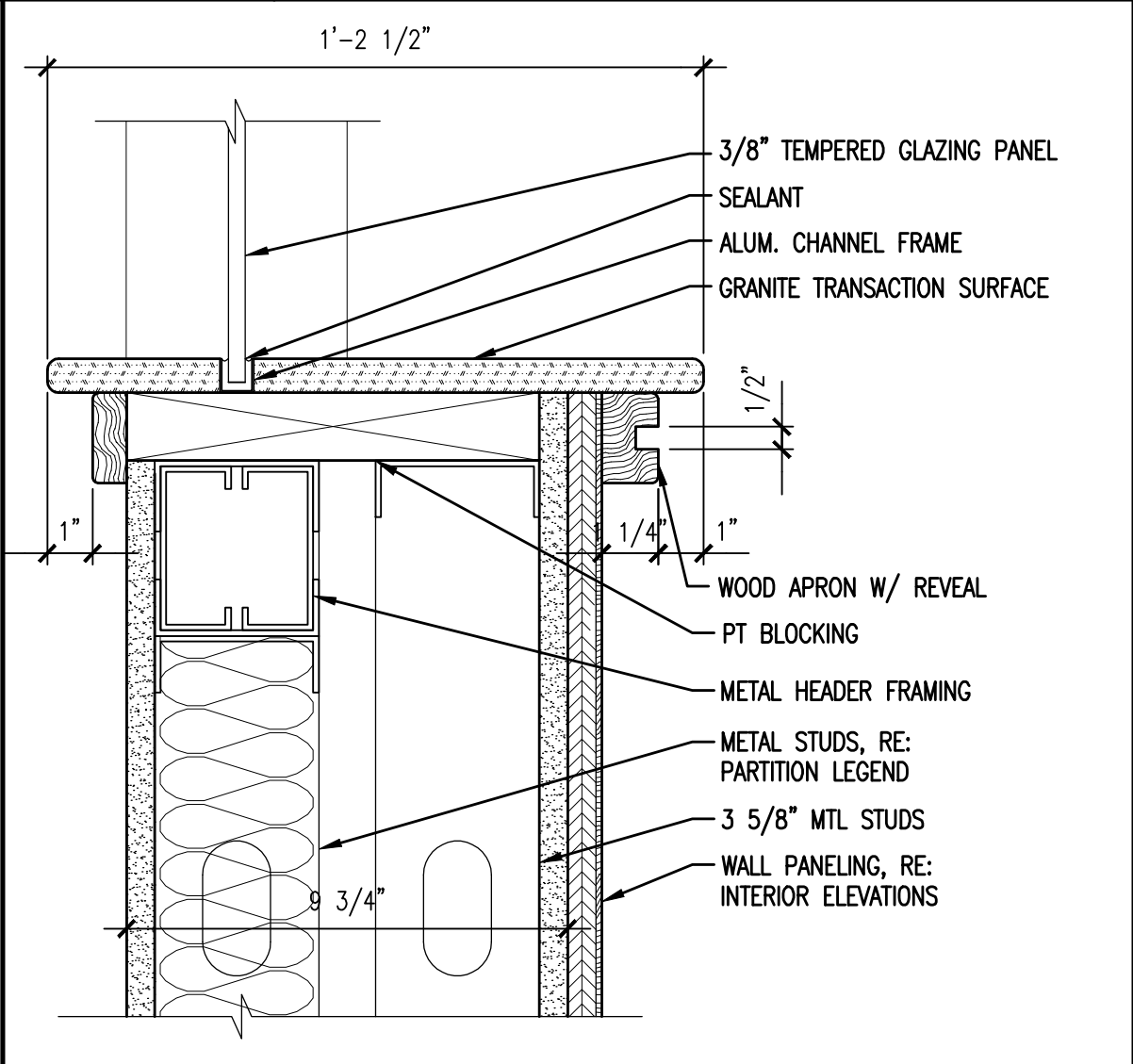
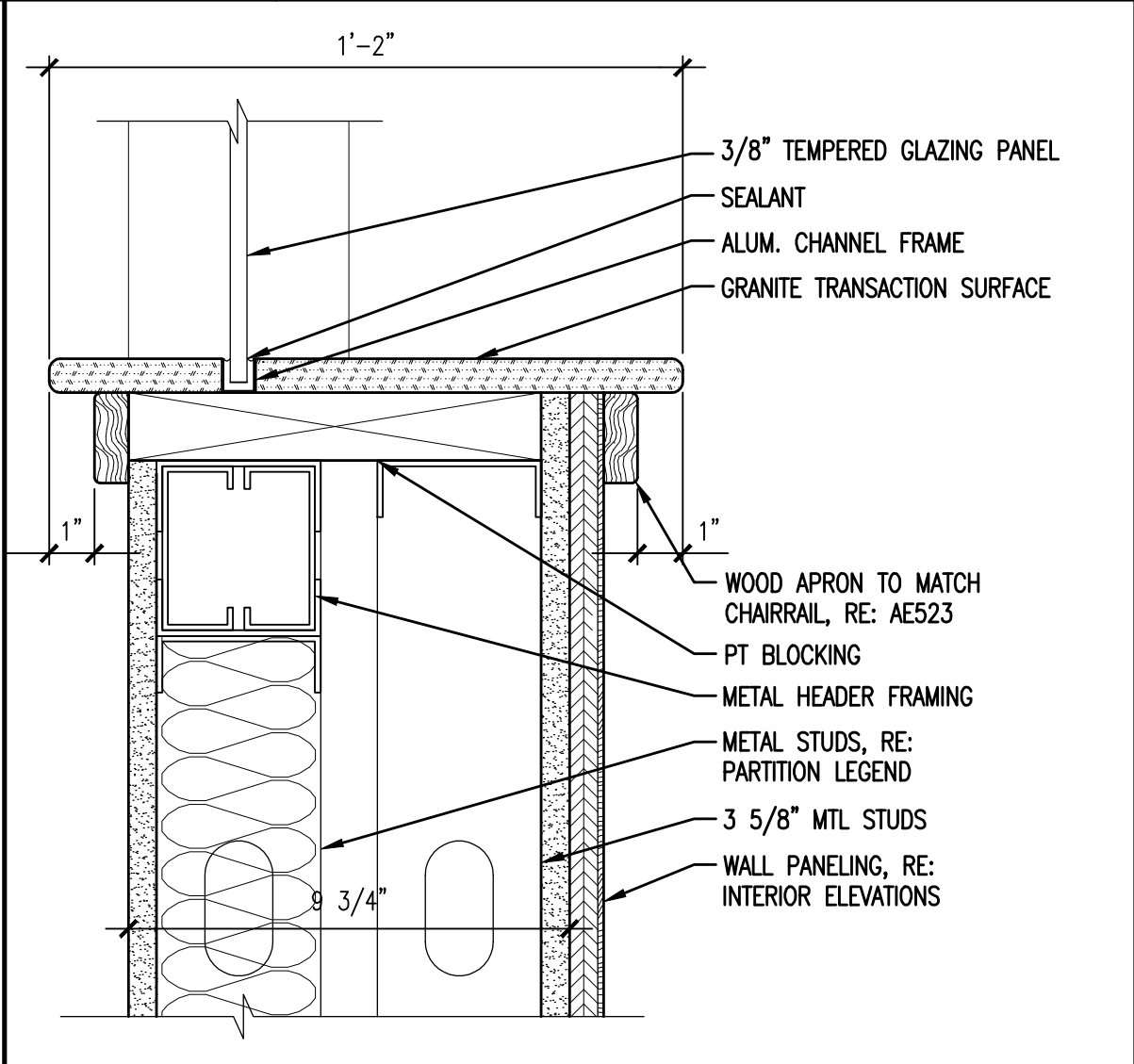


E1 JAMB DETAIL
3" = 1'-0"

E4 JAMB DETAIL
3" = 1'-0"

E7 JAMB DETAIL
3" = 1'-0"

E10 JAMB DETAIL
3" = 1'-0"



A1 JAMB DETAIL
3" = 1'-0"

A4 HEAD DETAIL
3" = 1'-0"

A7 JAMB DETAIL
3" = 1'-0"

A10 SILL DETAIL
3" = 1'-0"

GENERAL NOTES:

1. SEE G1001 FOR PROJECT GENERAL NOTES.

SM SRT
ARCHITECTURE ENGINEERING PLANNING
SWRT
144 Fore Street/P.O. Box 618
Portland, Maine 04104
tel. (207) 772-3846
fax. (207) 772-1070

PROJECT NORTH
MAG NORTH

PROJECT TITLE: MAINE TURNPIKE AUTHORITY ADMINISTRATION BUILDING
PORTLAND, MAINE
CURRENT ISSUE STATUS: ISSUED FOR BIDDING/CONSTRUCTION
7-9-07

REV	DESCRIPTION	DATE
0	BIDDING/CONSTRUCTION	7-9-07

GRAPHIC SCALE: 0" 1"
SCALE: AS NOTED
PROJECT MANAGER: SLB
JC/DRAWN BY: TCM/TCM
A/E OF RECORD: SLB
CAD FILE: AE625-06016
PROJECT NO: 06016
DATE: 7-9-07
SHEET TITLE: DOOR & WINDOW DETAILS
SHEET No. AE625