

**GENERAL NOTES:**  
1. SEE G1001 FOR PROJECT GENERAL NOTES.

**SM SRT**  
ARCHITECTURE ENGINEERING PLANNING  
SWRT  
144 Fore Street/P.O. Box 618  
Portland, Maine 04104  
tel. (207) 772-3846  
fax. (207) 772-1070

J1

J4 HEAD DETAIL

J7 HEAD DETAIL

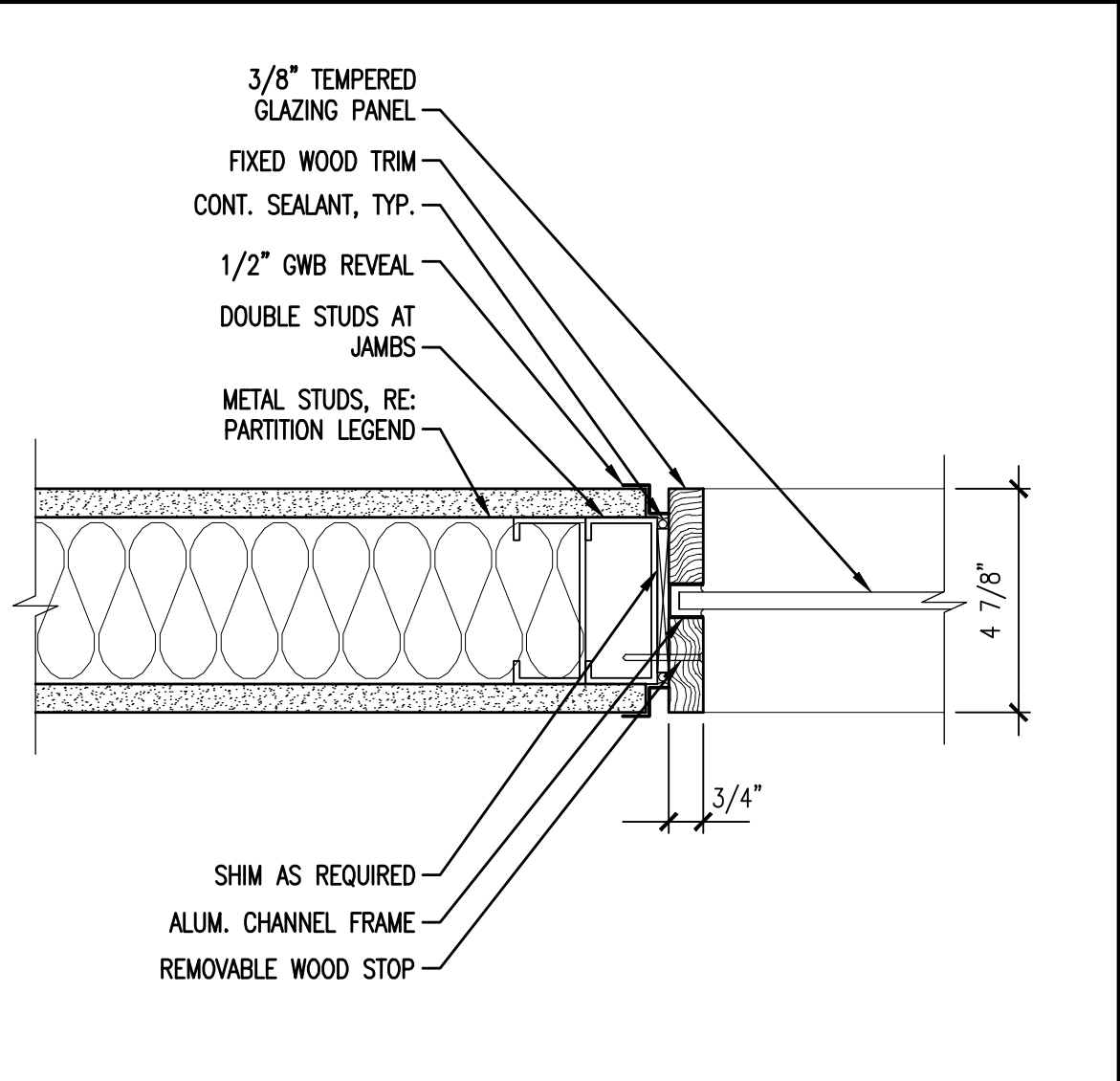
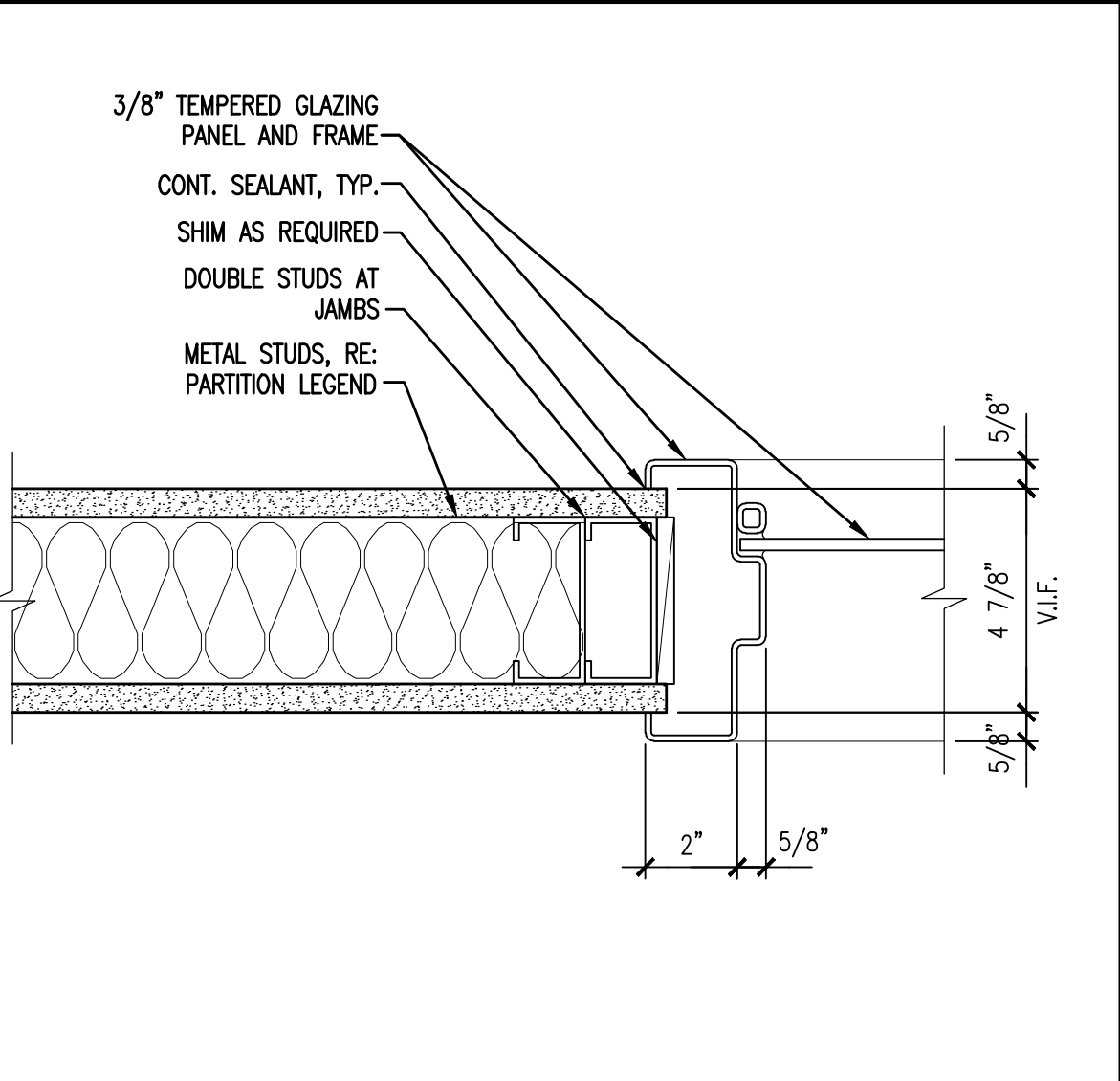
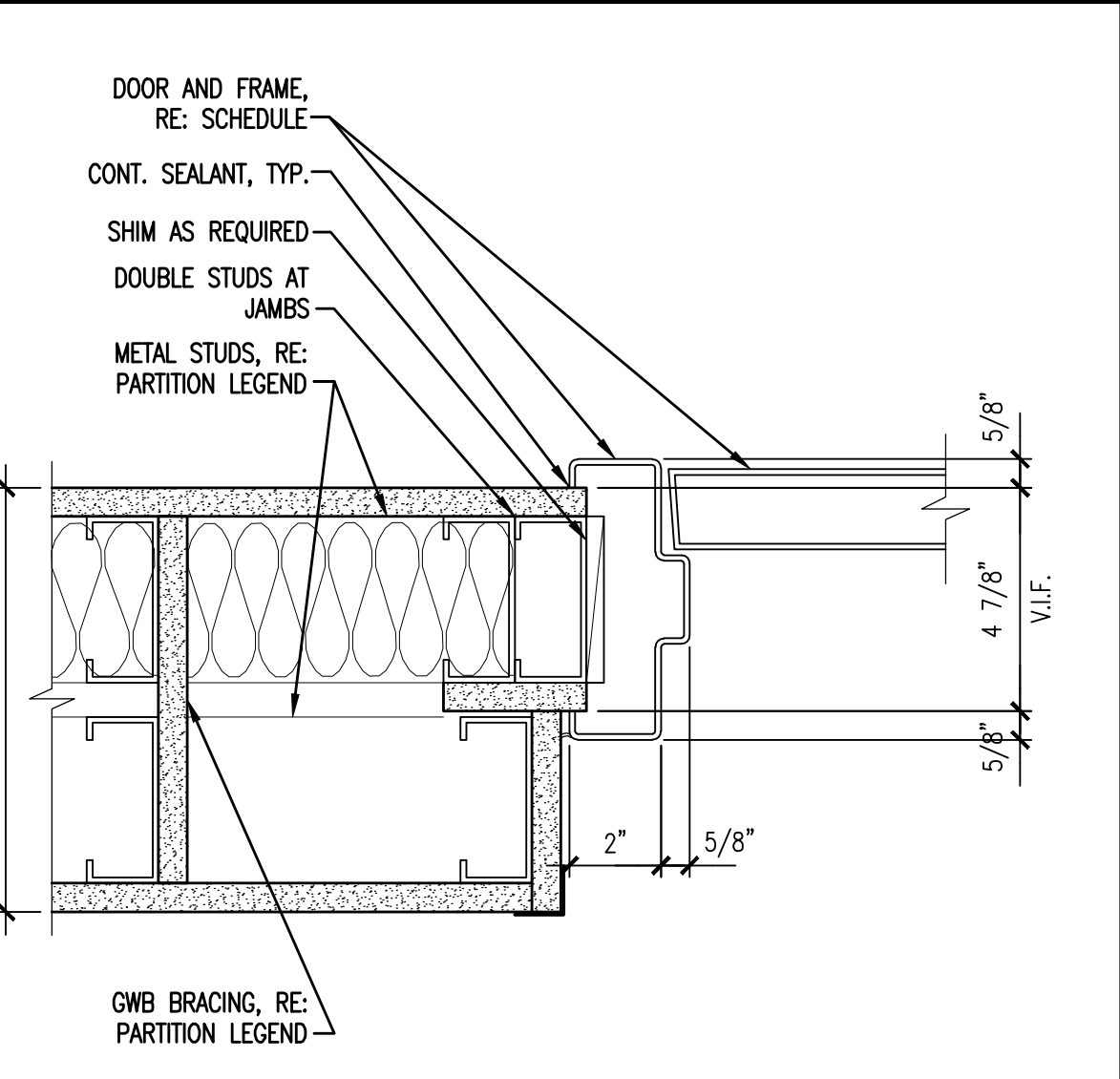
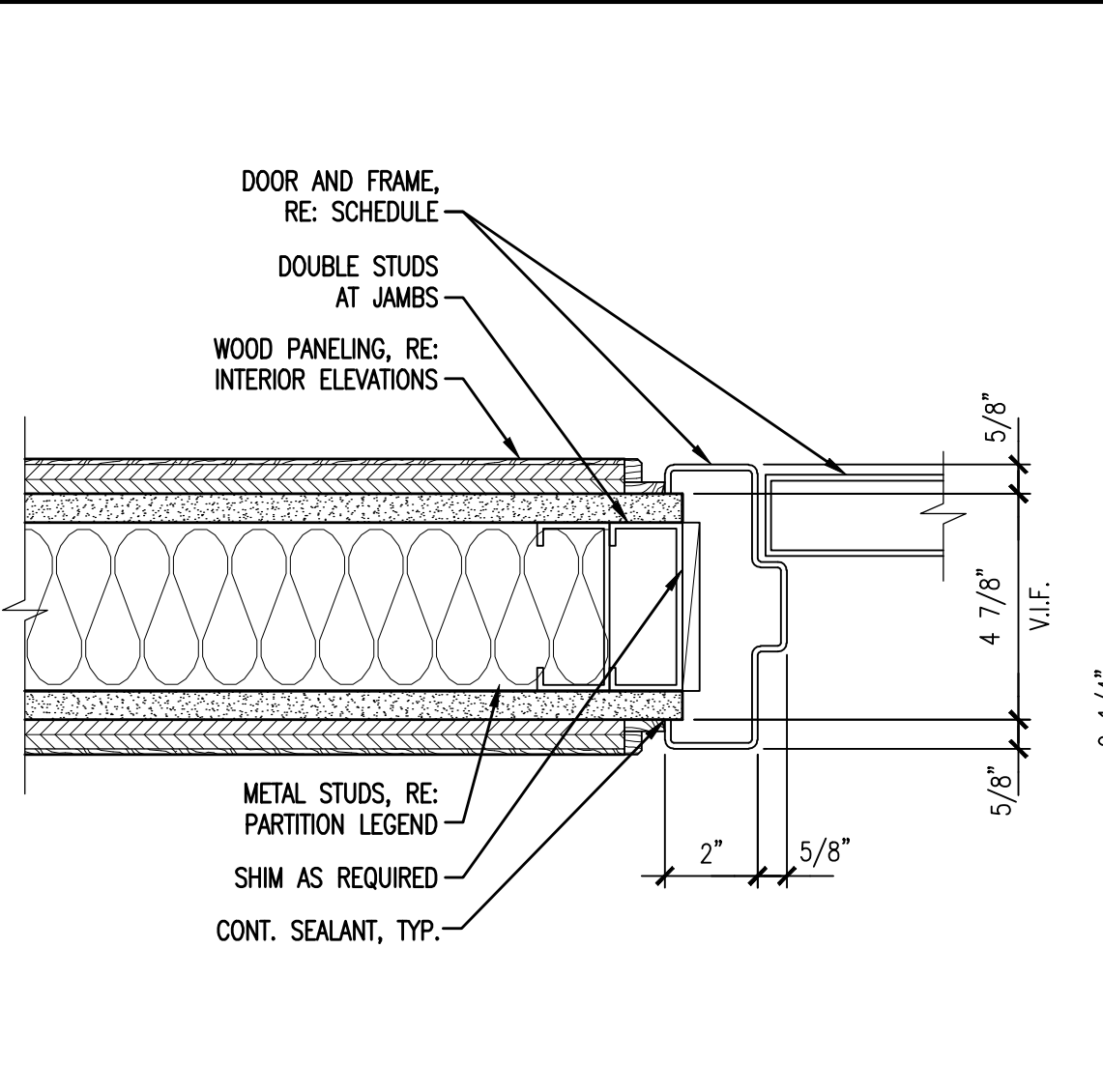
J10 HEAD DETAIL

\*

3" = 1'-0"

3" = 1'-0"

3" = 1'-0"



E1

E4 JAMB DETAIL

E7 JAMB DETAIL

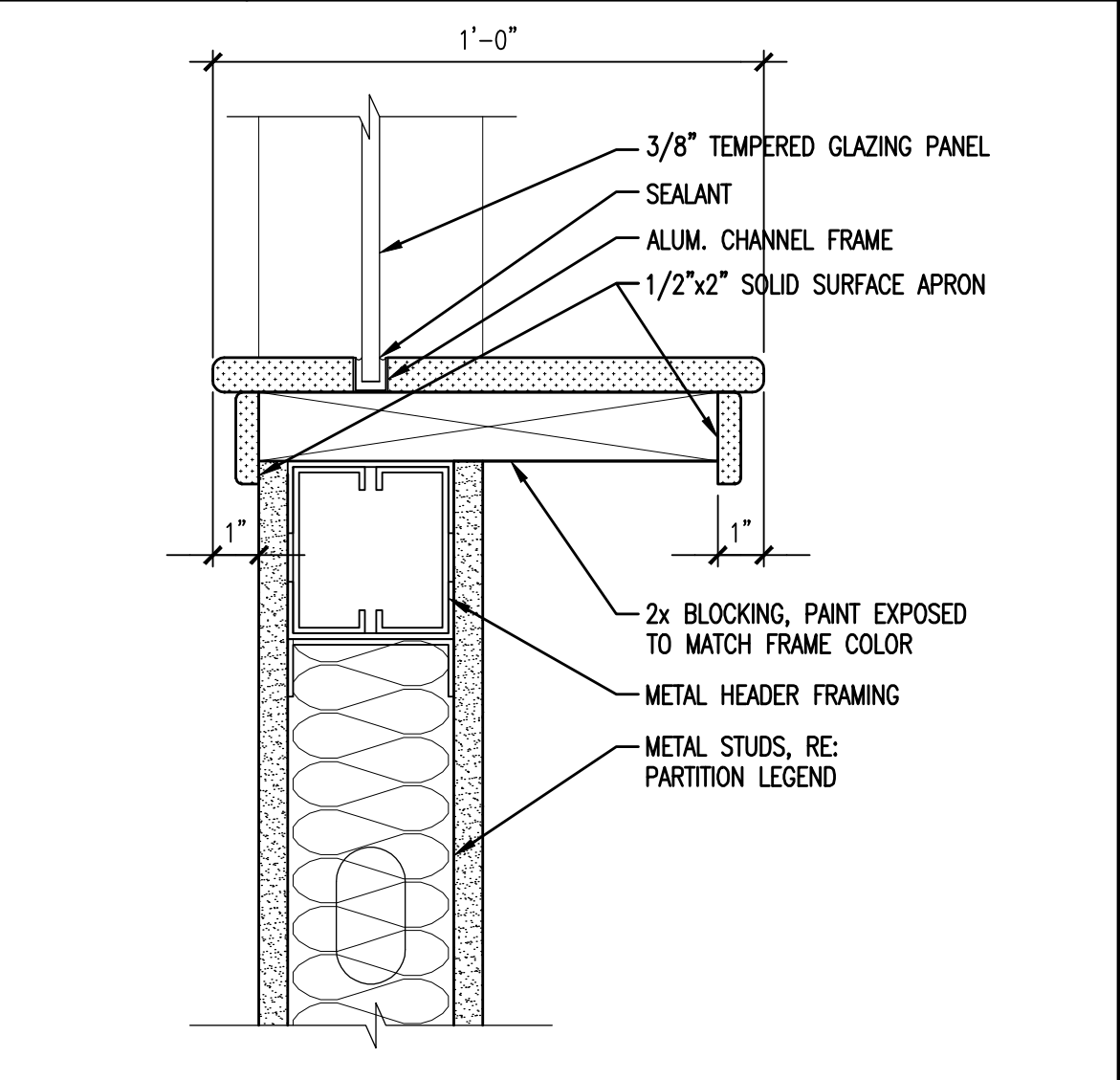
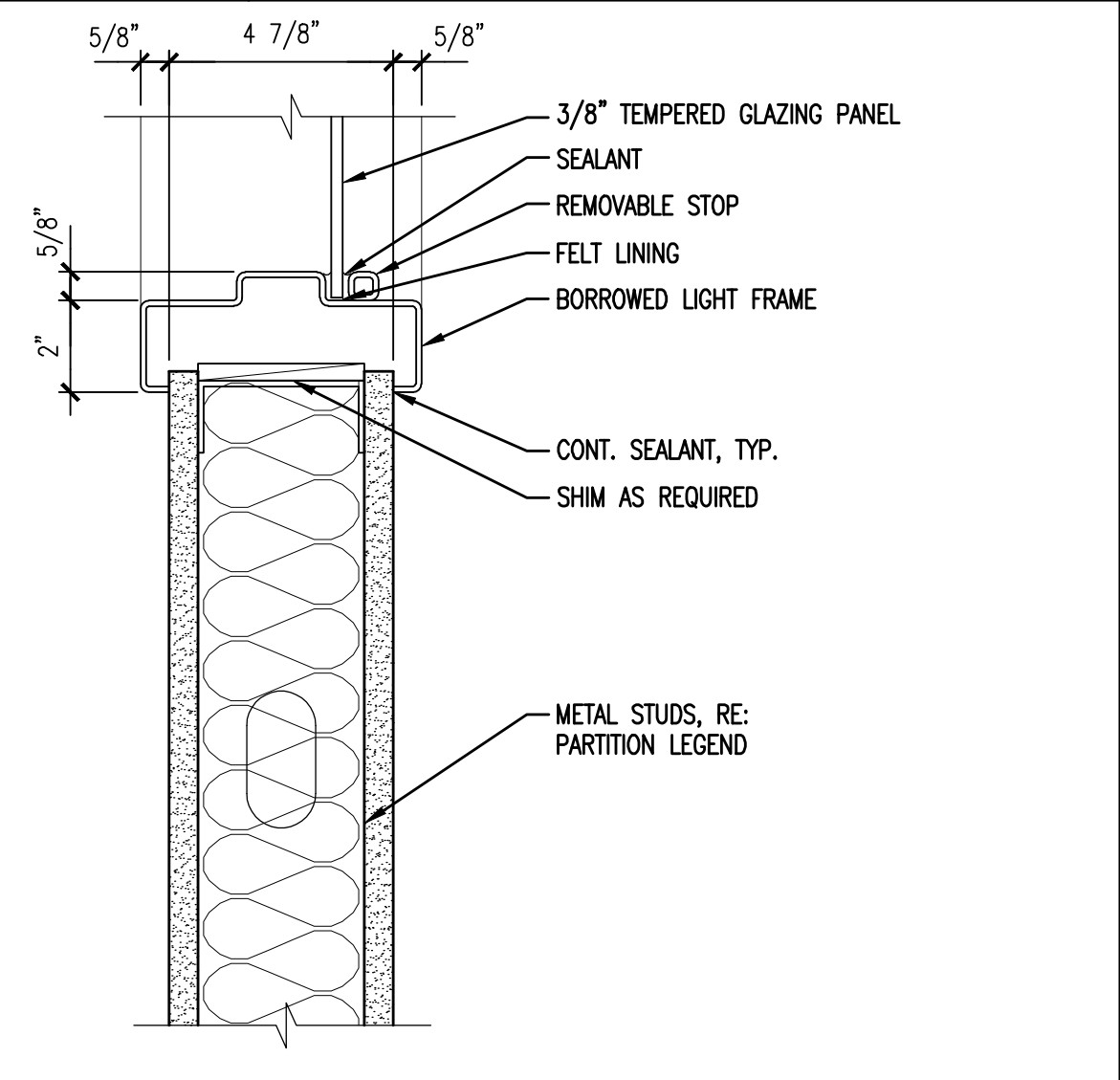
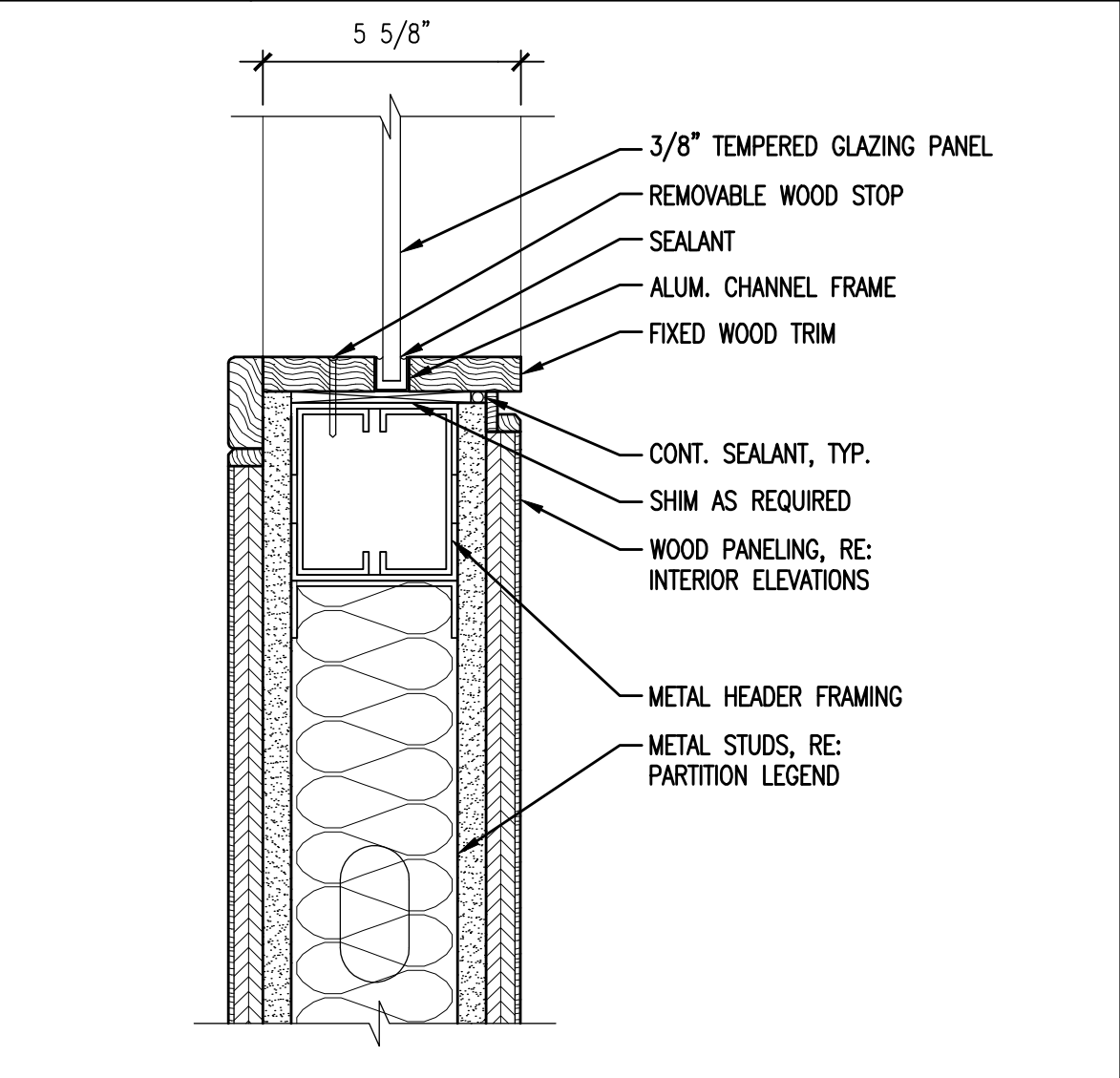
E10 JAMB DETAIL

3" = 1'-0"

3" = 1'-0"

3" = 1'-0"

3" = 1'-0"



A1

A4 SILL DETAIL

A7 SILL DETAIL

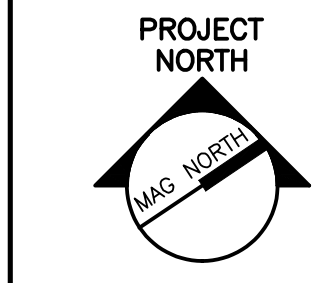
A10 SILL DETAIL

\*

3" = 1'-0"

3" = 1'-0"

3" = 1'-0"



PROJECT TITLE:  
**MAINE TURNPIKE AUTHORITY  
ADMINISTRATION BUILDING**  
PORTLAND, MAINE

CURRENT ISSUE STATUS:  
**ISSUED FOR BIDDING/CONSTRUCTION**  
7-9-07

REV	DESCRIPTION	DATE
0	BIDDING/CONSTRUCTION	7-9-07

GRAPHIC SCALE:  
0" 1"

SCALE: AS NOTED  
PROJECT MANAGER: SLB  
JC/DRAWN BY: TCM/TCM  
A/E OF RECORD: SLB  
CAD FILE: AE624-06016  
PROJECT NO: 06016  
DATE: 7-9-07

SHEET TITLE:  
**DOOR & WINDOW  
DETAILS**

SHEET No.  
**AE624**