

GENERAL NOTES:

1. SEE G1001 FOR PROJECT GENERAL NOTES.

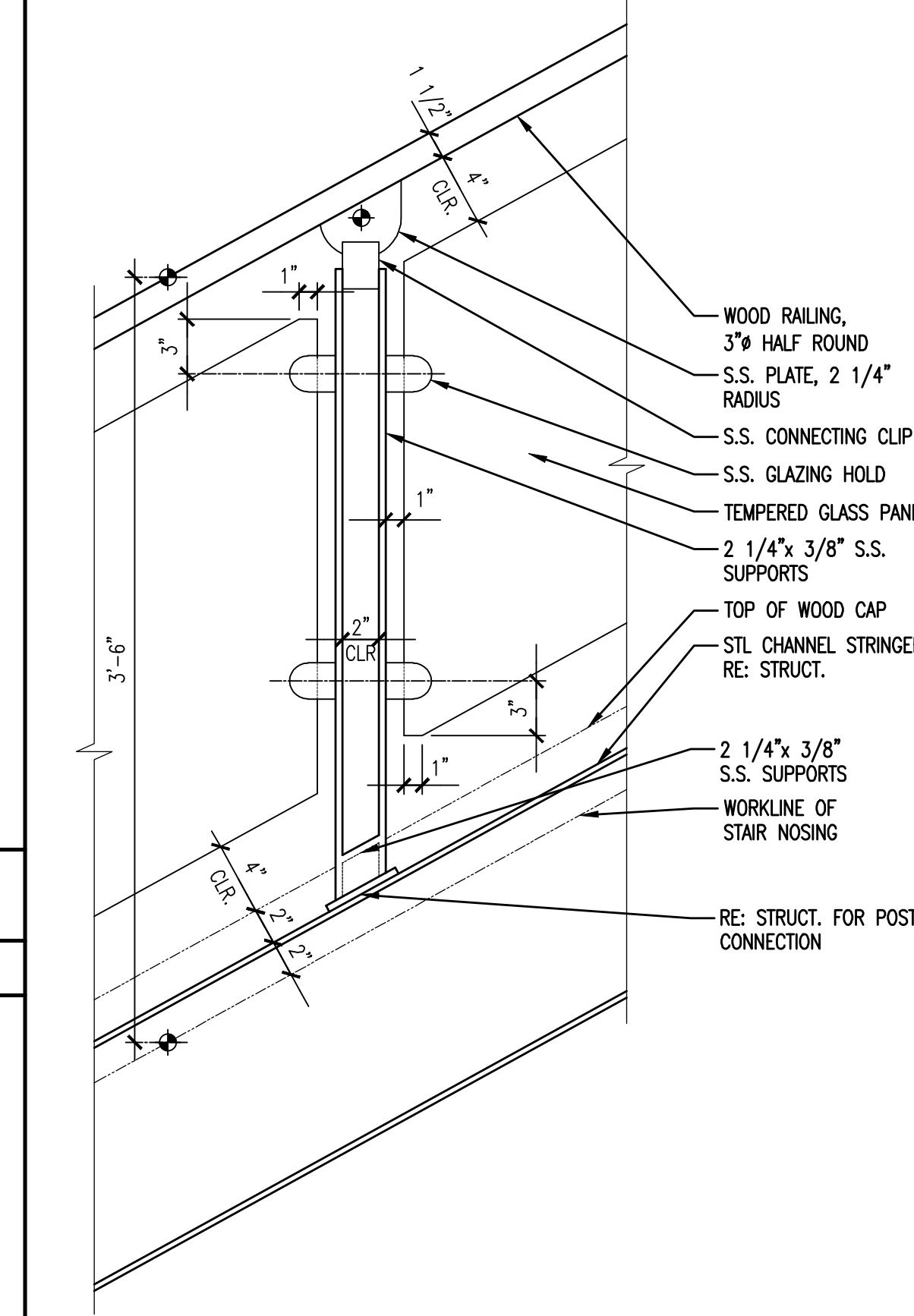
REV	DESCRIPTION	DATE
0	BIDDING/CONSTRUCTION	7-9-07

GRAPHIC SCALE:
0" = 1"

SCALE: AS NOTED
PROJECT MANAGER: SLB
JC/DRAWN BY: TCM/TCM
A/E OF RECORD: SLB
CAD FILE: AE544-06016
PROJECT NO: 06016
DATE: 7-9-07

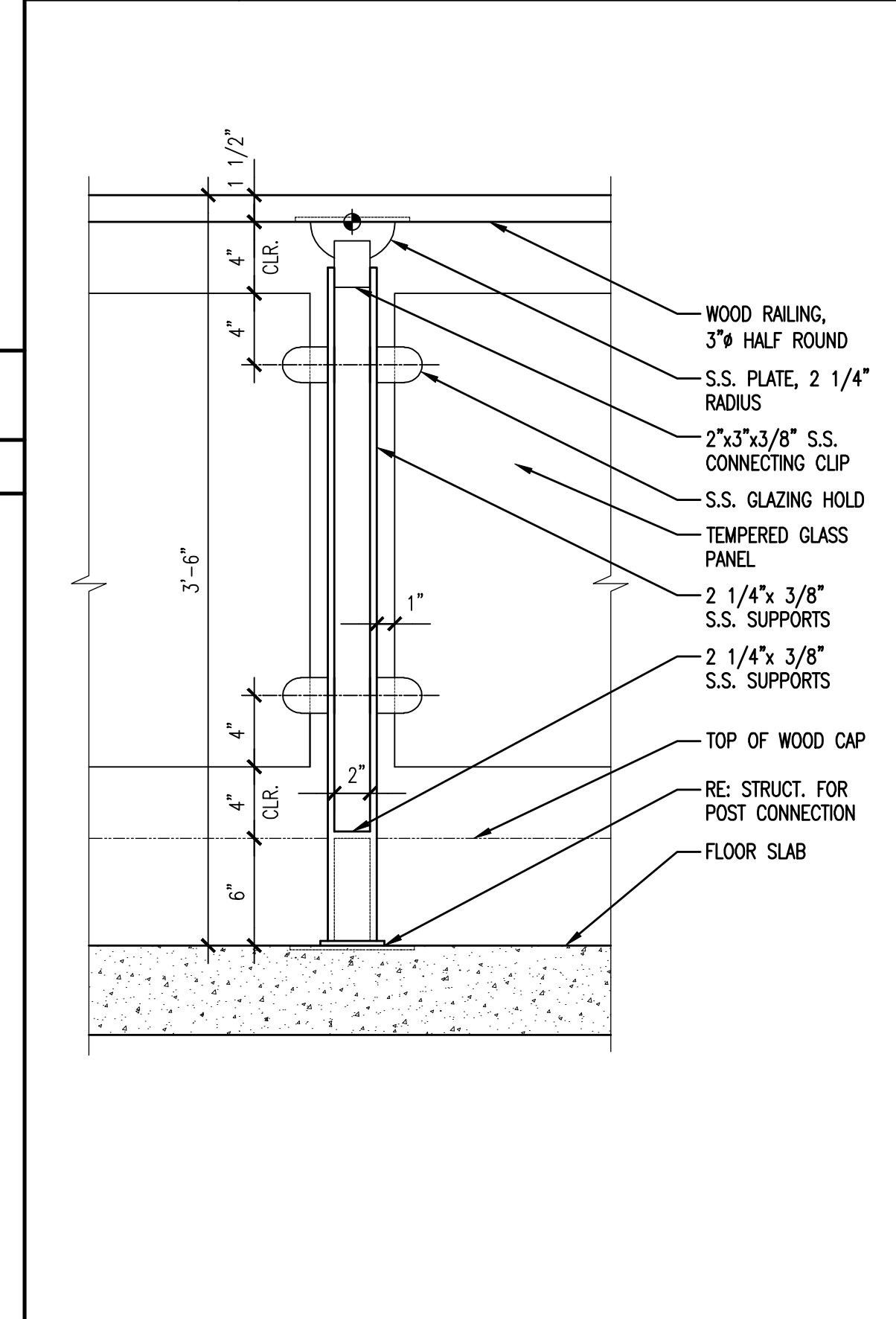
SHEET TITLE:
**RAILING
DETAILS**

SHEET No.
AE544



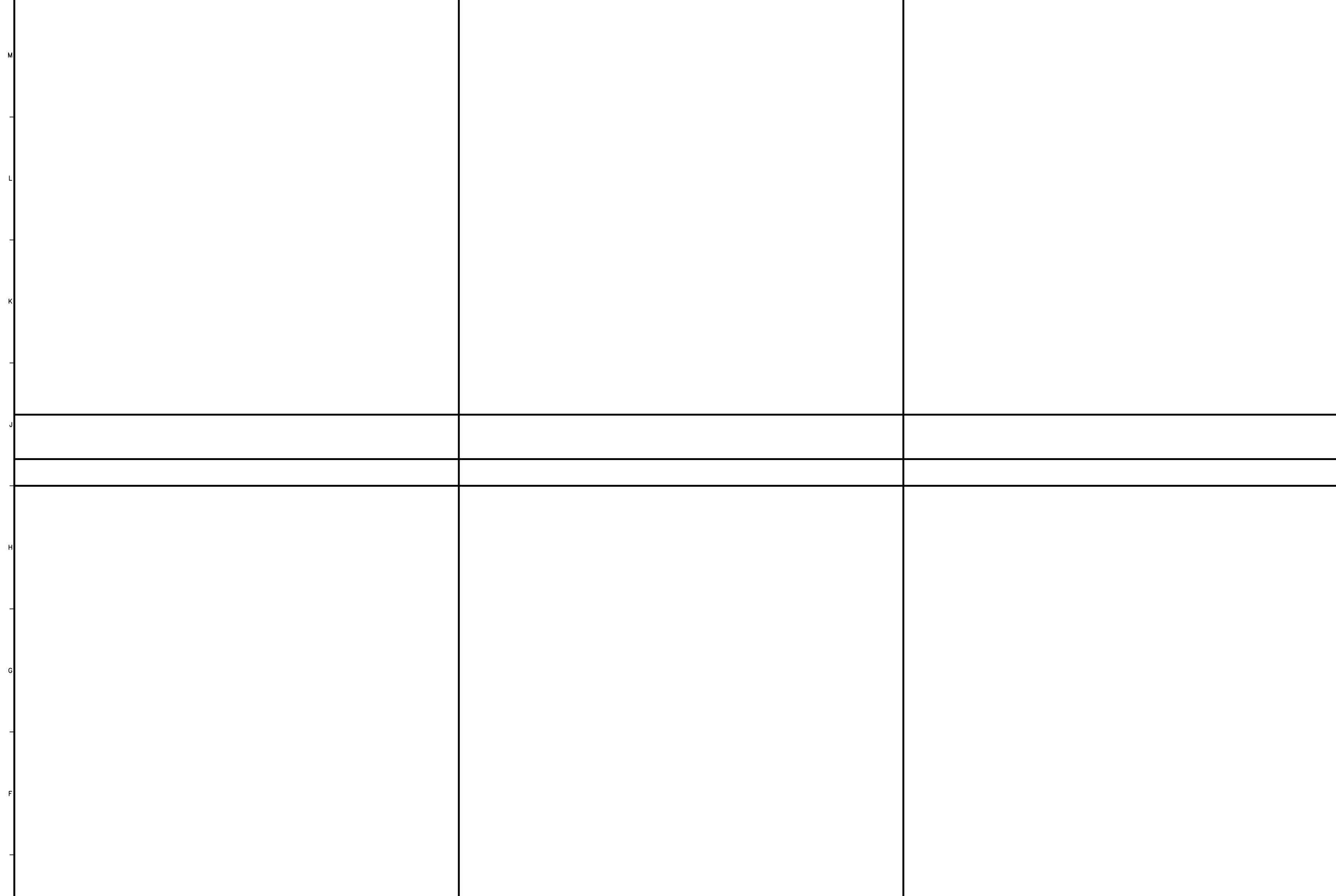
G10 SLOPED STAIR RAILING/POST

1 1/2" = 1'-0"

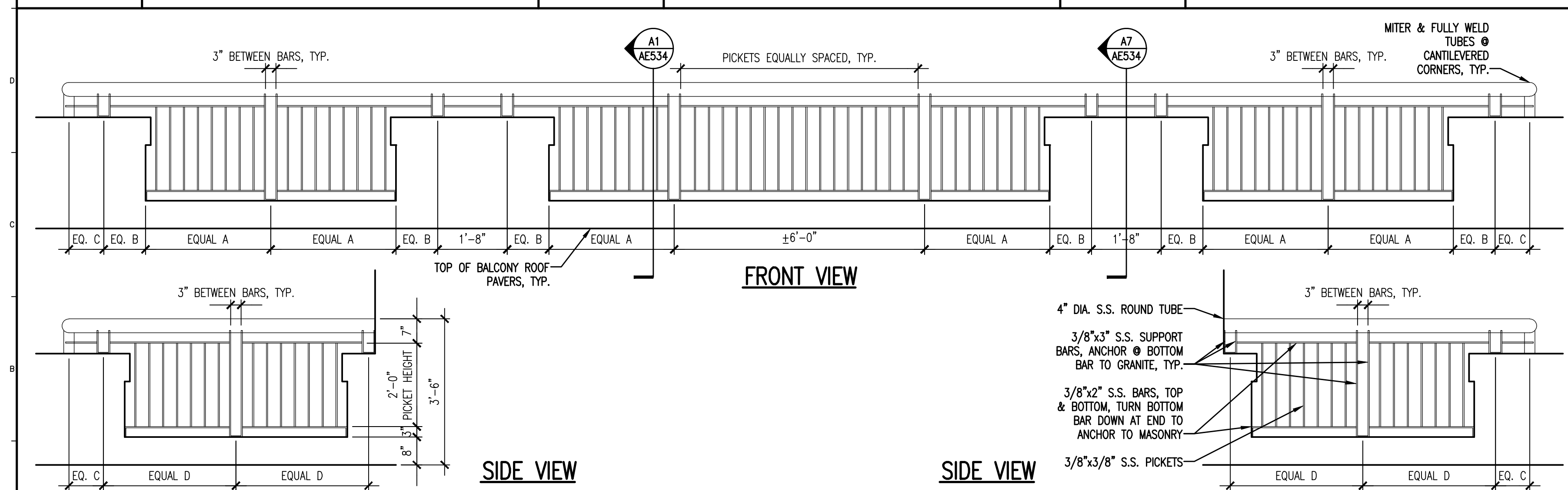


A10 TYPICAL STAIR RAILING/POST

1 1/2" = 1'-0"



A1 EXTERIOR BALCONIES - RAIL ELEVATIONS



A1 EXTERIOR BALCONIES - RAIL ELEVATIONS

1/2" = 1'-0"