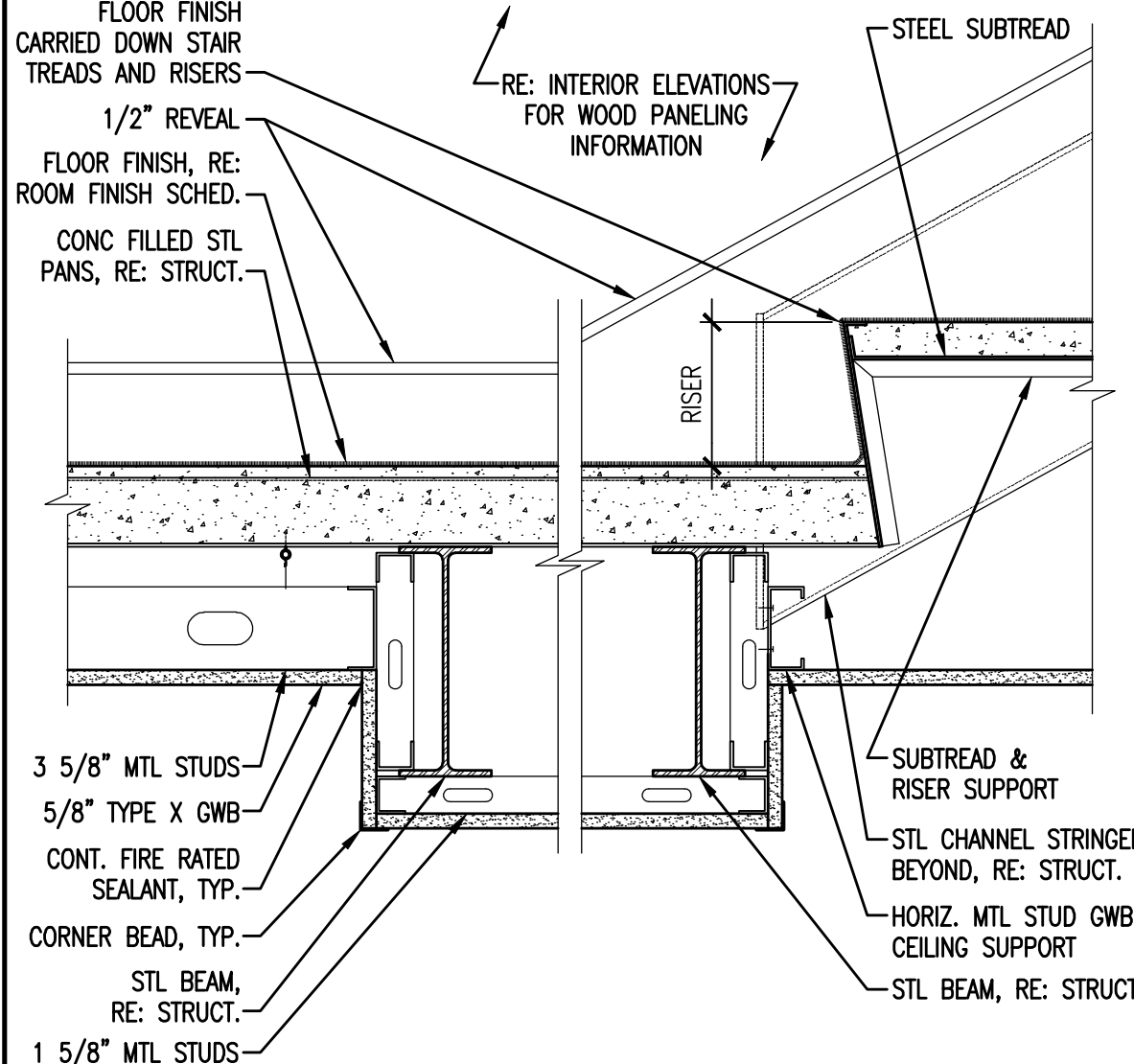


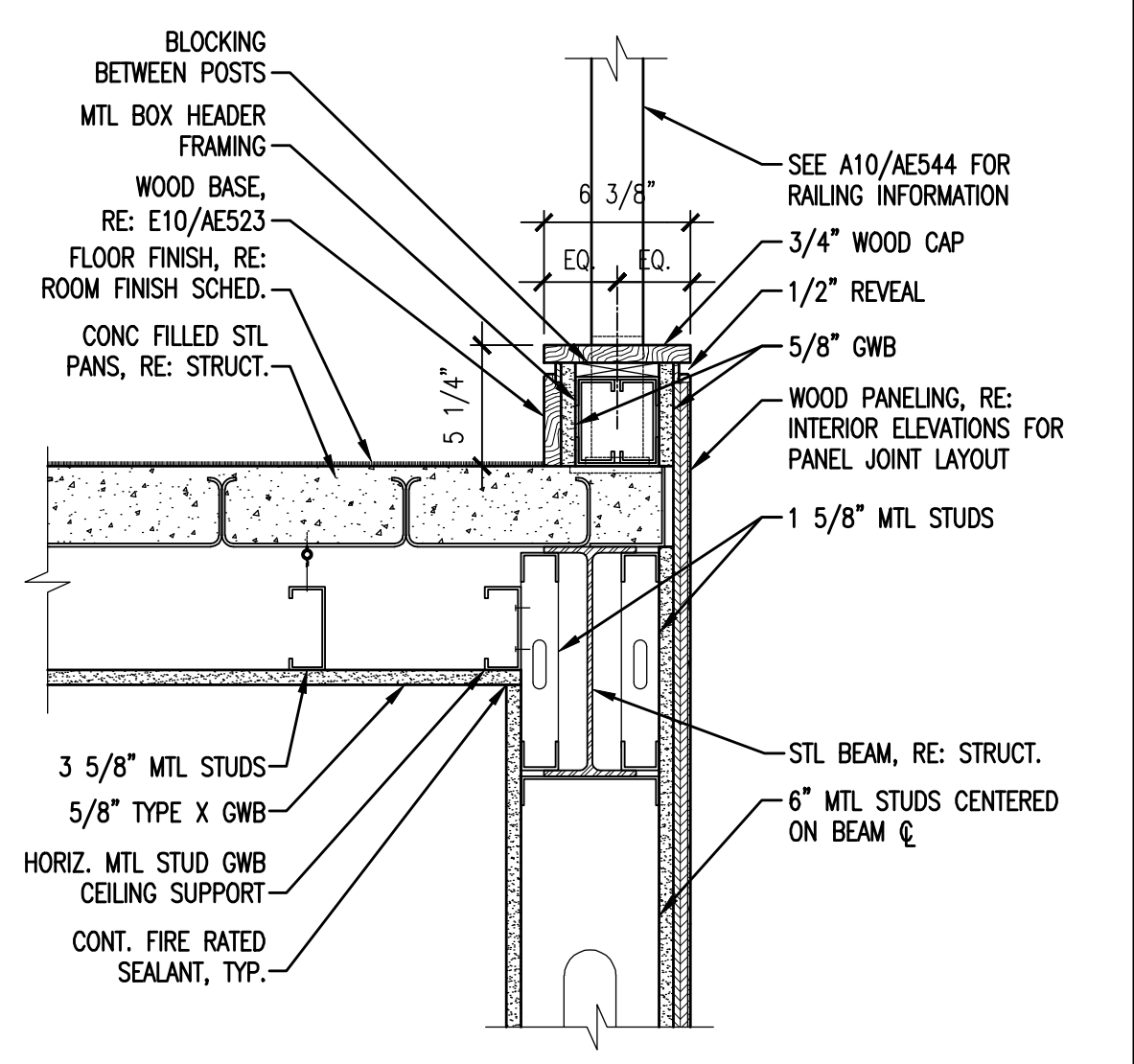
E1 SECTION @ STAIR

1 1/2" = 1'-0"



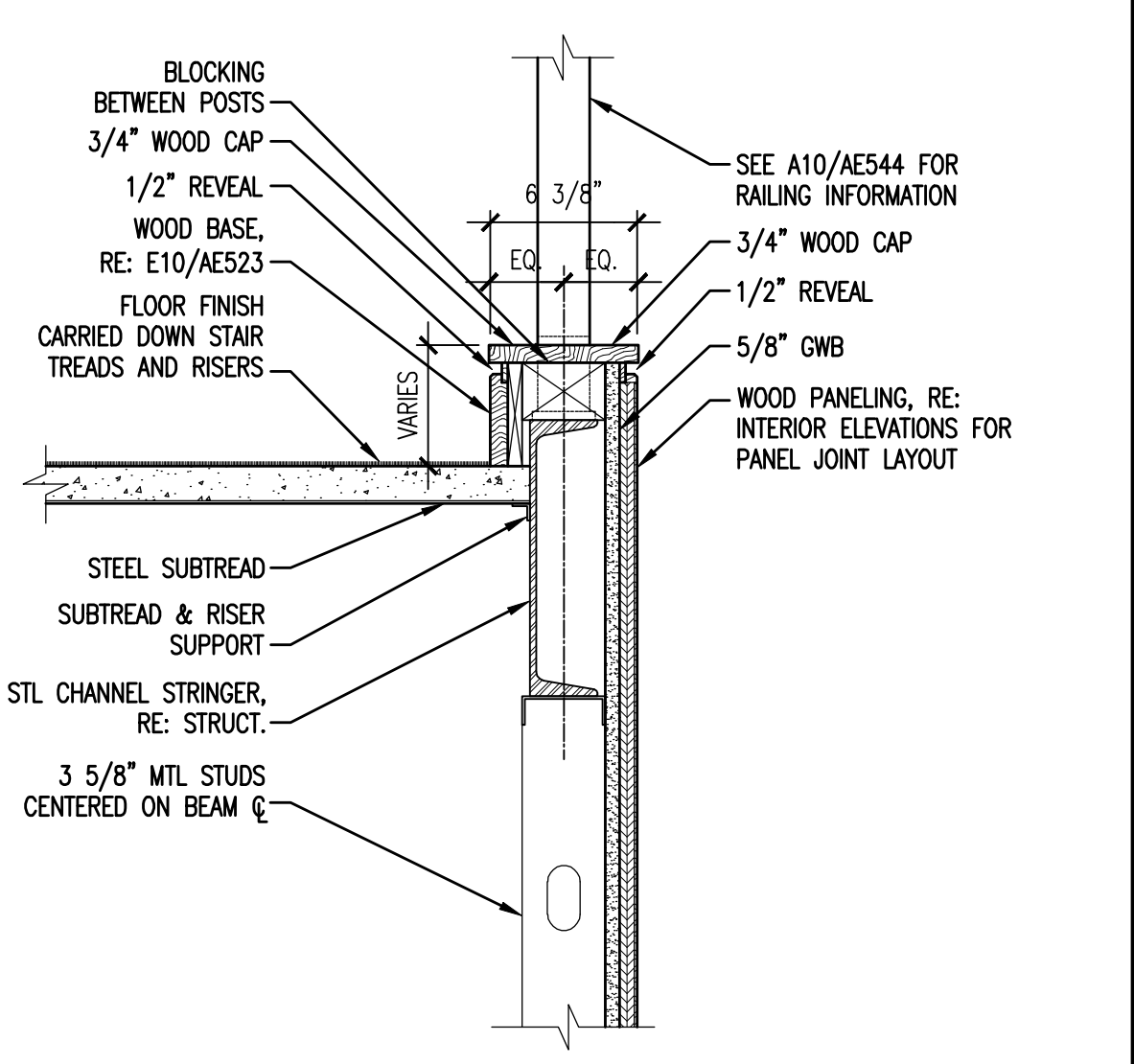
E4 SECTION @ STAIR

1 1/2" = 1'-0"



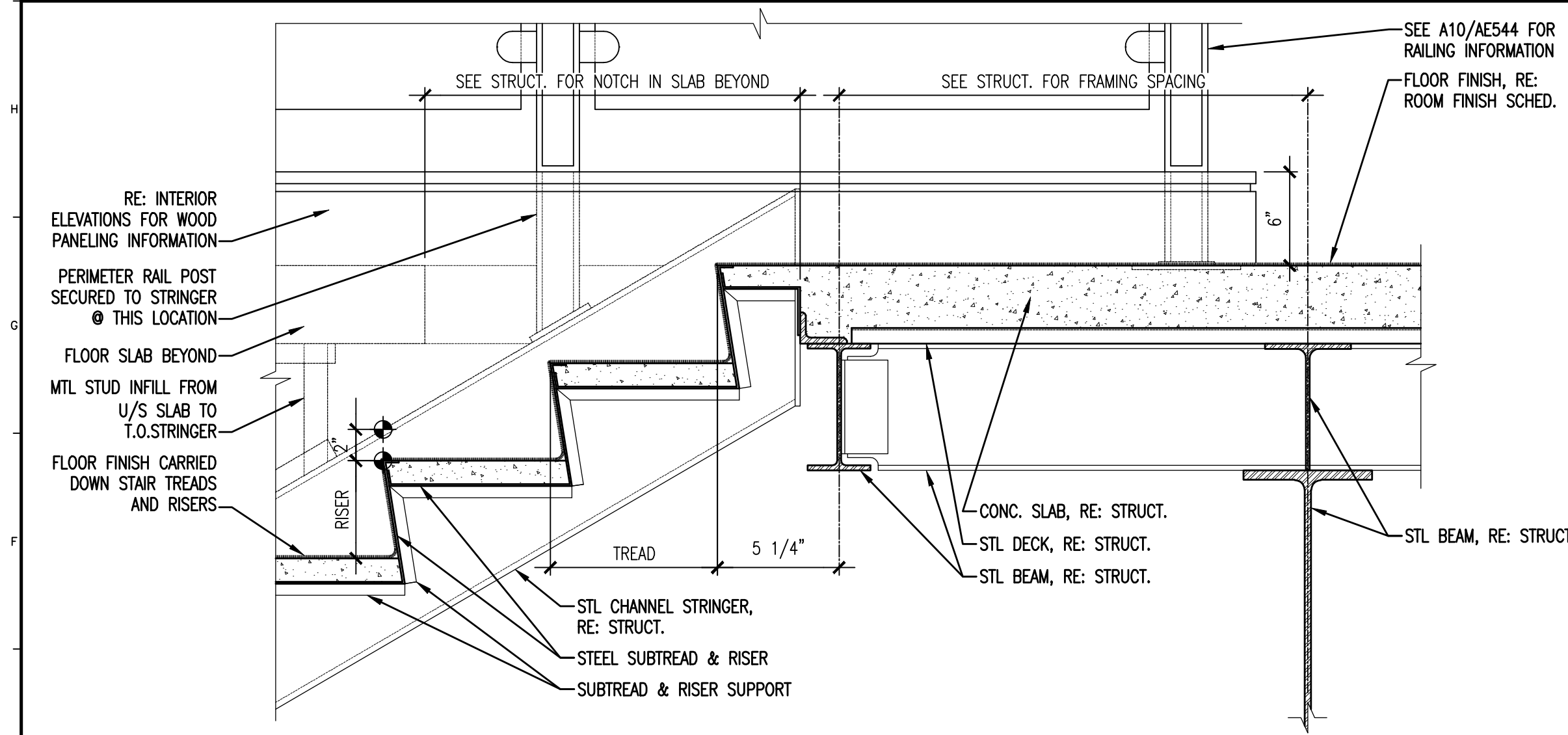
E7 SECTION @ STAIR

1 1/2" = 1'-0"



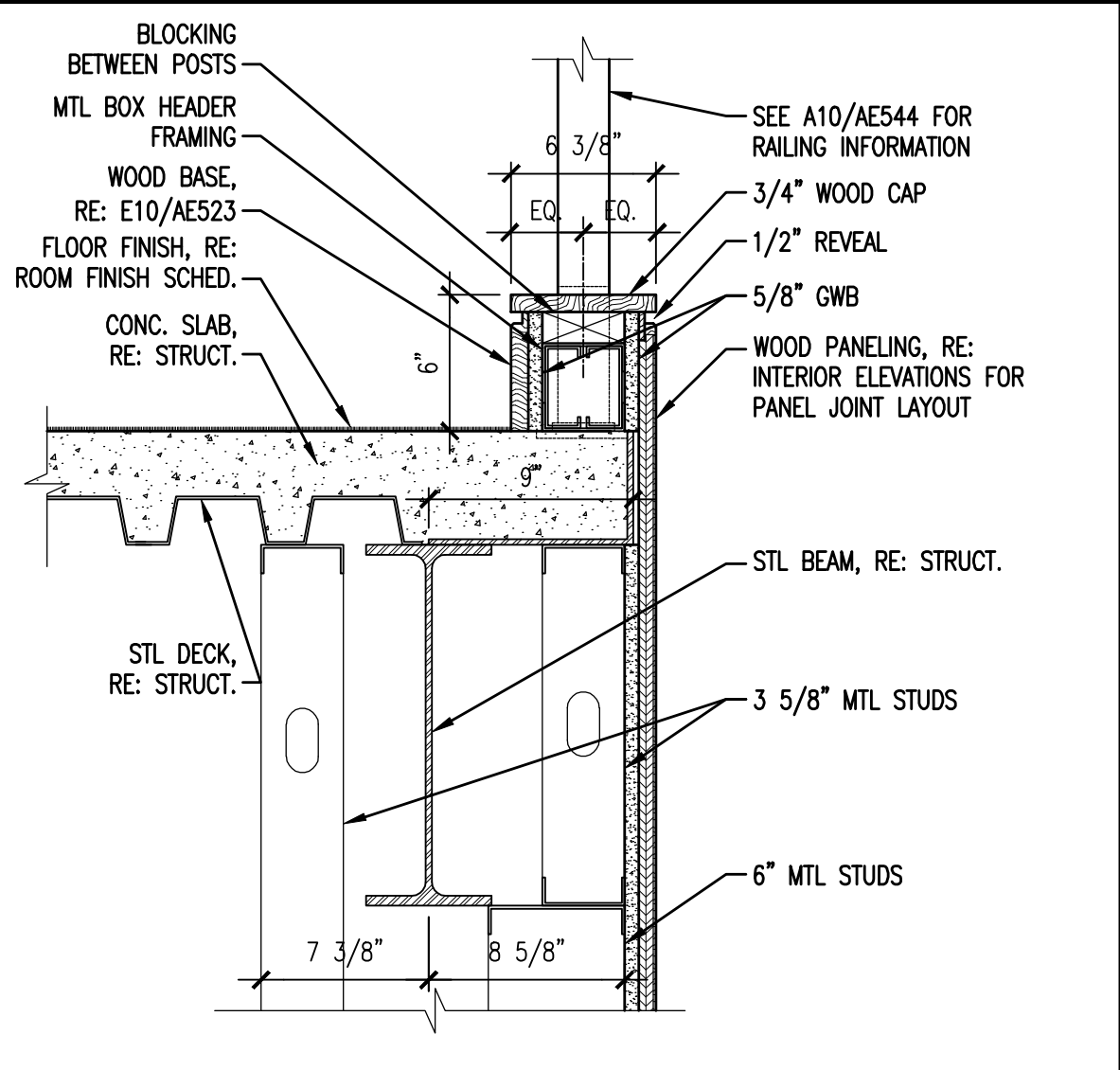
E10 SECTION @ STAIR

1 1/2" = 1'-0"



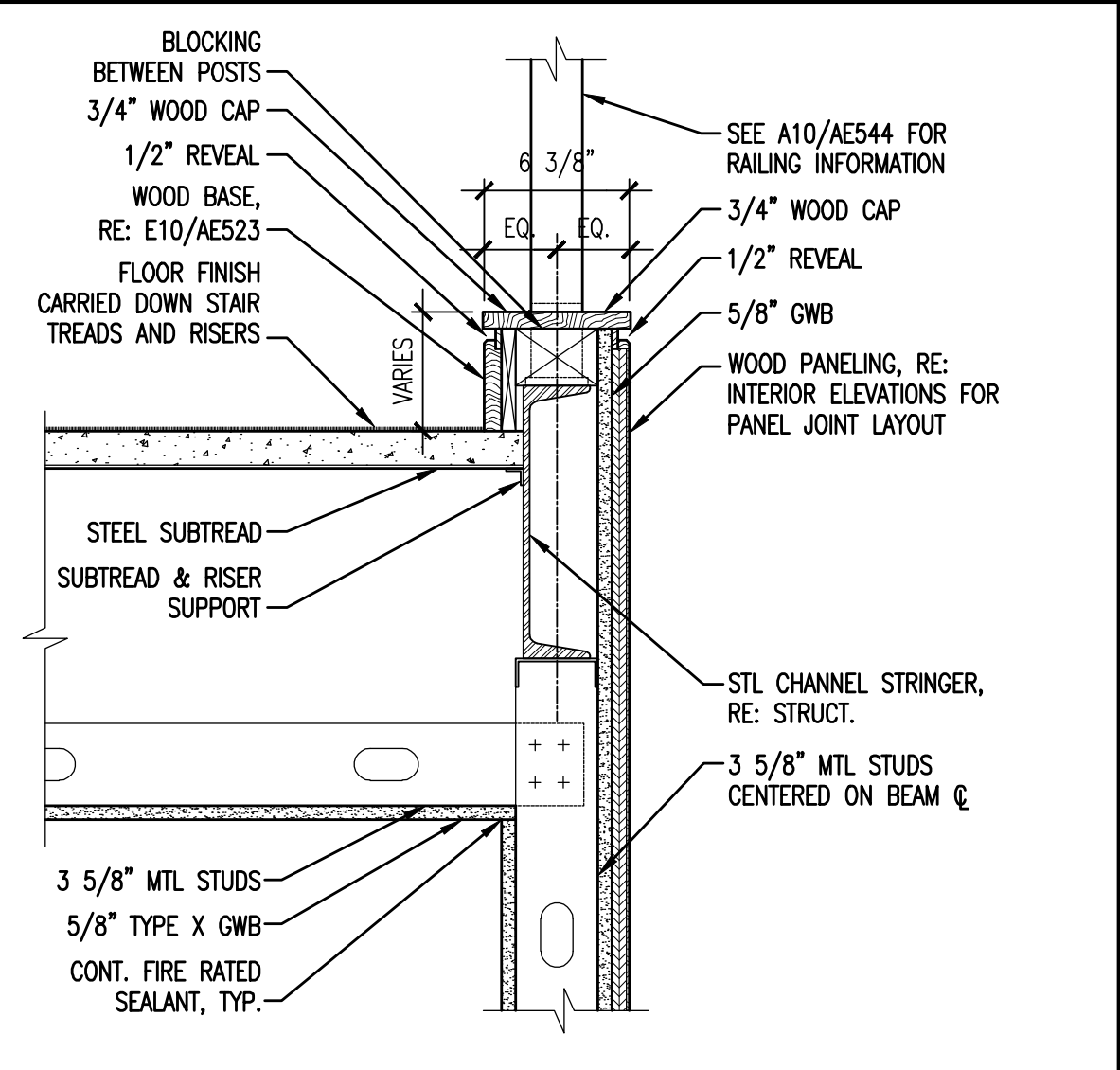
E1 SECTION DETAIL @ TOP OF STAIR

1 1/2" = 1'-0"



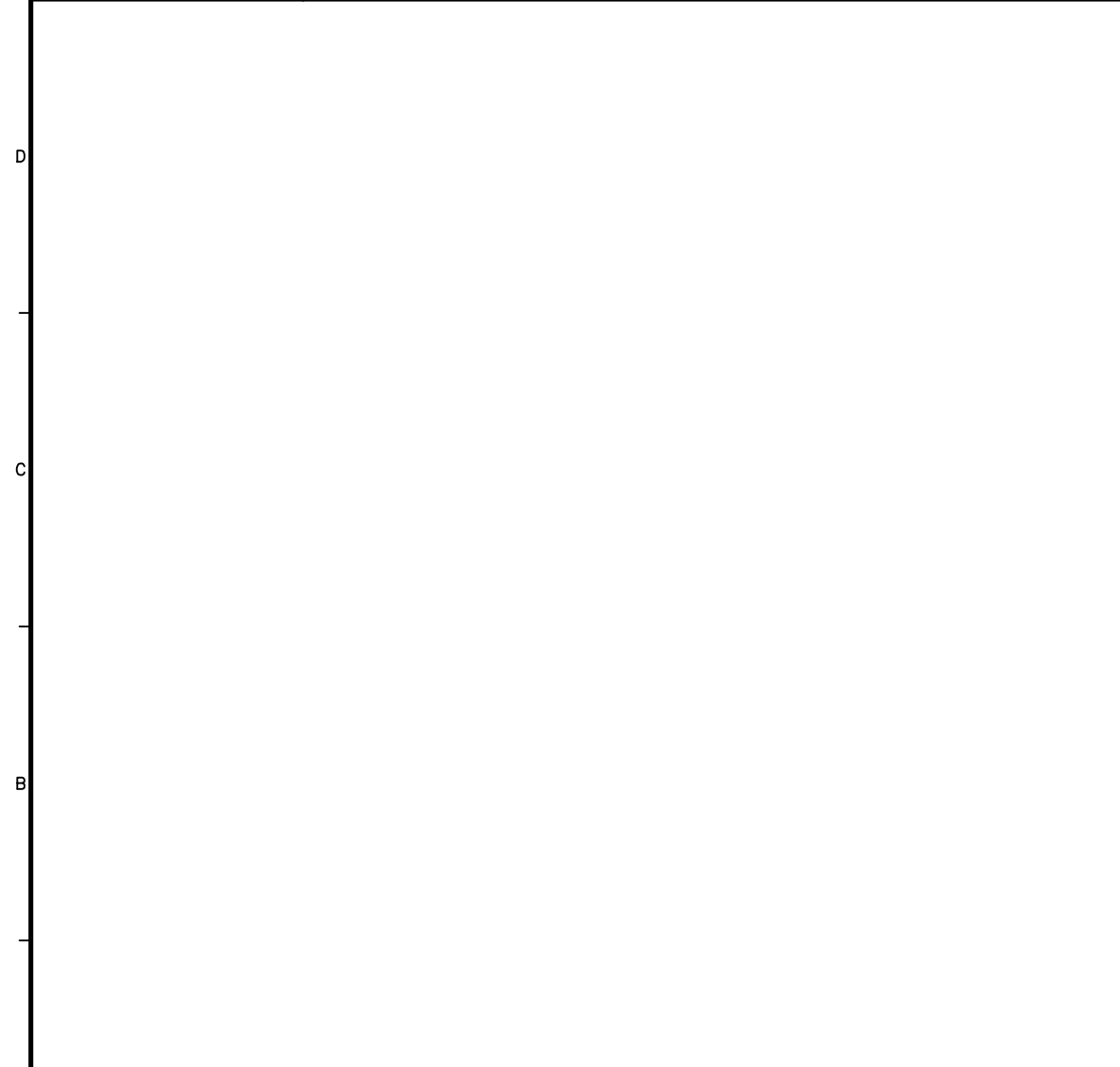
E7 SECTION @ STAIR

1 1/2" = 1'-0"



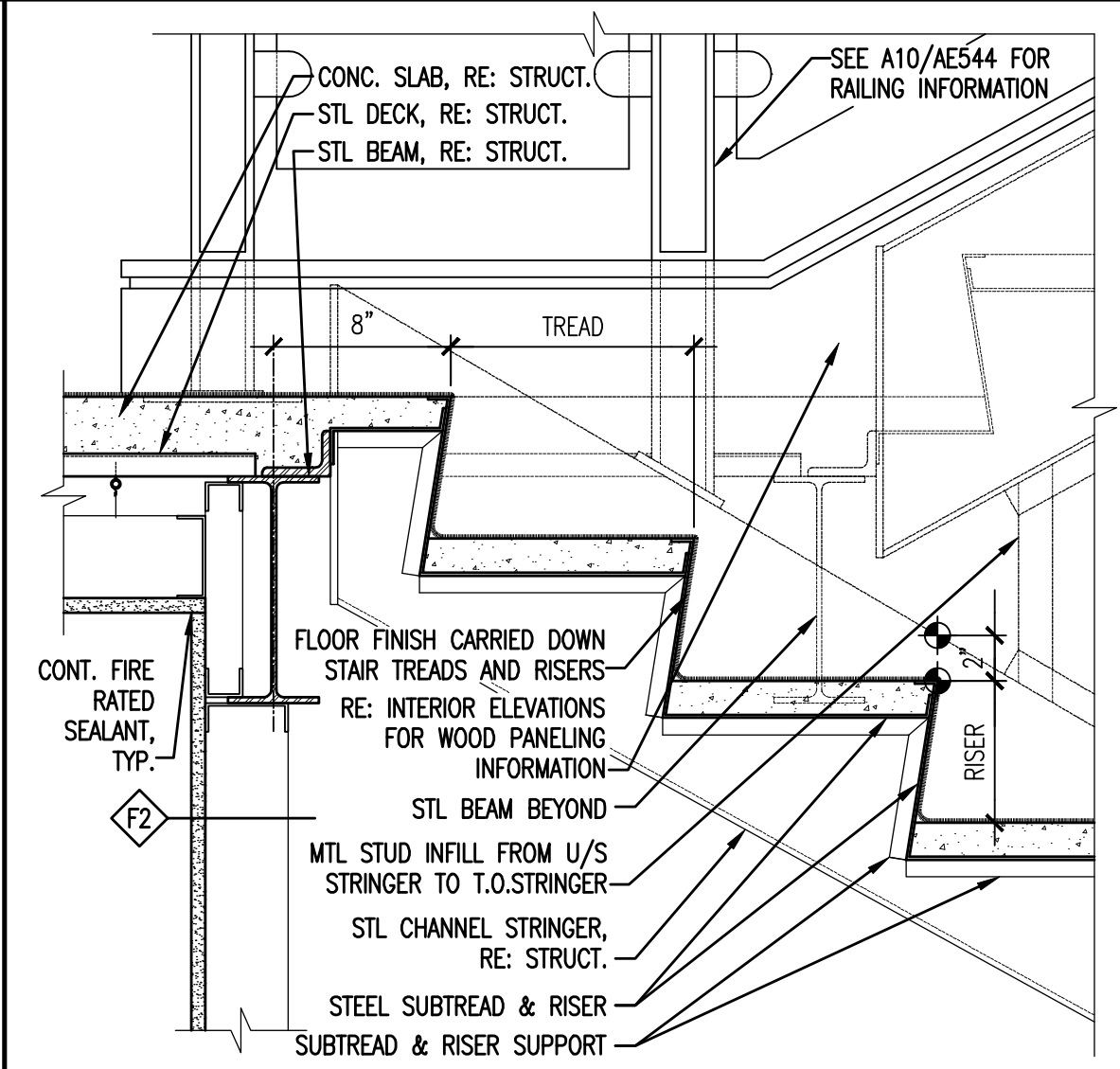
E10 SECTION @ STAIR

1 1/2" = 1'-0"



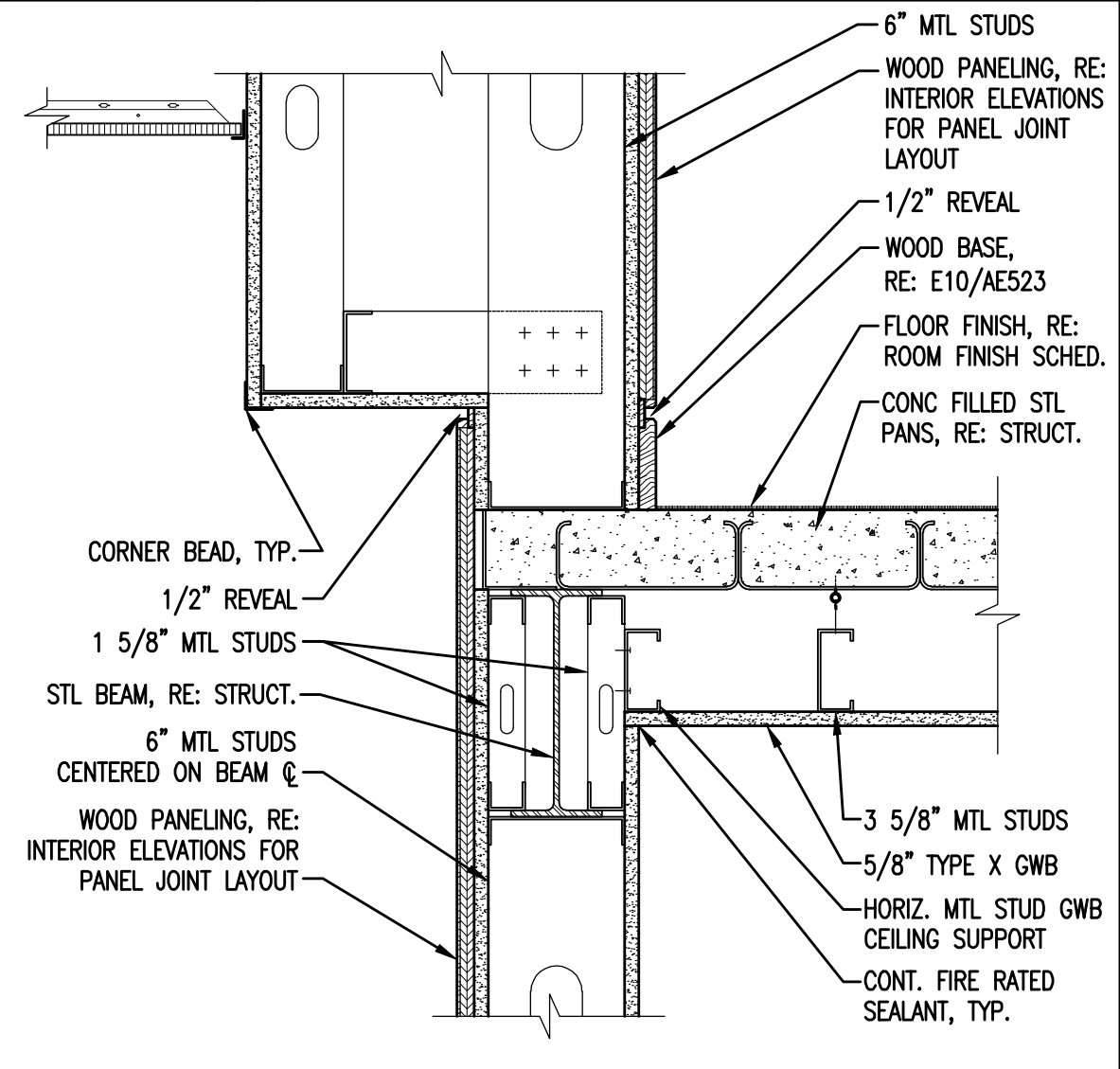
A1 SECTION @ STAIR

1 1/2" = 1'-0"



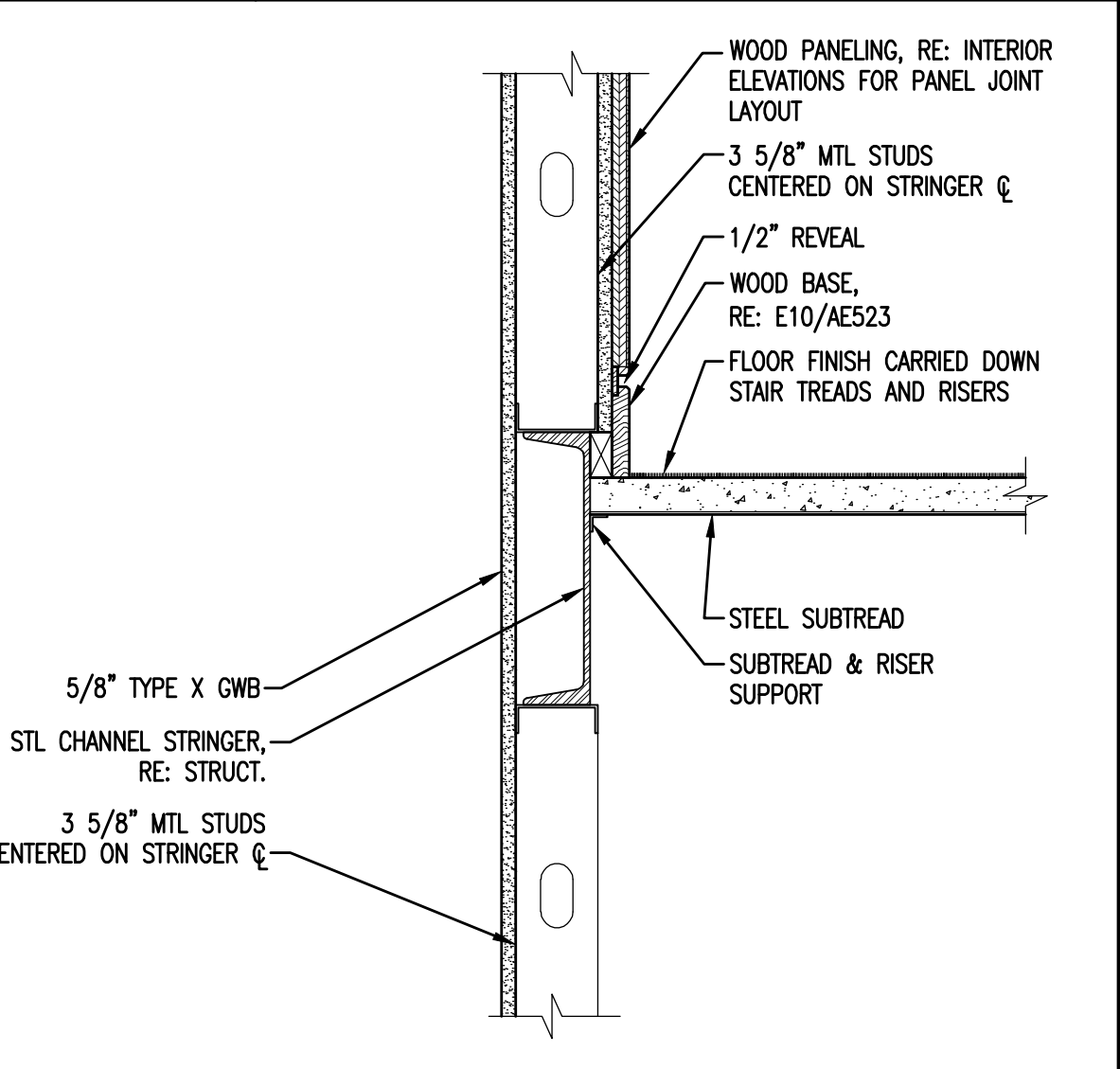
A4 SECTION DETAIL @ STAIR LANDING

1 1/2" = 1'-0"



A7 SECTION @ STAIR

1 1/2" = 1'-0"



A10 SECTION @ STAIR

1 1/2" = 1'-0"

GENERAL NOTES:

1. SEE G1001 FOR PROJECT GENERAL NOTES.

SM SRT

ARCHITECTURE ENGINEERING PLANNING

144 Fore Street/P.O. Box 618
Portland, Maine 04104
tel. (207) 772-3846
fax. (207) 772-1070

PROJECT TITLE: MAINE TURNPIKE AUTHORITY ADMINISTRATION BUILDING PORTLAND, MAINE

CURRENT ISSUE STATUS: ISSUED FOR BIDDING/CONSTRUCTION 7-9-07

REV	DESCRIPTION	DATE
0	BIDDING/CONSTRUCTION	7-9-07

GRAPHIC SCALE: 1" = 1'-0"

SCALE: AS NOTED

PROJECT MANAGER: SLB

JC/DRAWN BY: TCM/TCM

A/E OF RECORD: SLB

CAD FILE: AE543-06016

PROJECT NO: 06016

DATE: 7-9-07

SHEET TITLE: STAIR DETAILS