

**GENERAL NOTES:**  
1. SEE G1001 FOR PROJECT GENERAL NOTES.

**SMA RT**  
ARCHITECTURE ENGINEERING PLANNING  
SWRT  
144 Fore Street/P.O. Box 618  
Portland, Maine 04104  
tel. (207) 772-3846  
fax. (207) 772-1070

**J1 STAIR SHAFT DETAIL**

**J4 STAIR SHAFT DETAIL**

**J7 STAIR DETAIL**

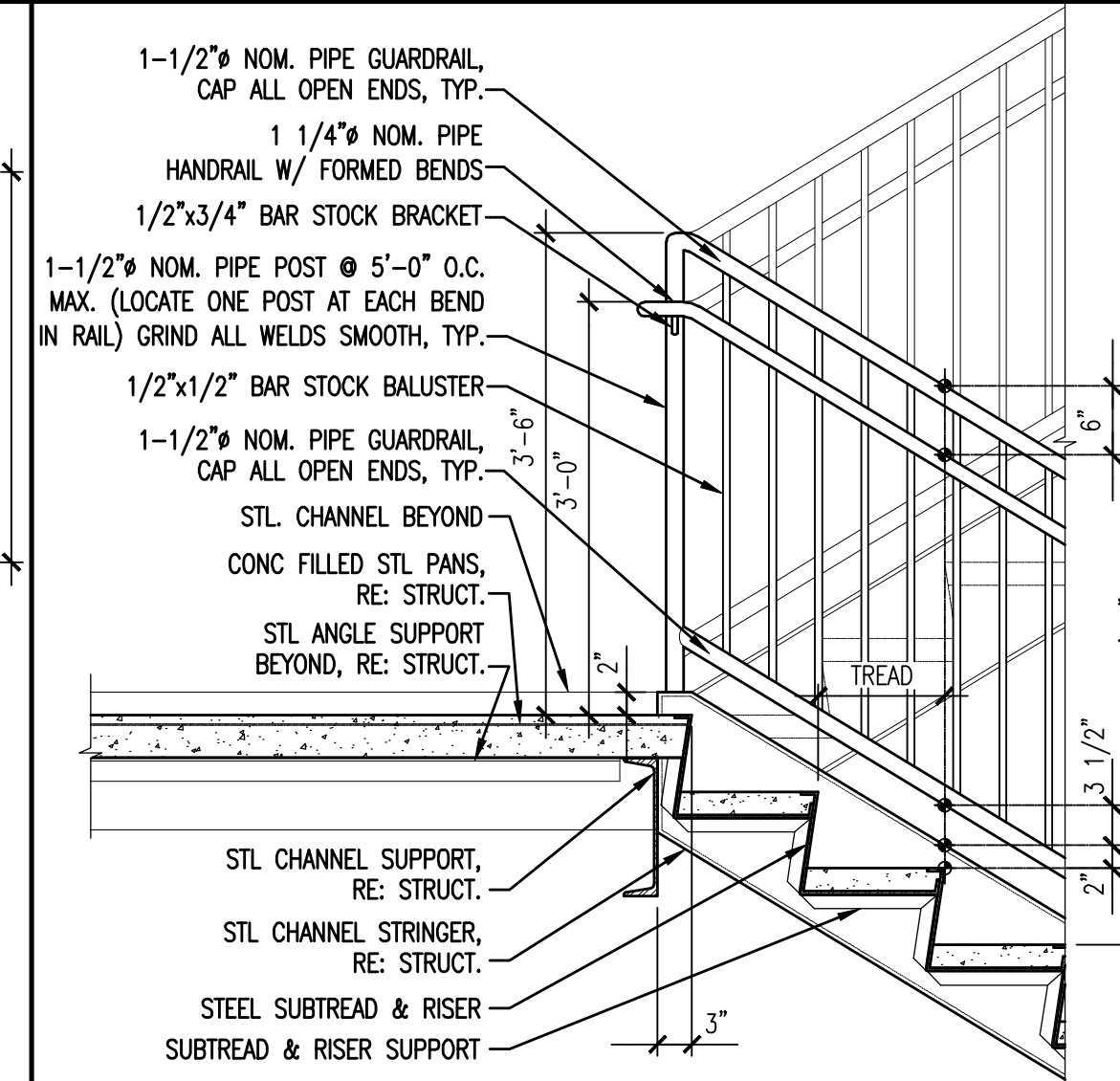
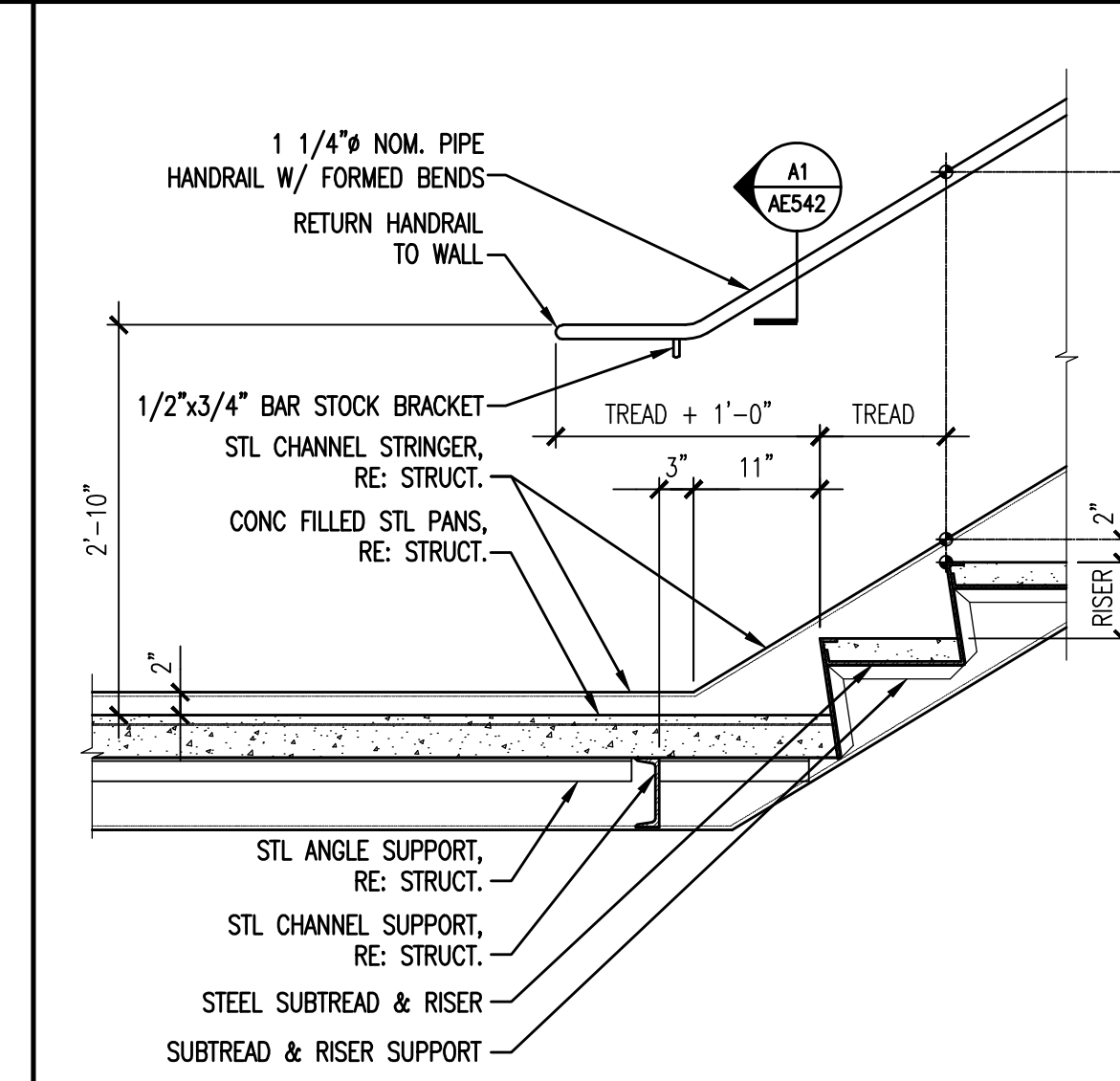
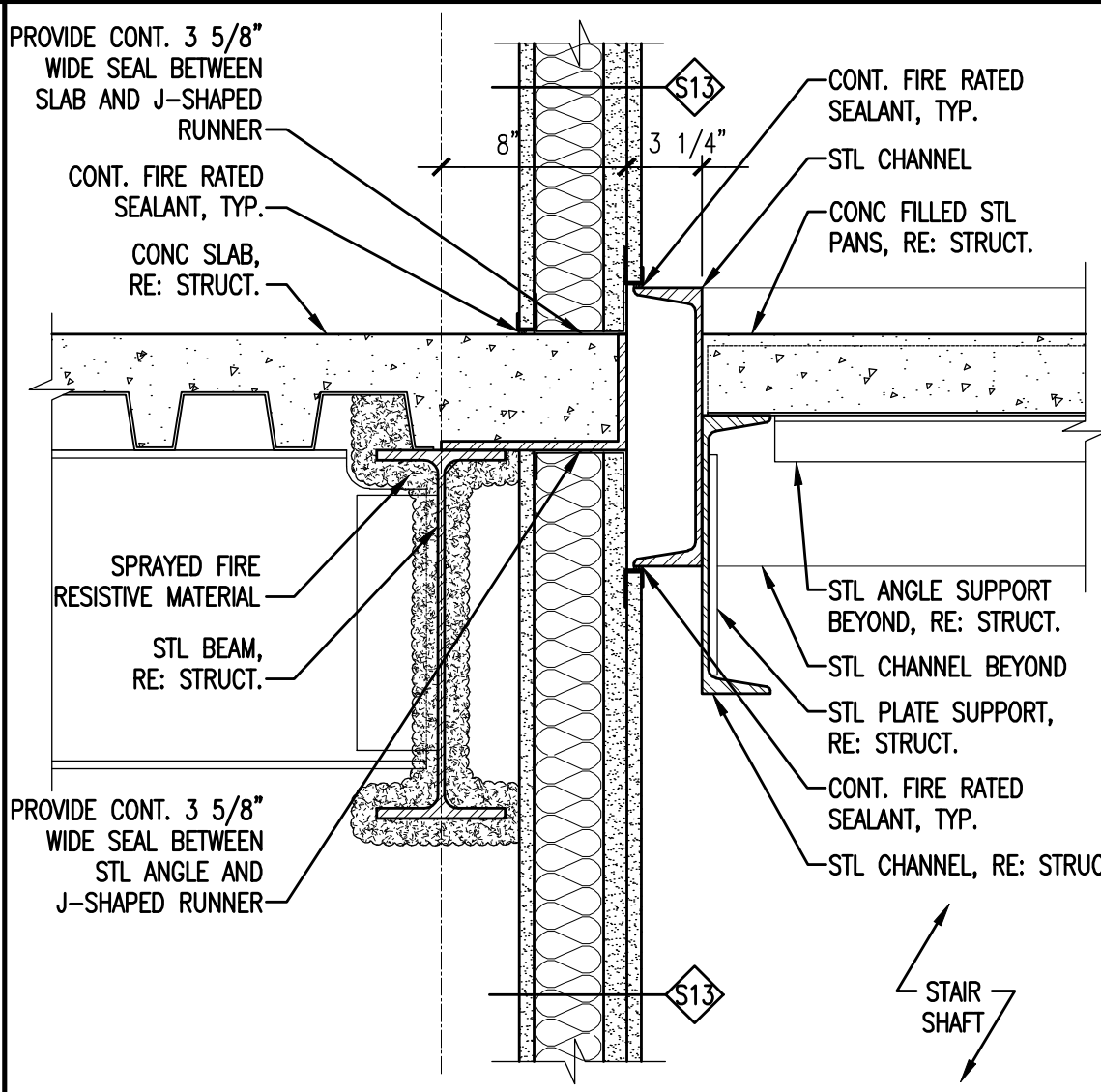
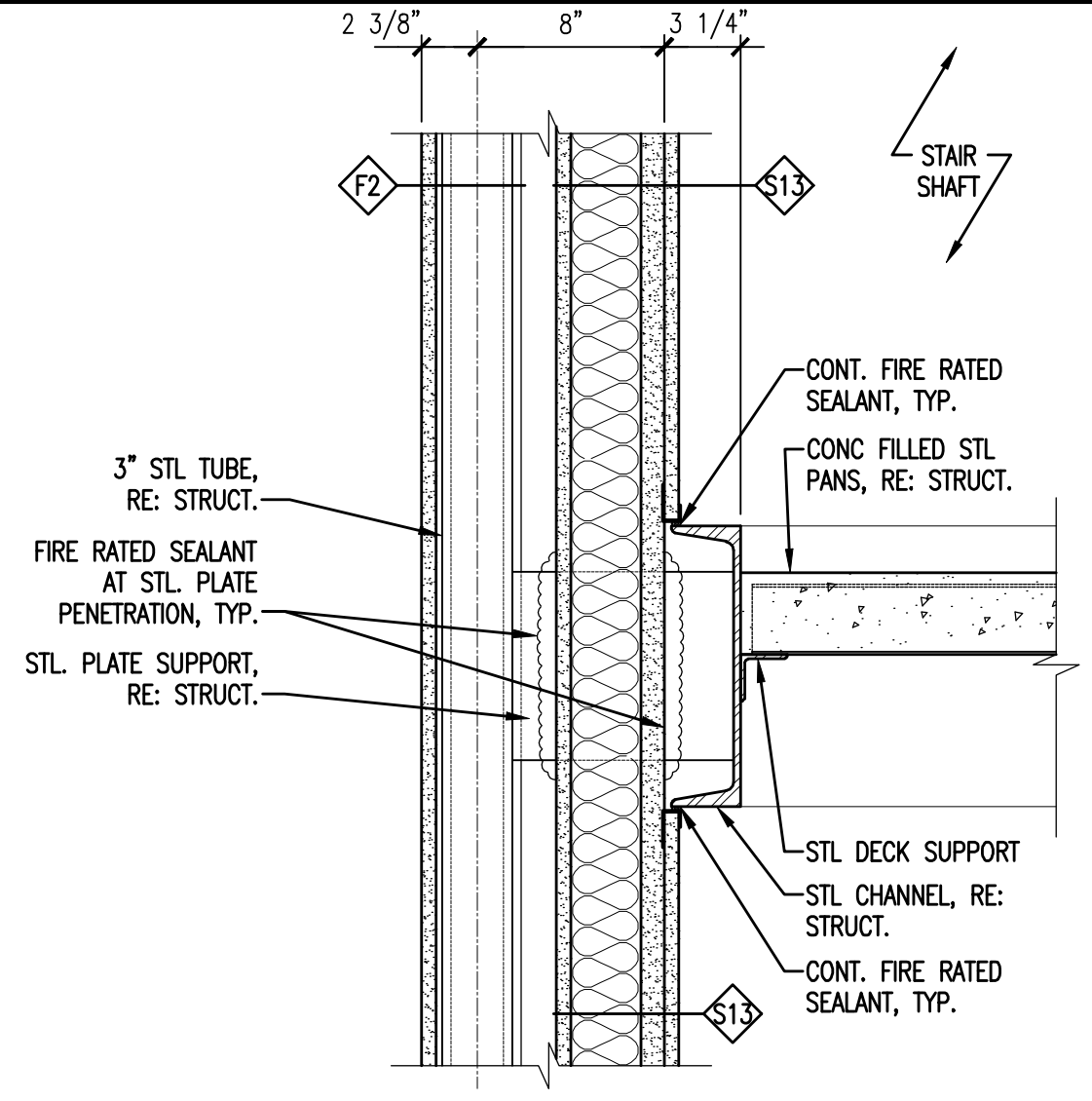
**J10 STAIR DETAIL**

1 1/2" = 1'-0"

1 1/2" = 1'-0"

3/4" = 1'-0"

3/4" = 1'-0"



**E1 STAIR SHAFT DETAIL**

**E4 STAIR SHAFT DETAIL**

**E7 STAIR DETAIL**

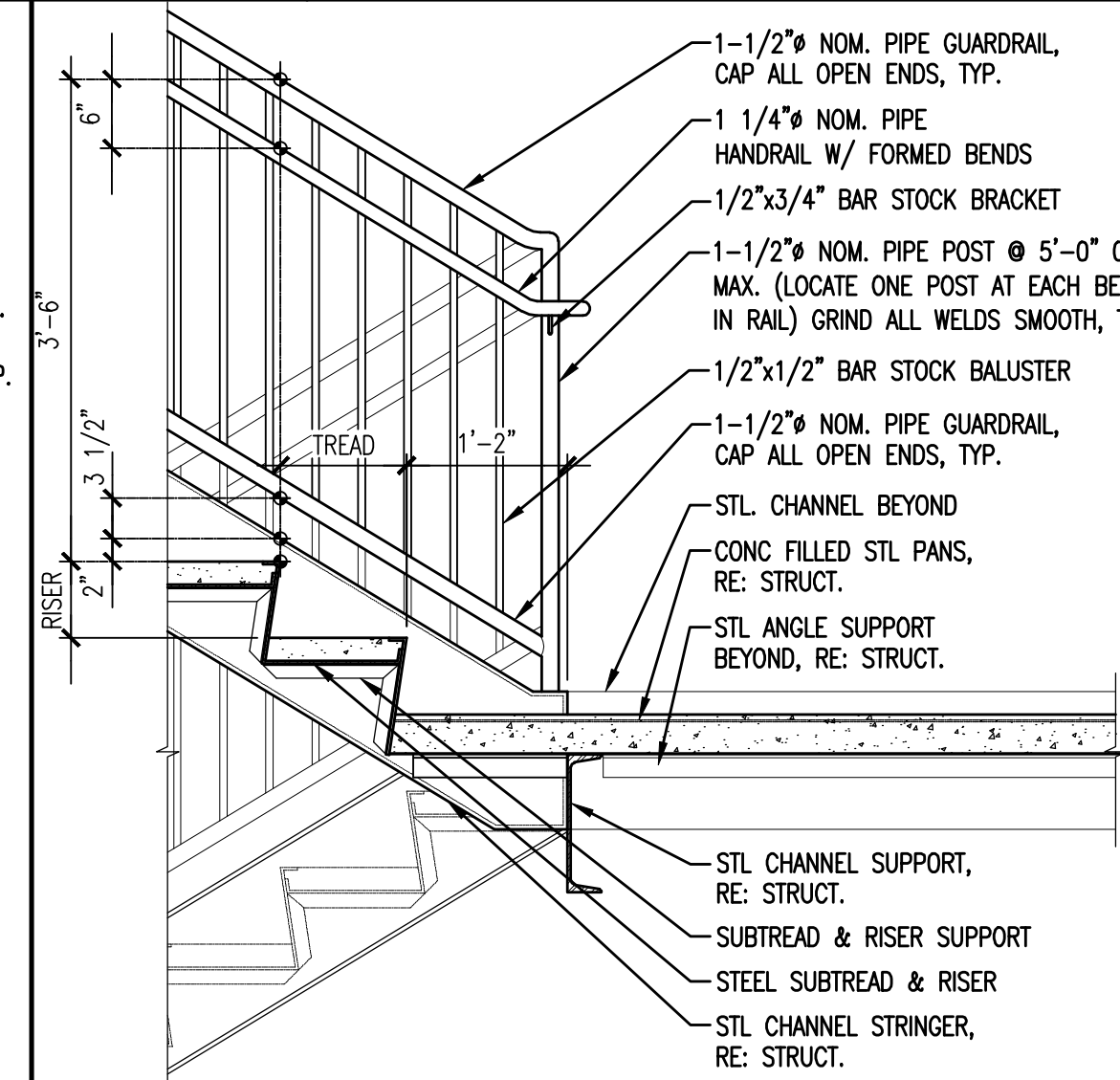
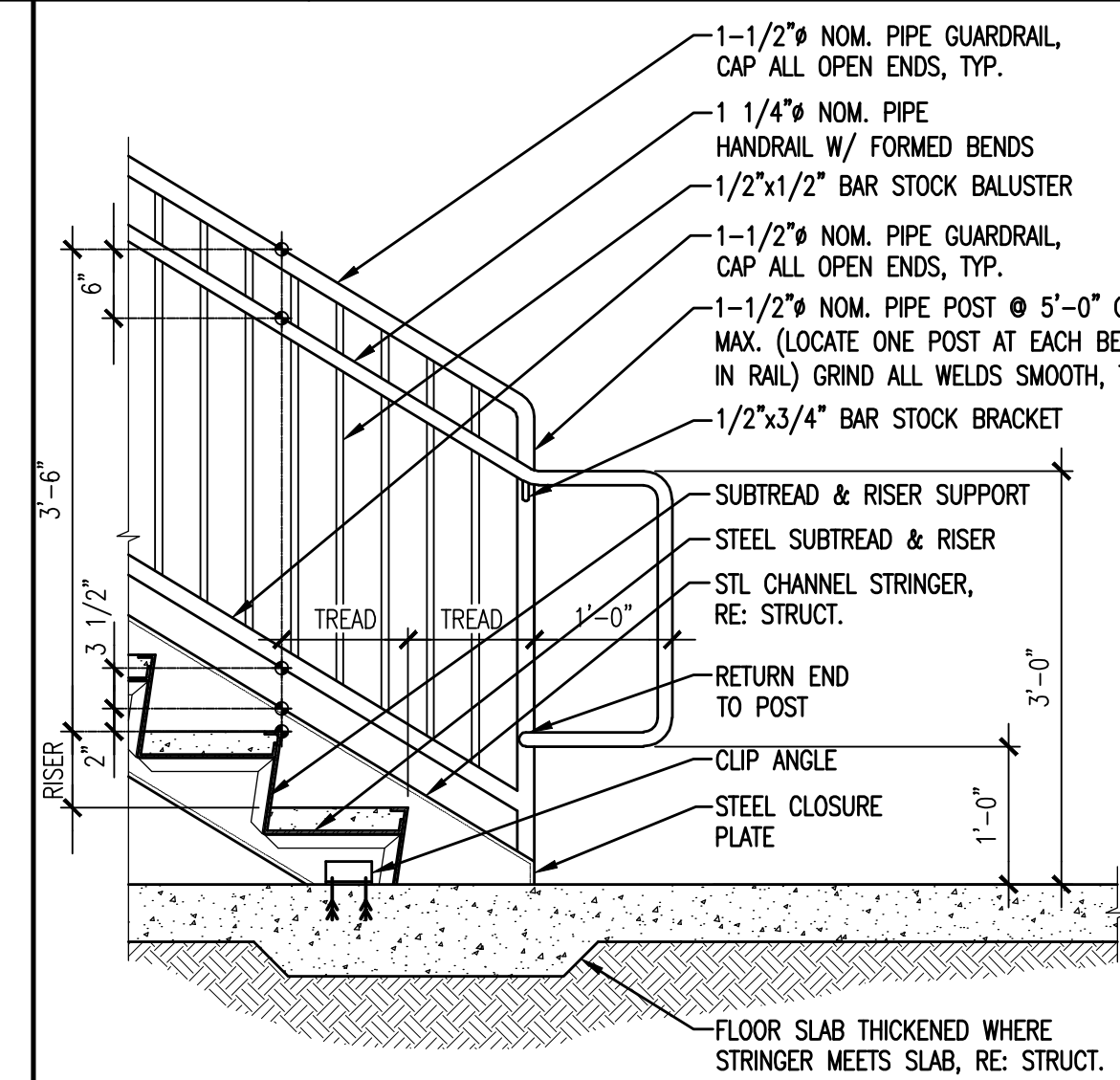
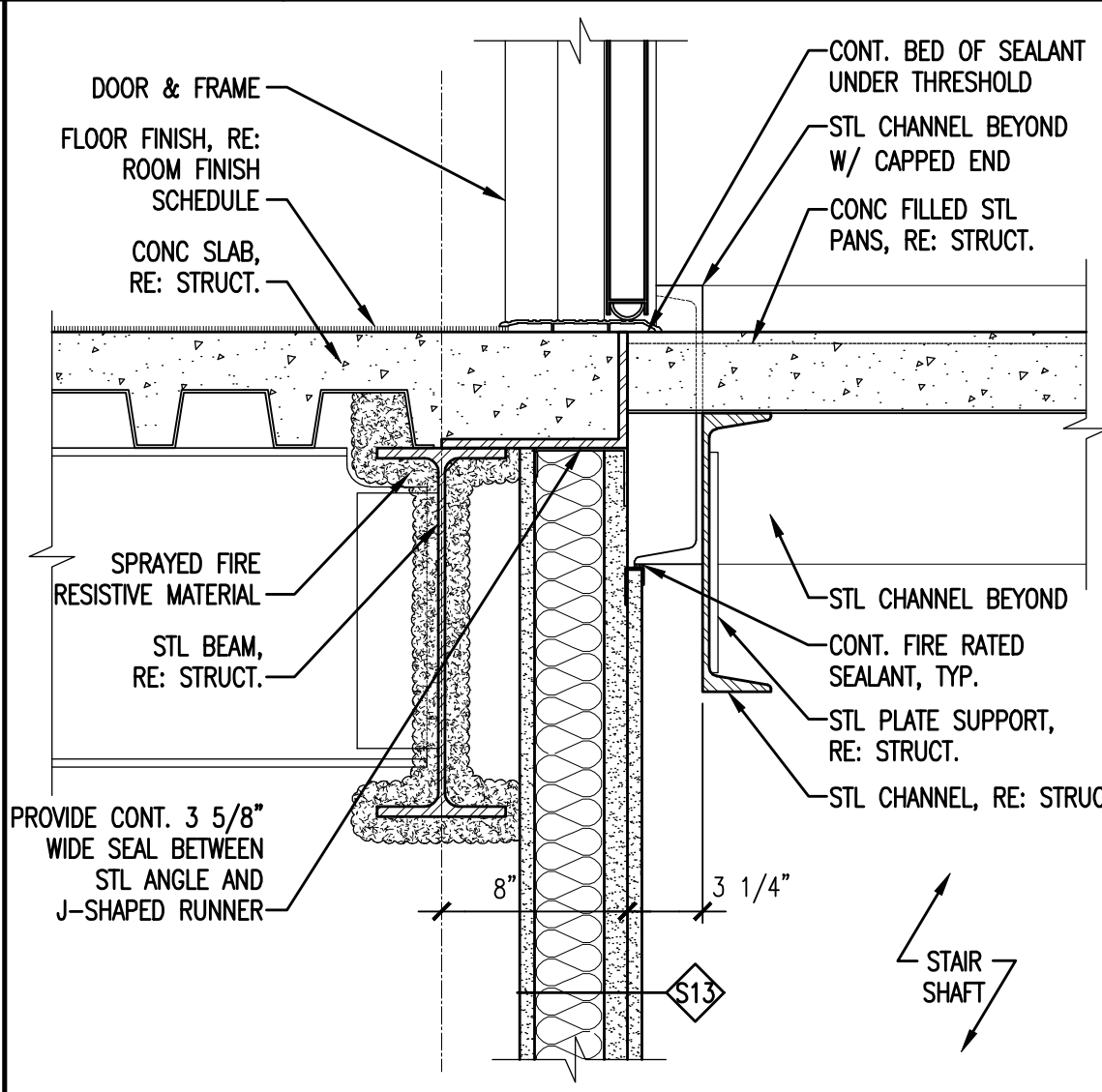
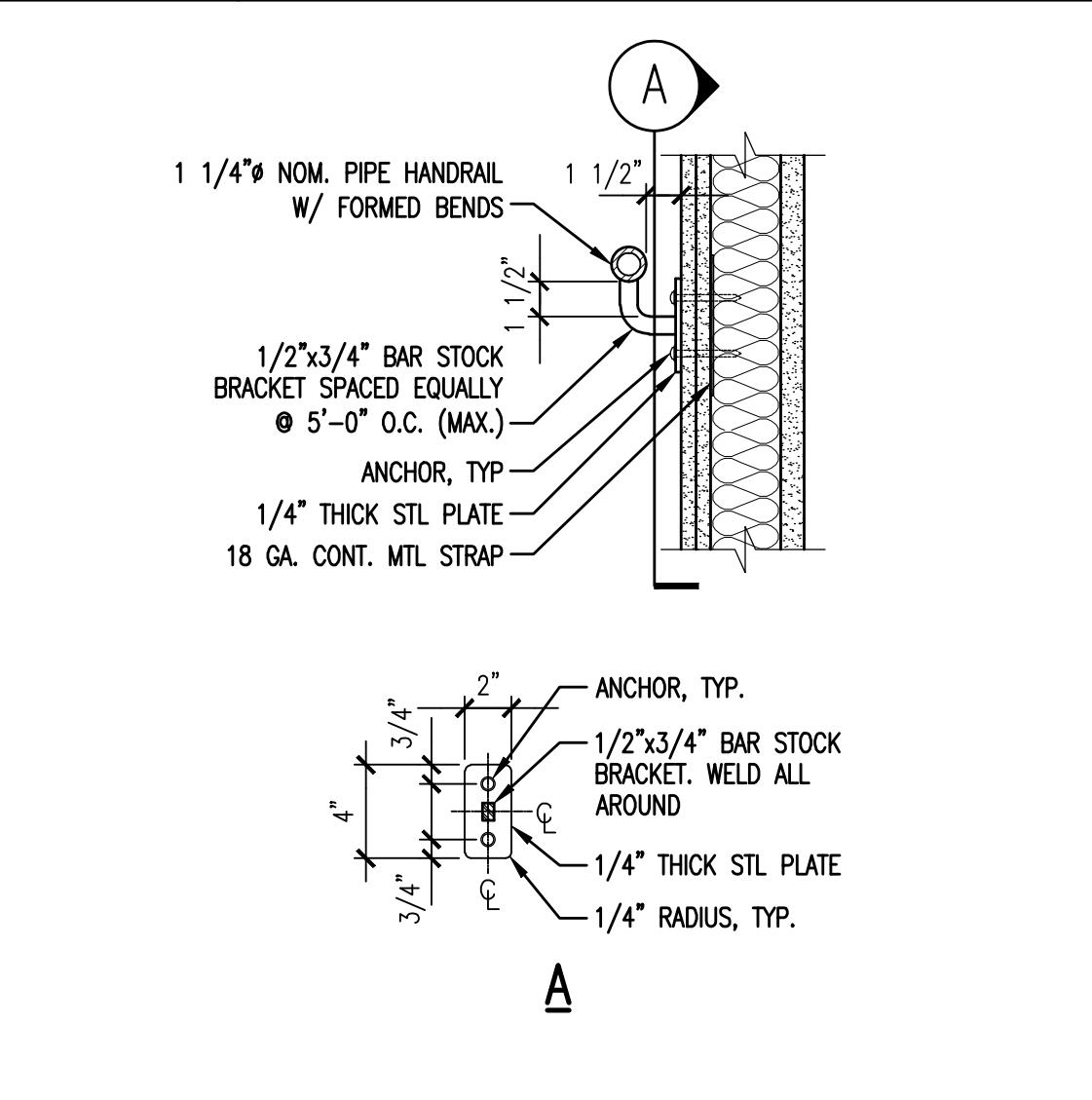
**E10 STAIR DETAIL**

1 1/2" = 1'-0"

1 1/2" = 1'-0"

3/4" = 1'-0"

3/4" = 1'-0"



**A1 HANDRAIL DETAIL**

**A4 STAIR SHAFT DETAIL**

**A7 STAIR DETAIL**

**A10 STAIR DETAIL**

1 1/2" = 1'-0"

1 1/2" = 1'-0"

3/4" = 1'-0"

3/4" = 1'-0"

PROJECT TITLE:  
**MAINE TURNPIKE AUTHORITY  
ADMINISTRATION BUILDING**  
PORTLAND, MAINE  
CURRENT ISSUE STATUS:  
**ISSUED FOR BIDDING/CONSTRUCTION  
7-9-07**

0	BIDDING/CONSTRUCTION	7-9-07	DATE
0	DESCRIPTION	7-9-07	DATE
0	REV	7-9-07	DATE

GRAPHIC SCALE:  
0" 1"  
SCALE: AS NOTED  
PROJECT MANAGER: SLB  
JC/DRAWN BY: TCM/TCM  
A/E OF RECORD: SLB  
CAD FILE: AE542-06016  
PROJECT NO: 06016  
DATE: 7-9-07  
SHEET TITLE:  
**STAIR DETAILS**  
SHEET No. **AE542**  
© copyright 2007 SMA RT INC.