

REV	DESCRIPTION	DATE
0	BIDDING/CONSTRUCTION	7-9-07

GRAPHIC SCALE:

SCALE: AS NOTED

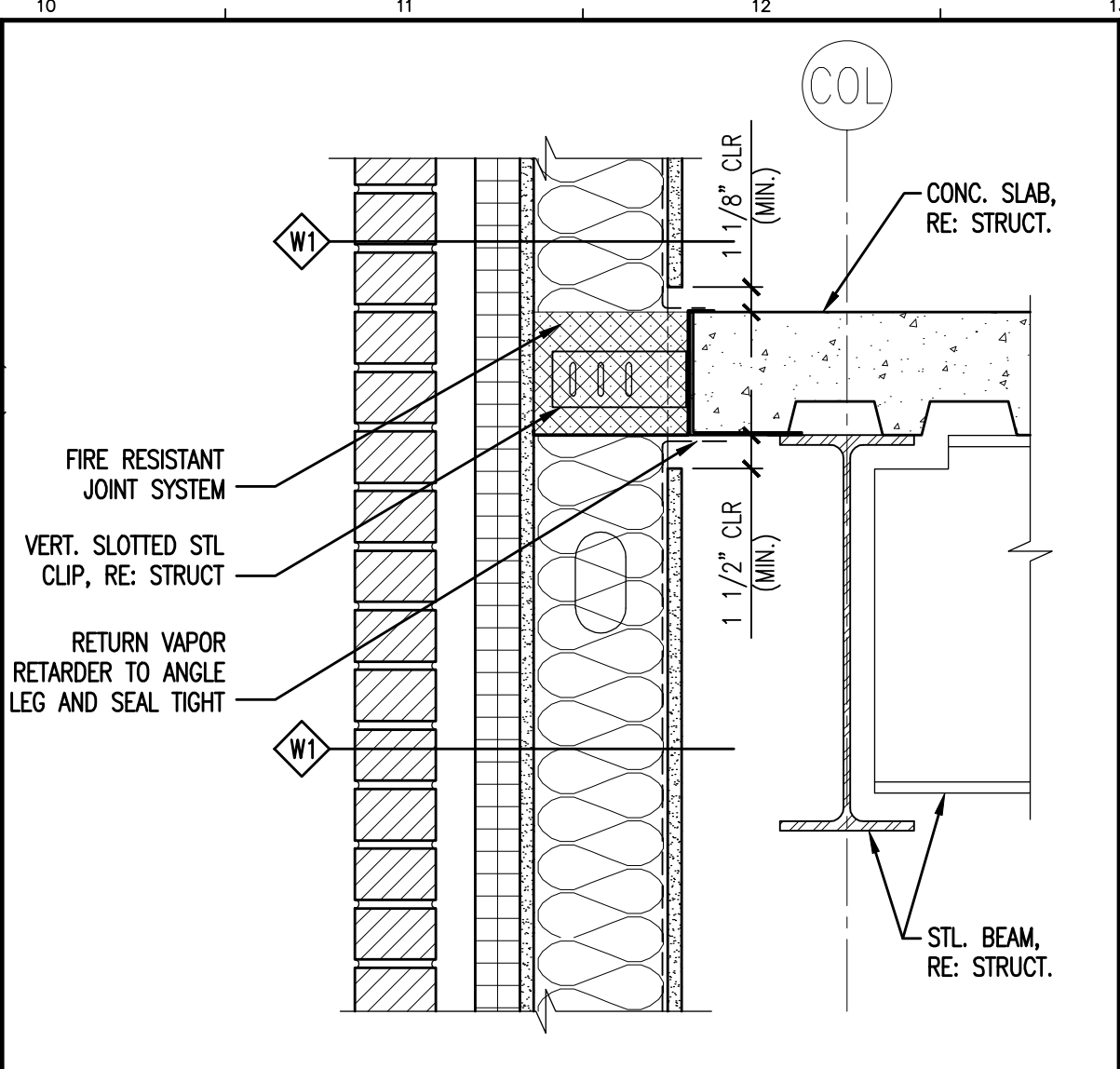
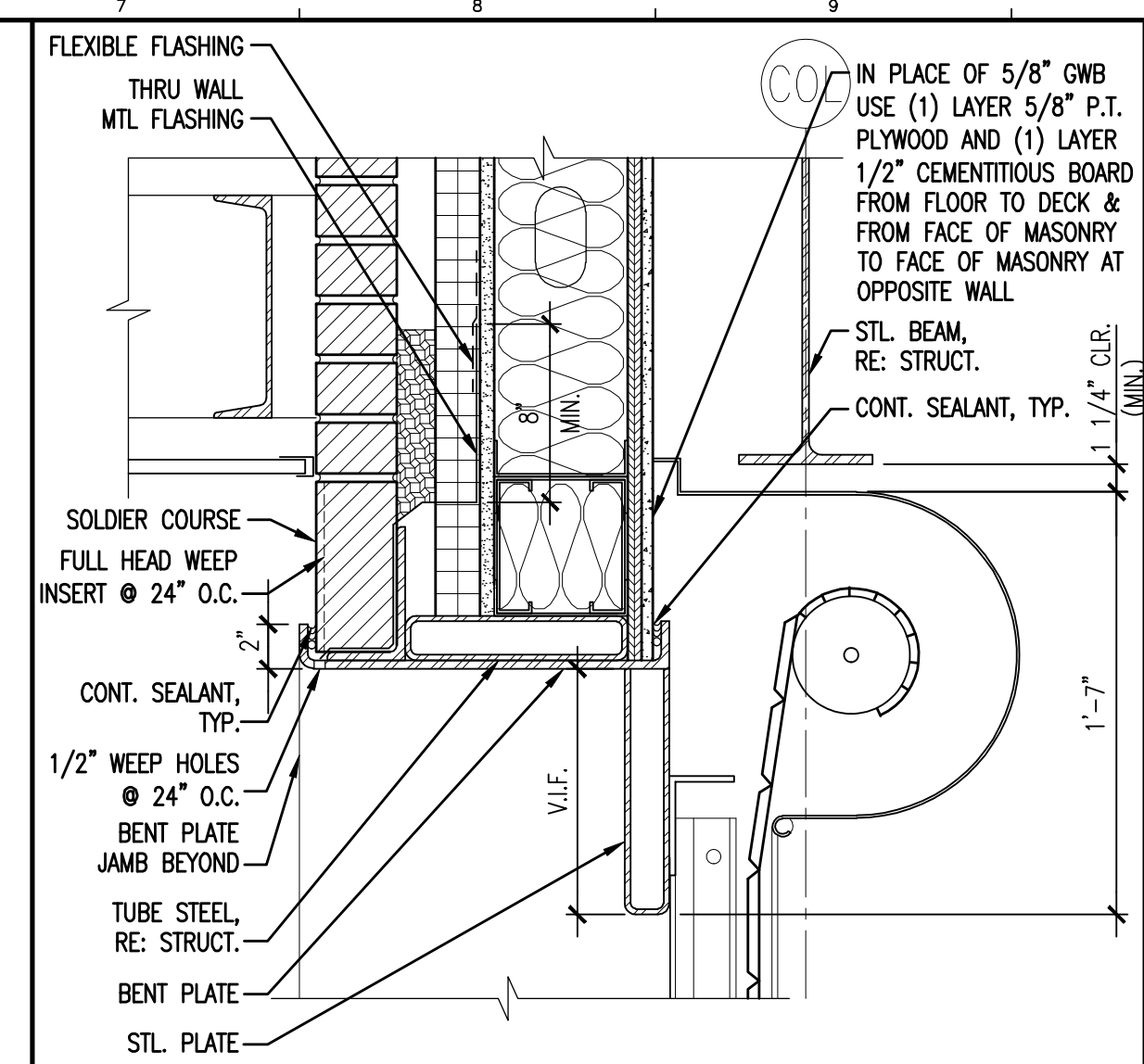
PROJECT MANAGER: SLB  
 JC/DRAWN BY: TCM/TCM  
 A/E OF RECORD: SLB  
 CAD FILE: AE532-06016  
 PROJECT NO: 06016  
 DATE: 7-9-07

SHEET TITLE:  
**BUILDING AND WALL  
 DETAILS**

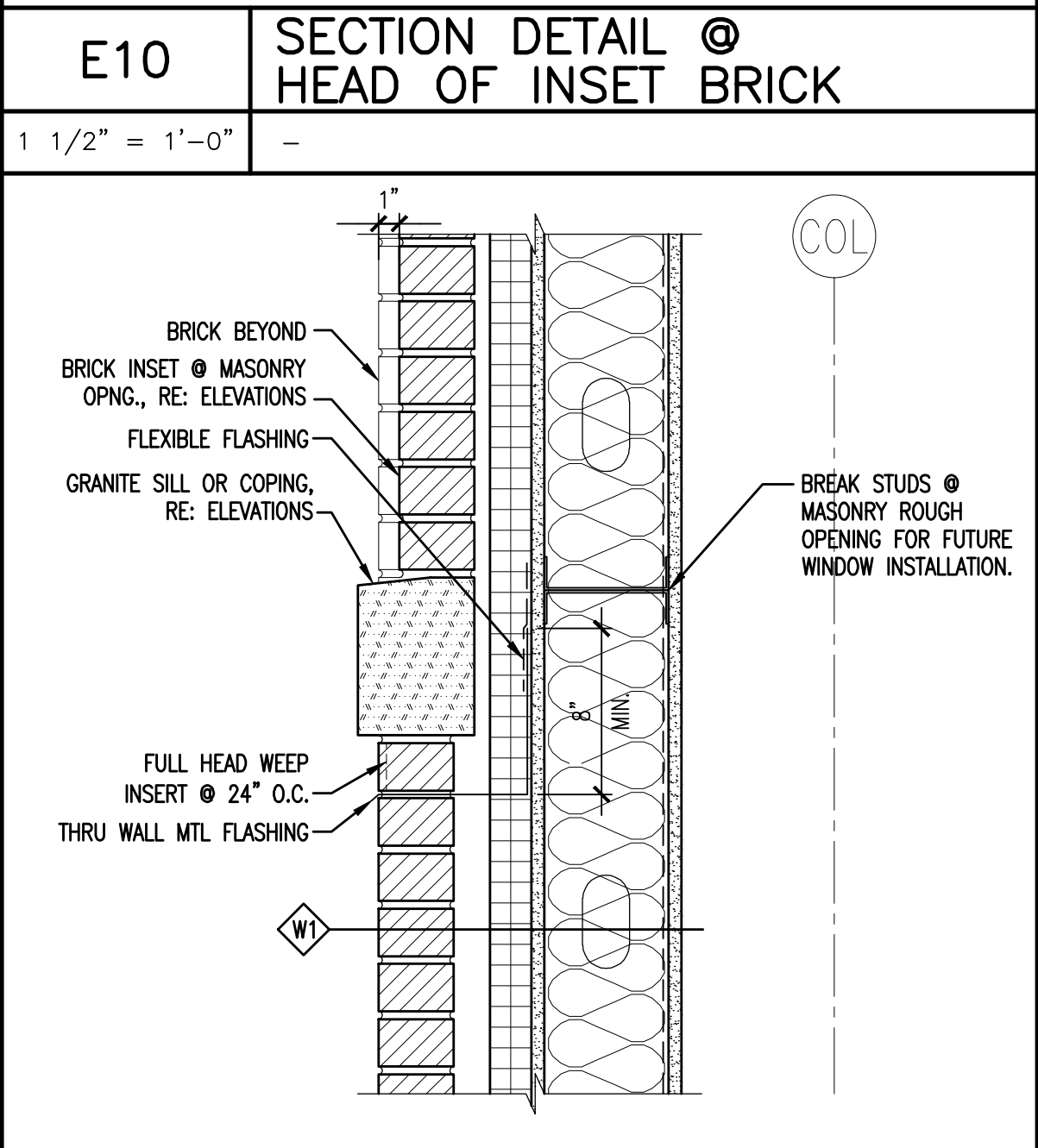
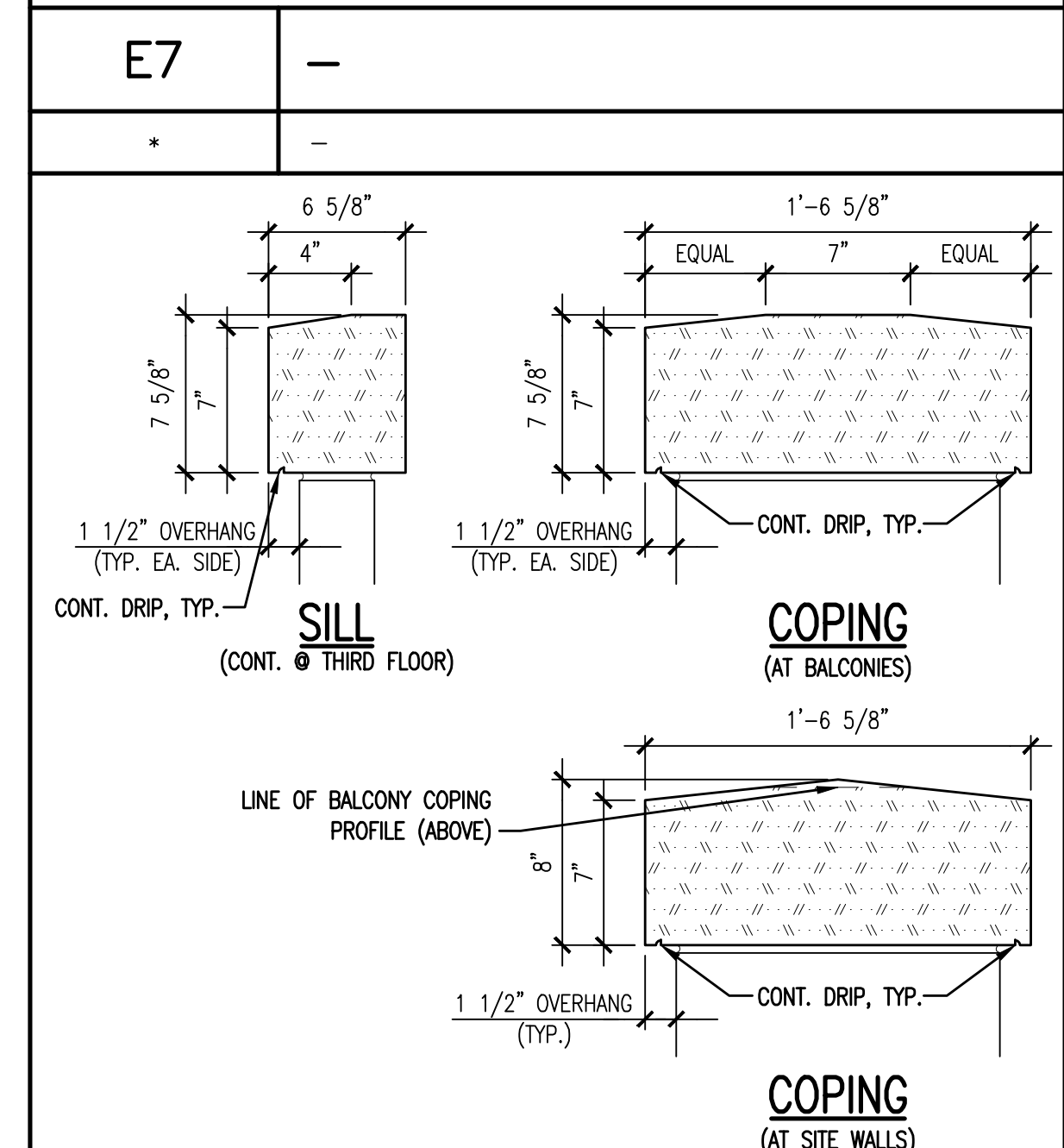
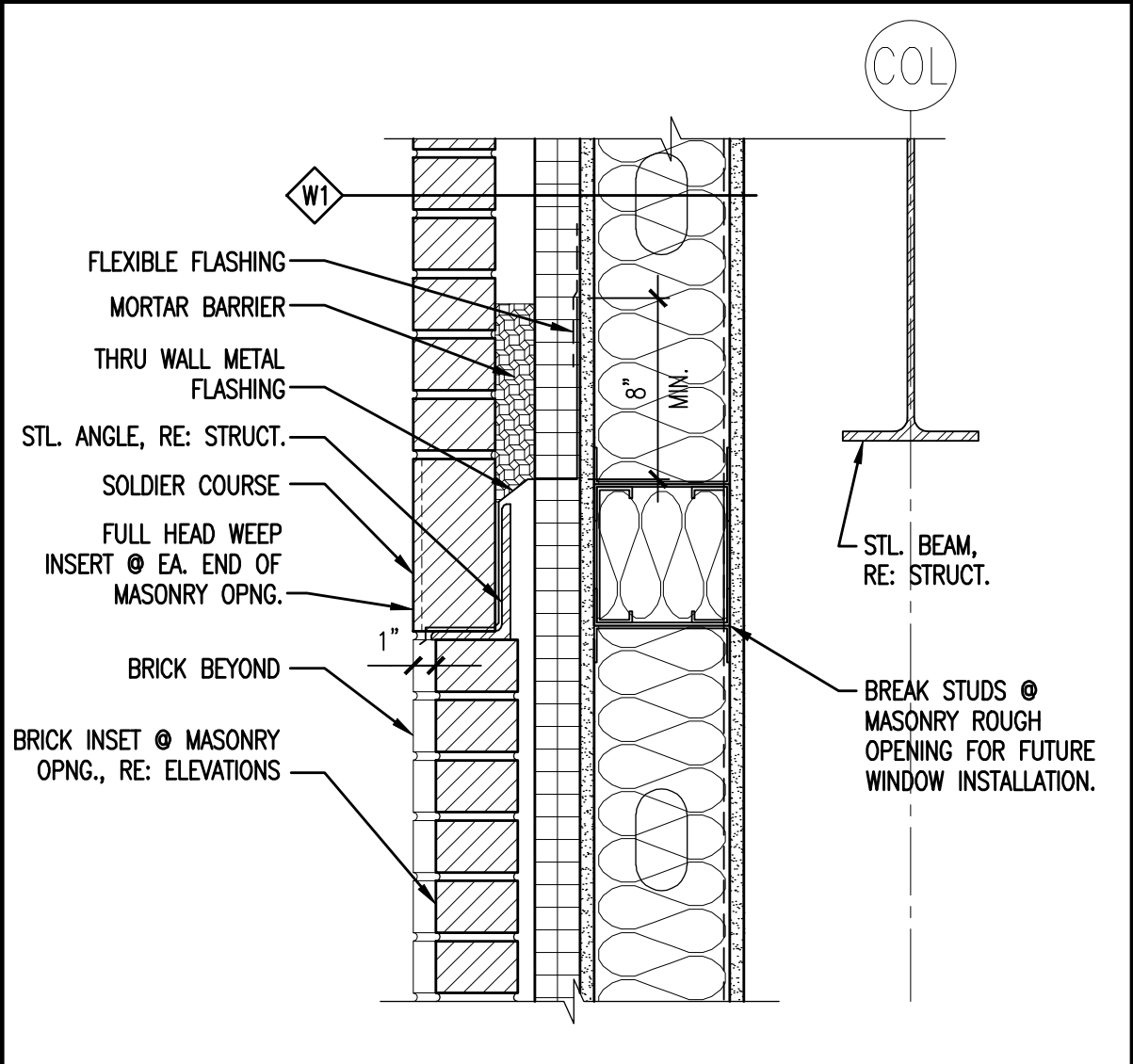
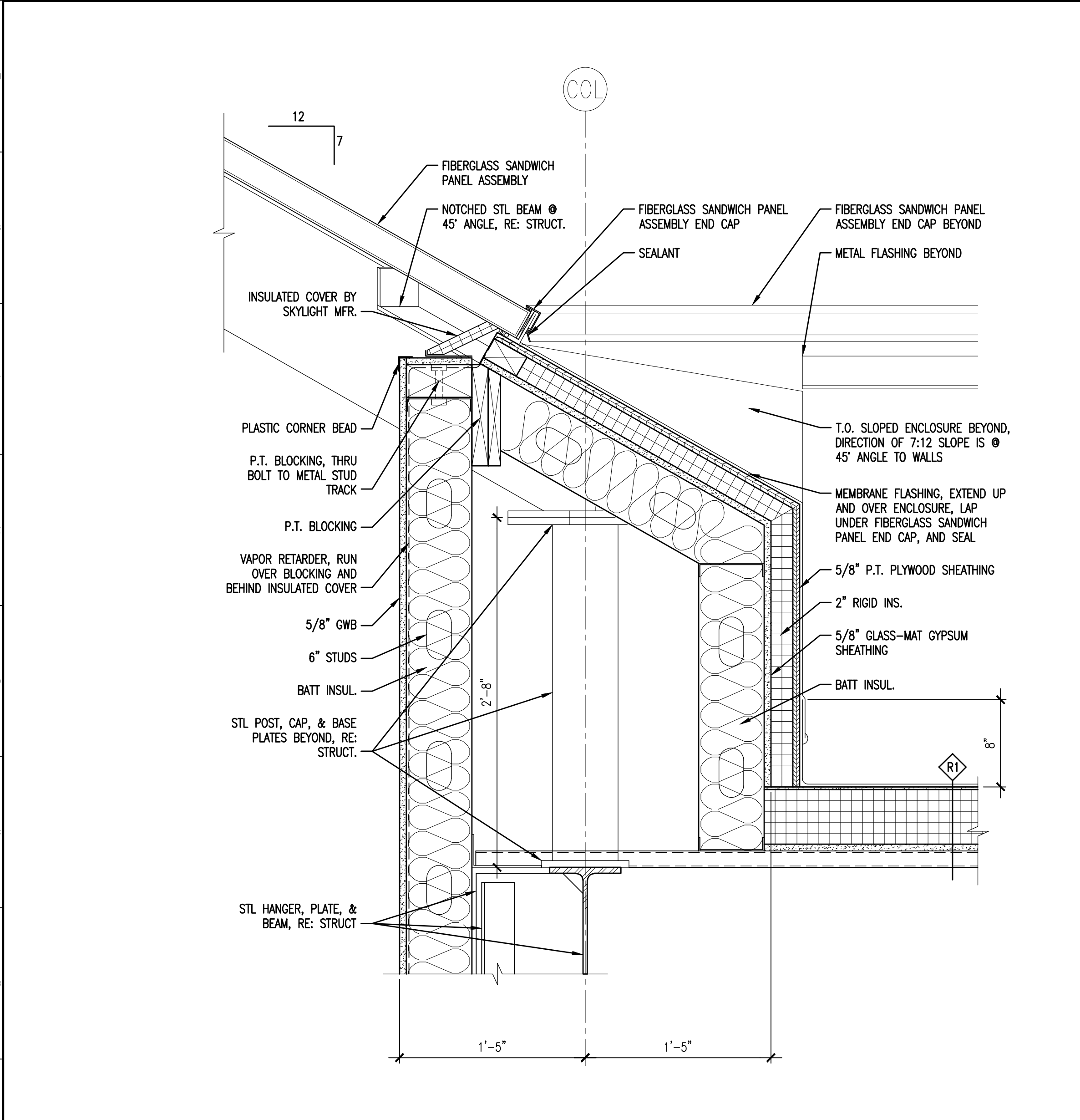
SHEET No.  
**AE532**

### GENERAL NOTES:

- SEE G1001 FOR PROJECT GENERAL NOTES.



J1	—	J4	—	J7	DETAIL @ OVERHEAD DOOR	J10	SECTION DETAIL @ EDGE OF FLOOR SLAB
*	—	*	—	1 1/2" = 1'-0"	—	1 1/2" = 1'-0"	—



A1	SKYLIGHT VALLEY RAFTER & POST - ROOF ENCLOSURE	A7	EXTERIOR GRANITE PROFILES	A10	SECTION DETAIL @ SILL OF INSET BRICK
1 1/2" = 1'-0"	—	1 1/2" = 1'-0"	—	1 1/2" = 1'-0"	—

A7	EXTERIOR GRANITE PROFILES	A10	SECTION DETAIL @ SILL OF INSET BRICK
1 1/2" = 1'-0"	—	1 1/2" = 1'-0"	—

A10	SECTION DETAIL @ SILL OF INSET BRICK
1 1/2" = 1'-0"	—