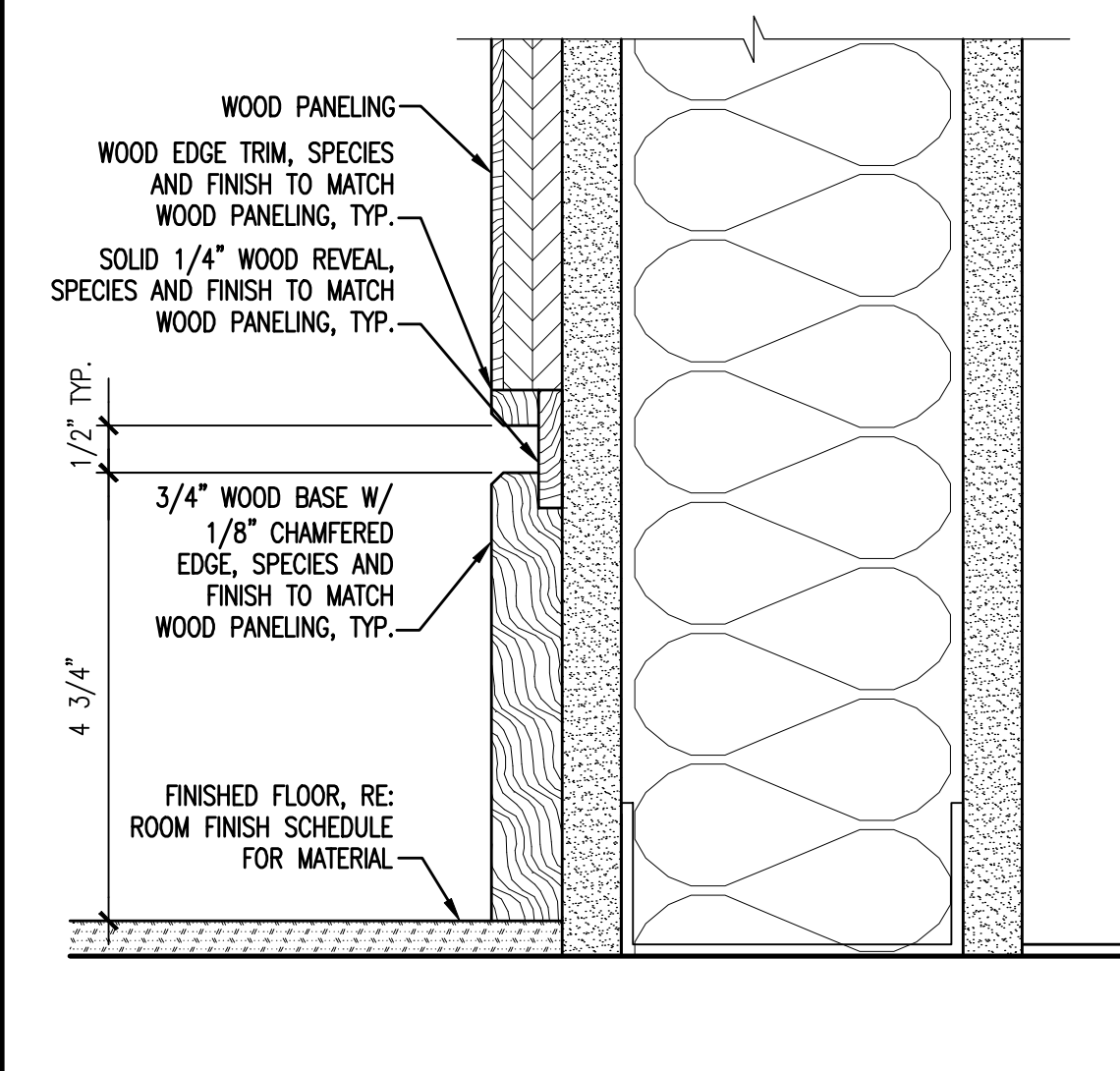
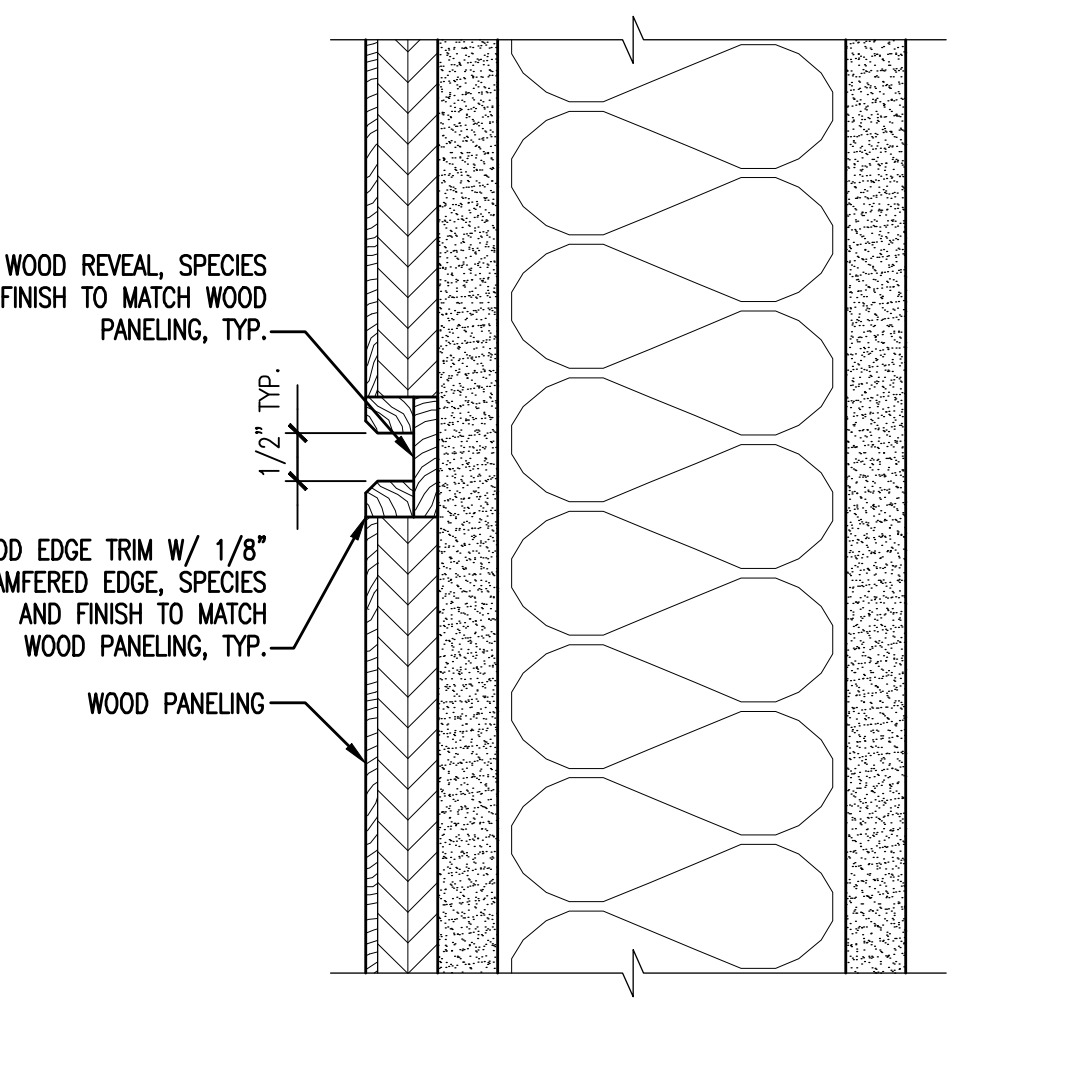
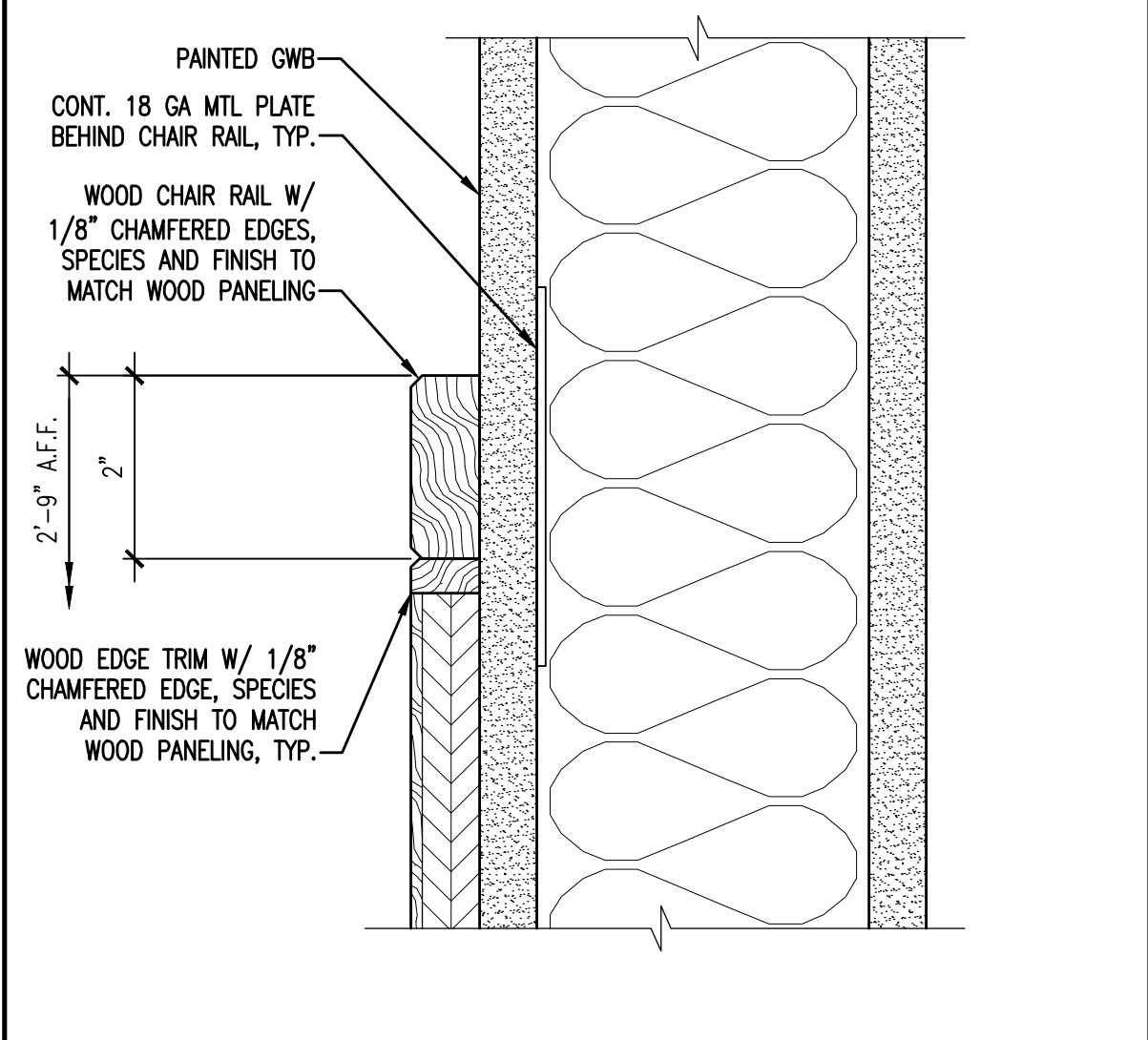
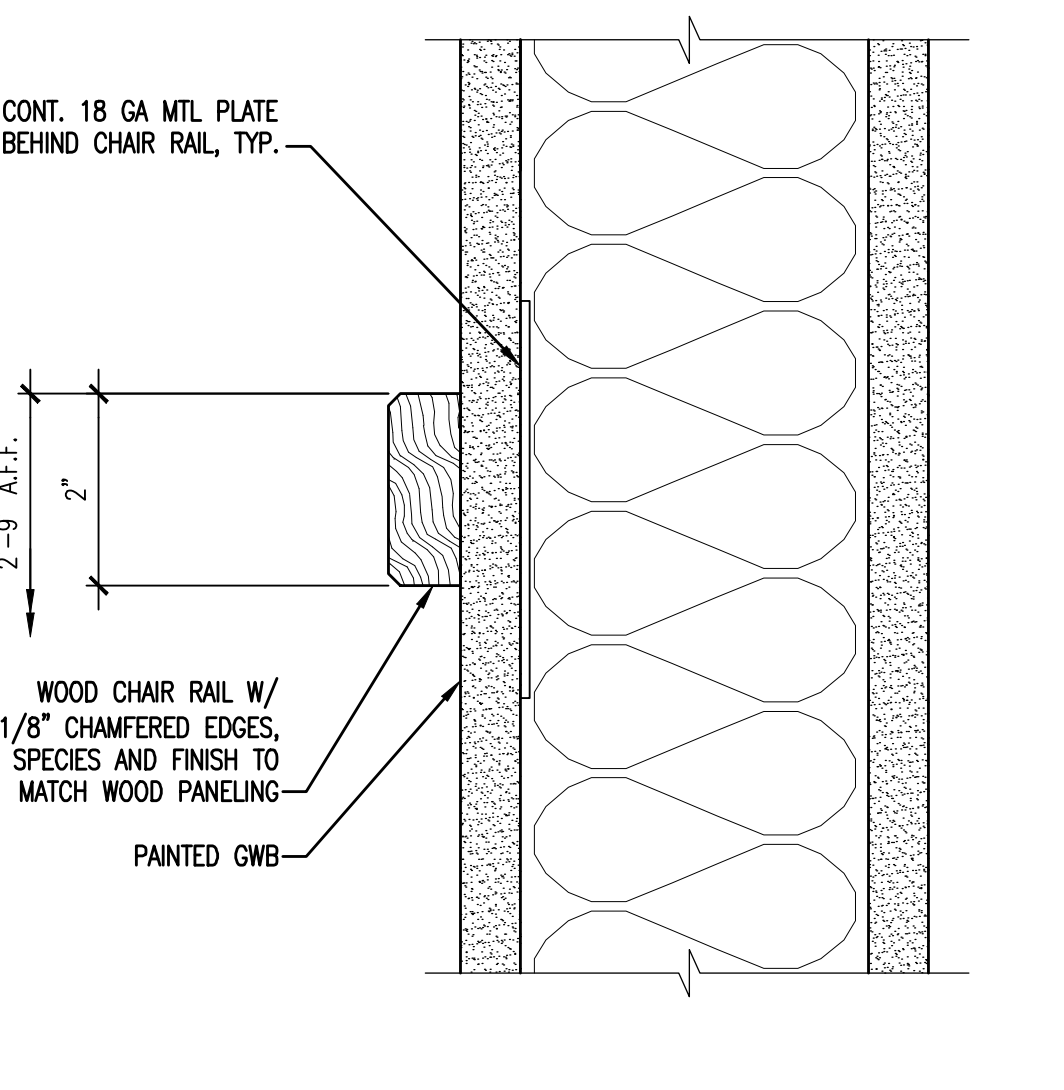


J1 TYP. INSIDE CORNER @ WOOD PANELING
6" = 1'-0"

J4 TYP. OUTSIDE CORNER @ WOOD PANELING
6" = 1'-0"

J7 INSIDE CORNER @ WOOD PANELING
6" = 1'-0"

J10 TYP. WOOD PANELING REVEAL @ CEILING/SOFFIT
6" = 1'-0"

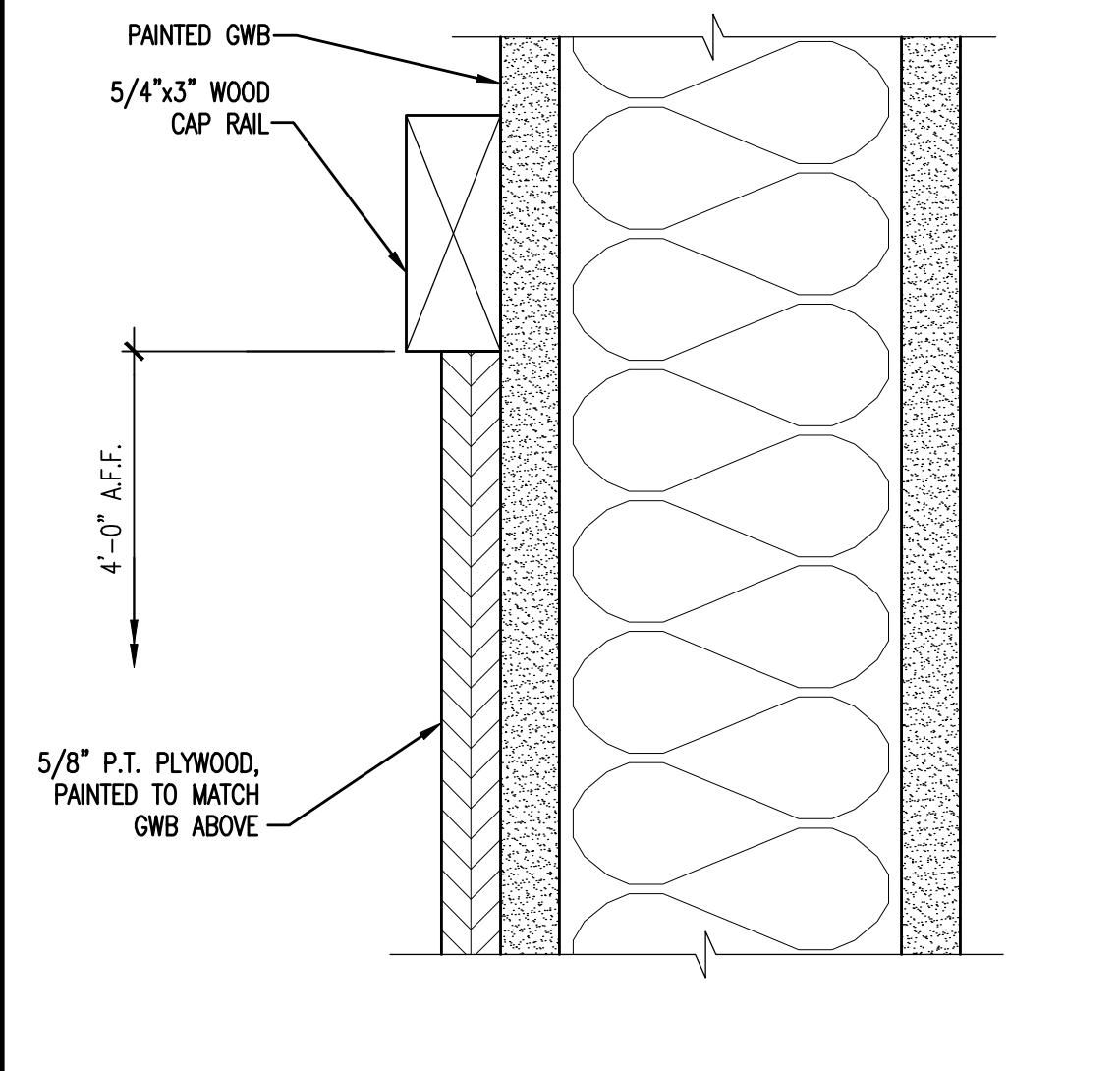
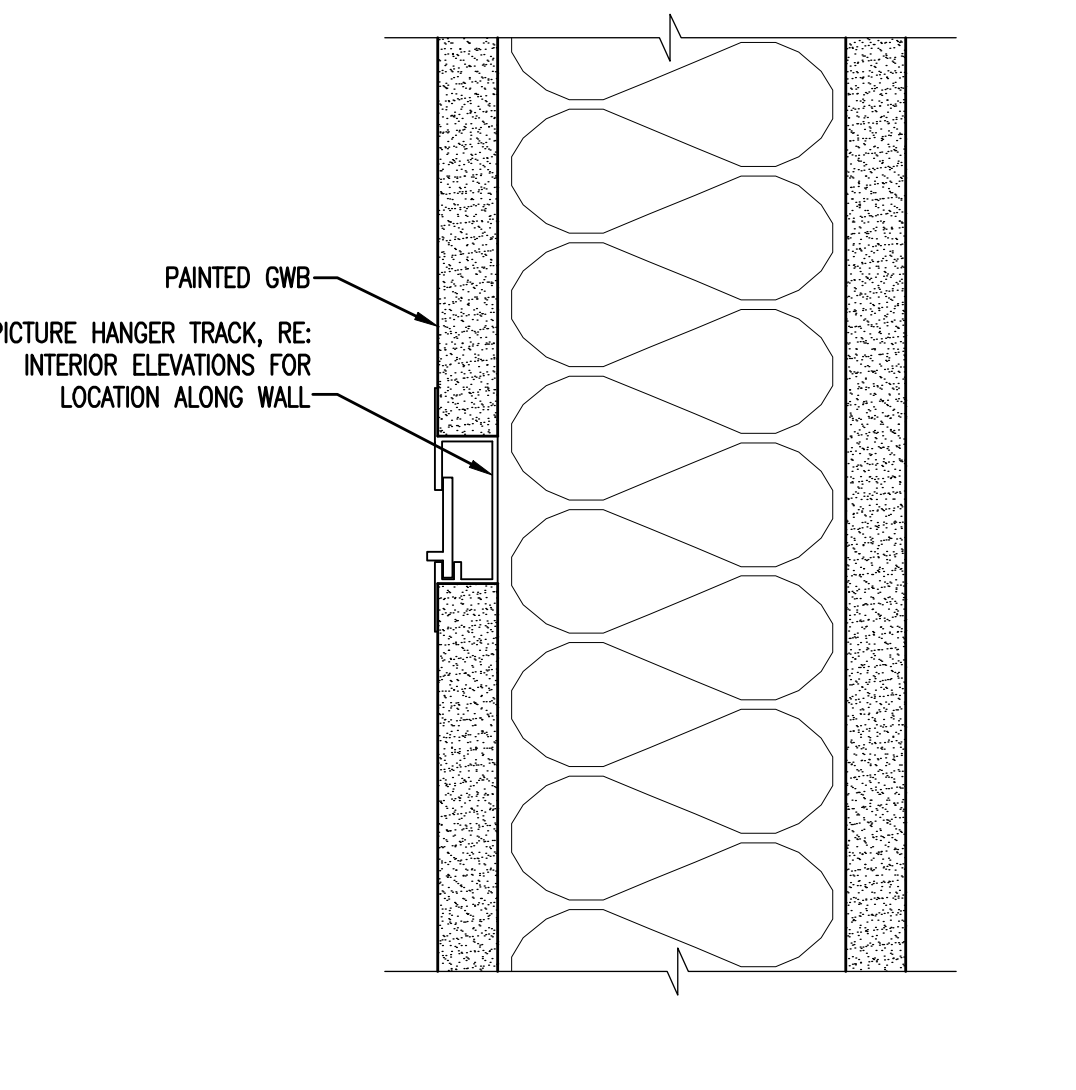
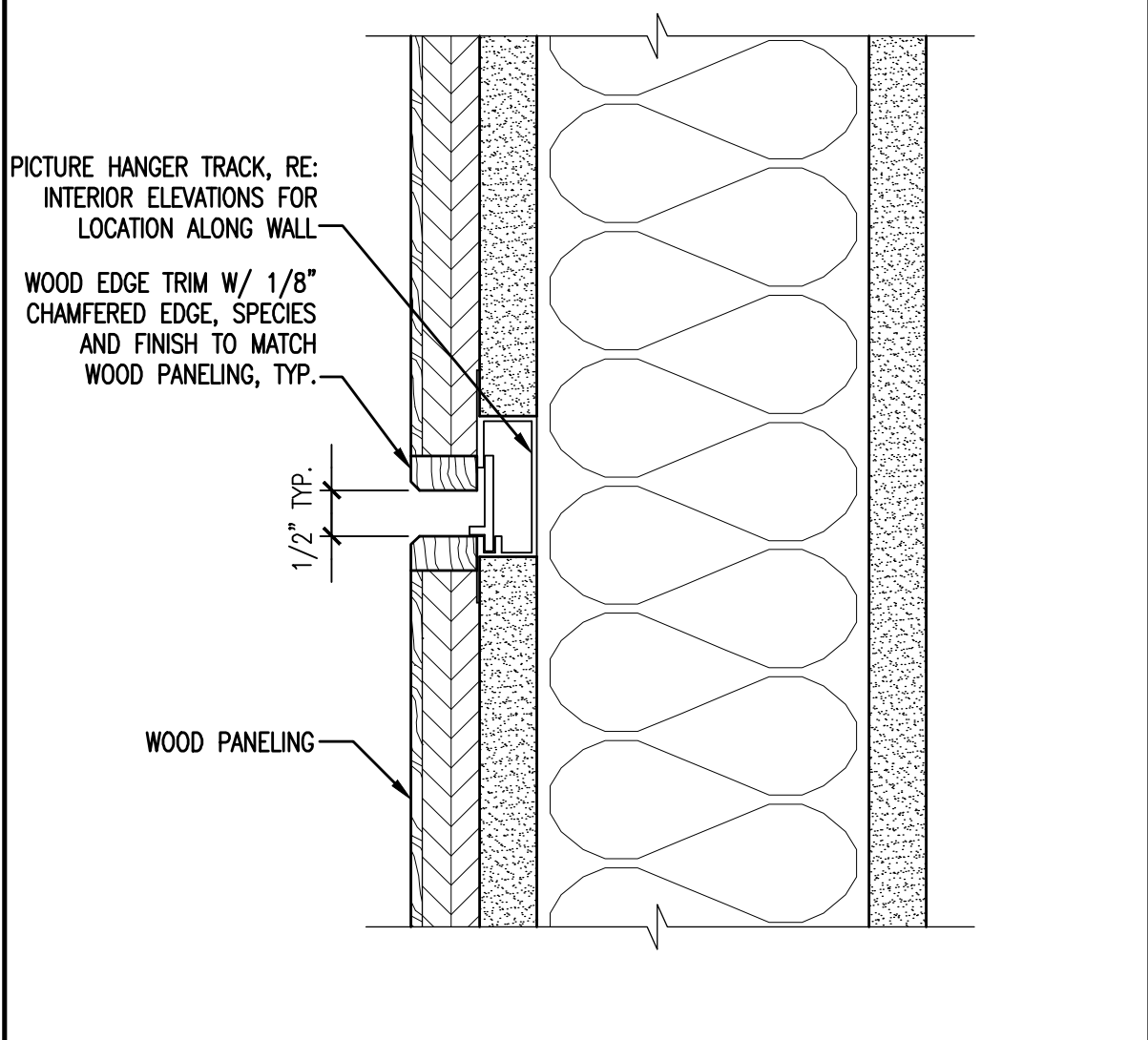
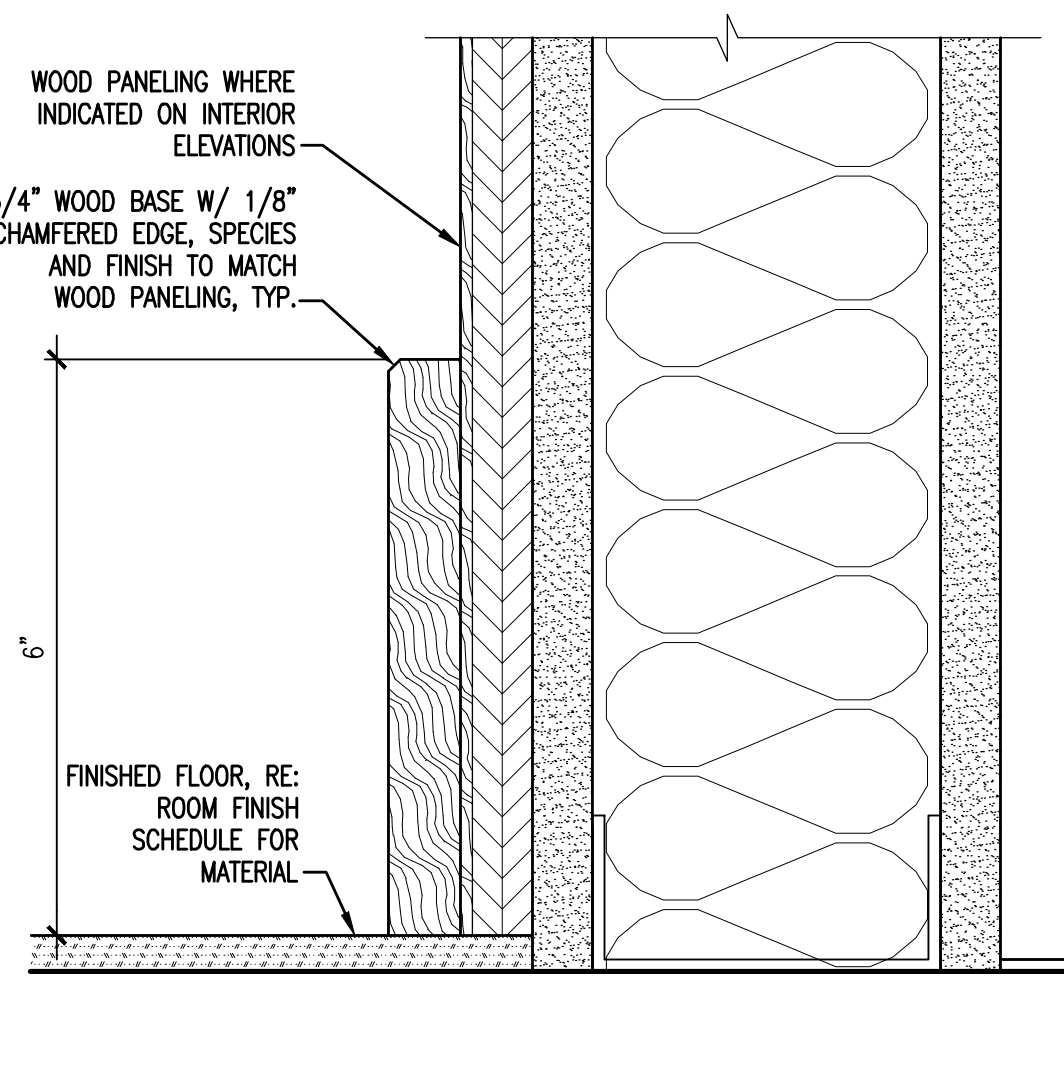


E4 TYP. CHAIRRAIL @ PAINTED GWB WALL
6" = 1'-0"

E4 TYP. CHAIRRAIL @ WOOD PANELING WAINSCOT
6" = 1'-0"

E7 TYP. HORIZ/VERT REVEAL @ WOOD PANELING
6" = 1'-0"

E10 WOOD BASE @ CENTRAL STAIR
6" = 1'-0"



A1 TYP. WOOD BASE
6" = 1'-0"

A4 TYP. PICTURE HANGER REVEAL @ WOOD PANELING
6" = 1'-0"

A7 TYP. PICTURE HANGER REVEAL @ PAINTED GWB WALL
6" = 1'-0"

A10 SECTION @ ABUSE PROTECTED WALL (SHIP/RECEIVE 168)
6" = 1'-0"

GENERAL NOTES:

1. SEE G101 FOR PROJECT GENERAL NOTES.

SM RT
ARCHITECTURE ENGINEERING PLANNING
SWRT
144 Fore Street/P.O. Box 618
Portland, Maine 04104
tel. (207) 772-3846
fax. (207) 772-1070

PROJECT TITLE: MAINE TURNPIKE AUTHORITY ADMINISTRATION BUILDING PORTLAND, MAINE
CURRENT ISSUE STATUS: ISSUED FOR BIDDING/CONSTRUCTION 7-9-07

REV	DESCRIPTION	DATE
0	BIDDING/CONSTRUCTION	7-9-07

GRAPHIC SCALE: 0" = 1"
SCALE: AS NOTED
PROJECT MANAGER: SLB
JC/DRAWN BY: TCM/DG
A/E OF RECORD: SLB
PROJECT NO: AE523-06016
DATE: 7-9-07
SHEET TITLE: INTERIOR ELEVATION SECTIONS & DETAILS
SHEET No. AE523