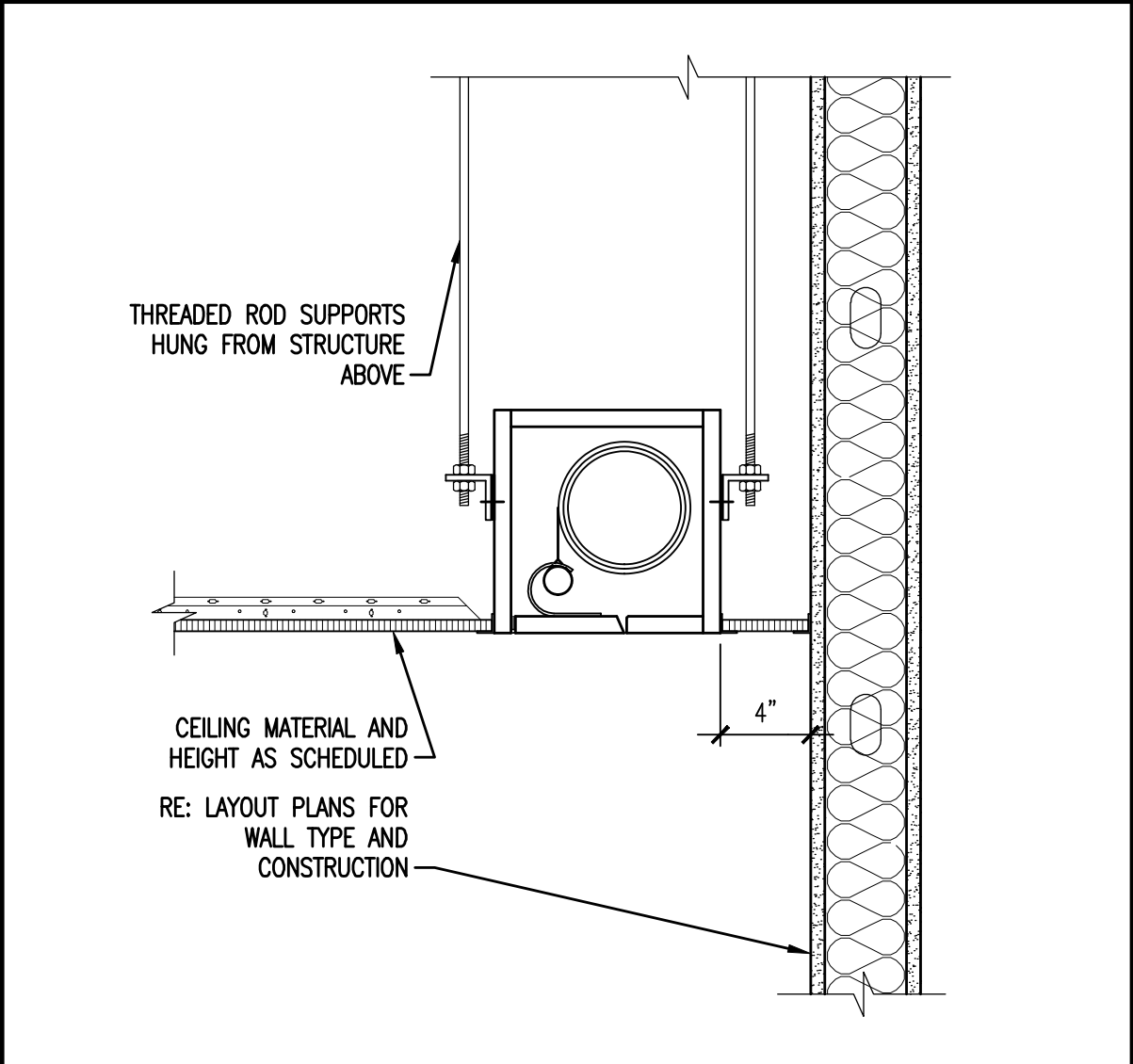
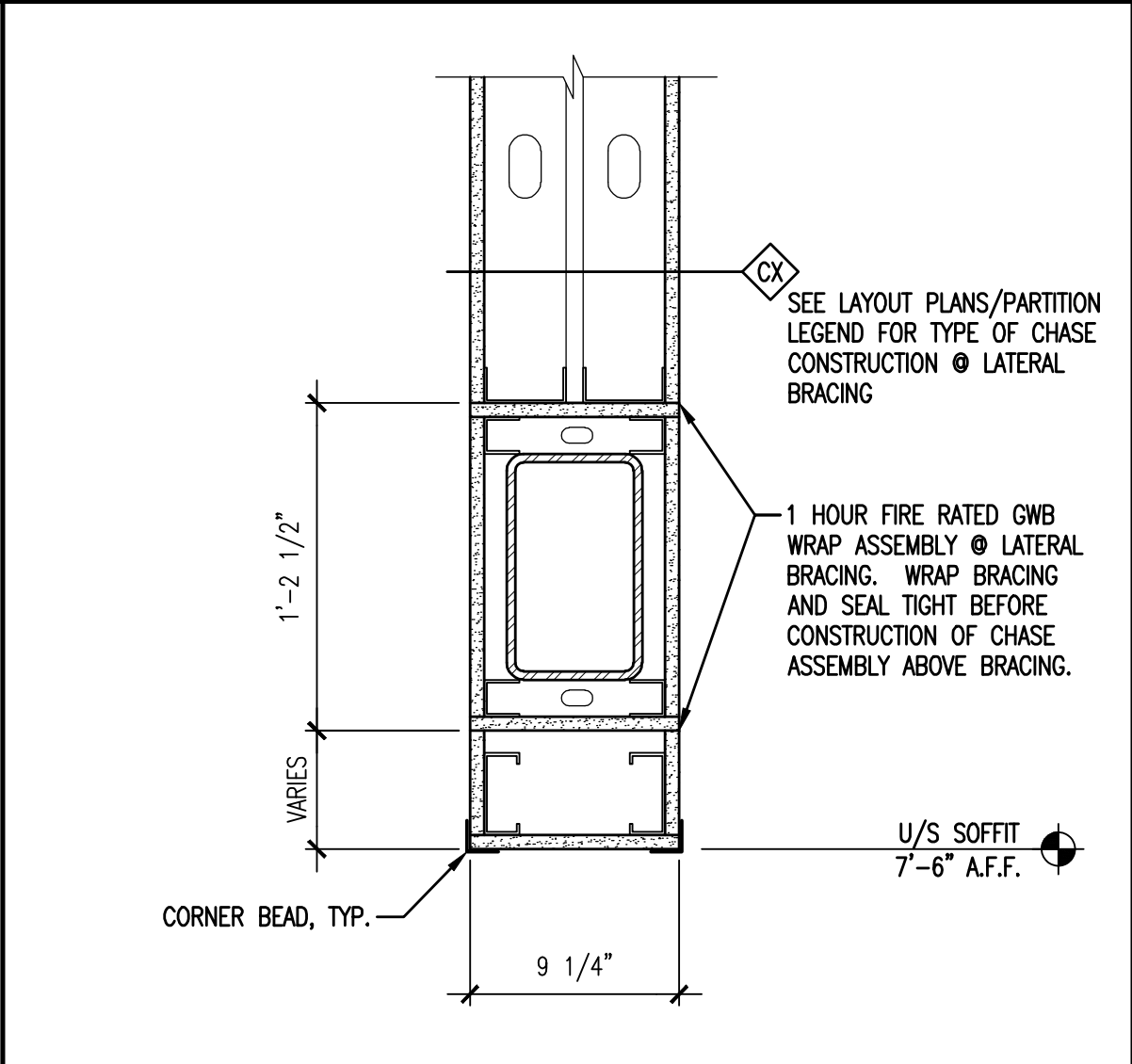
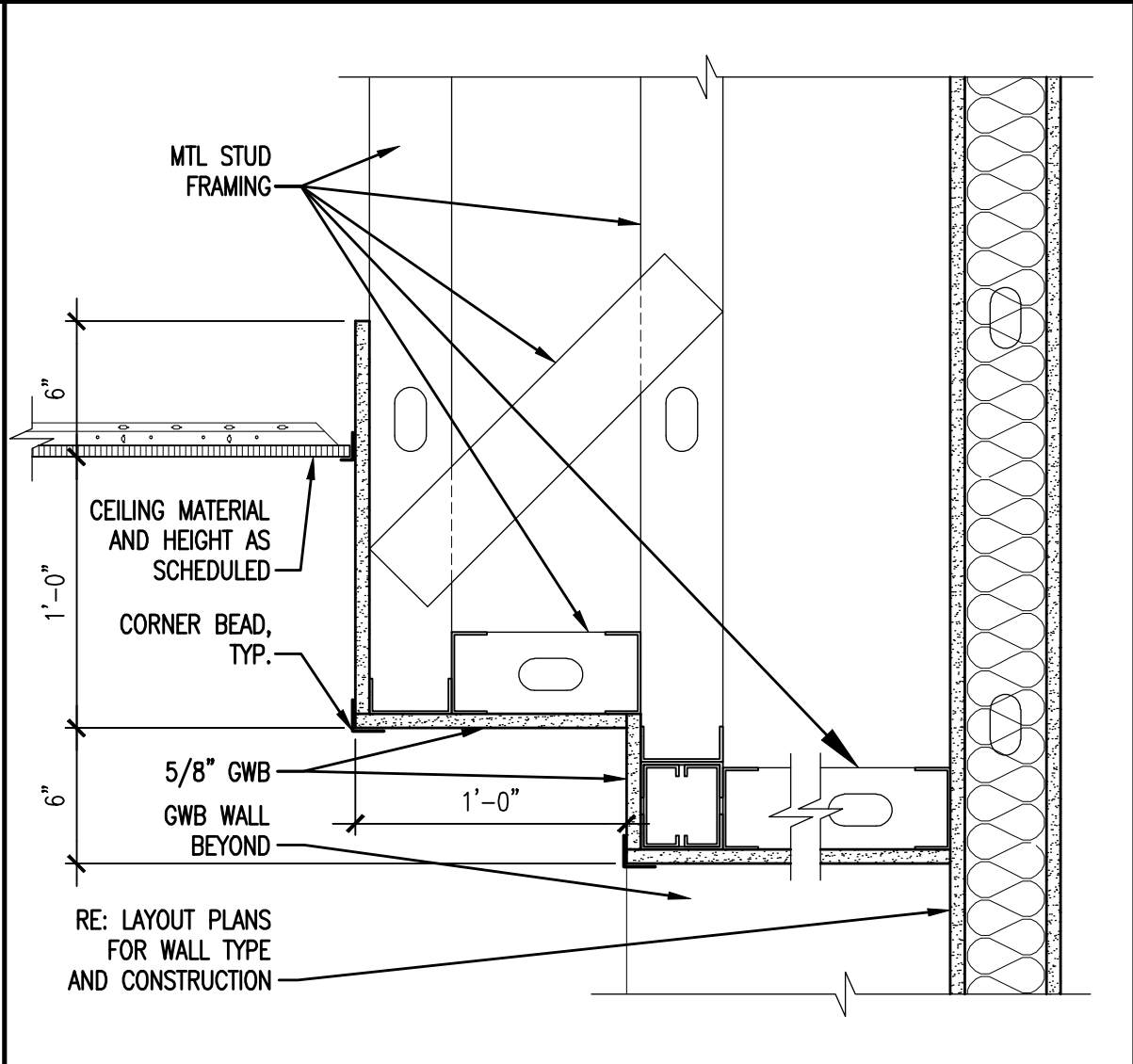
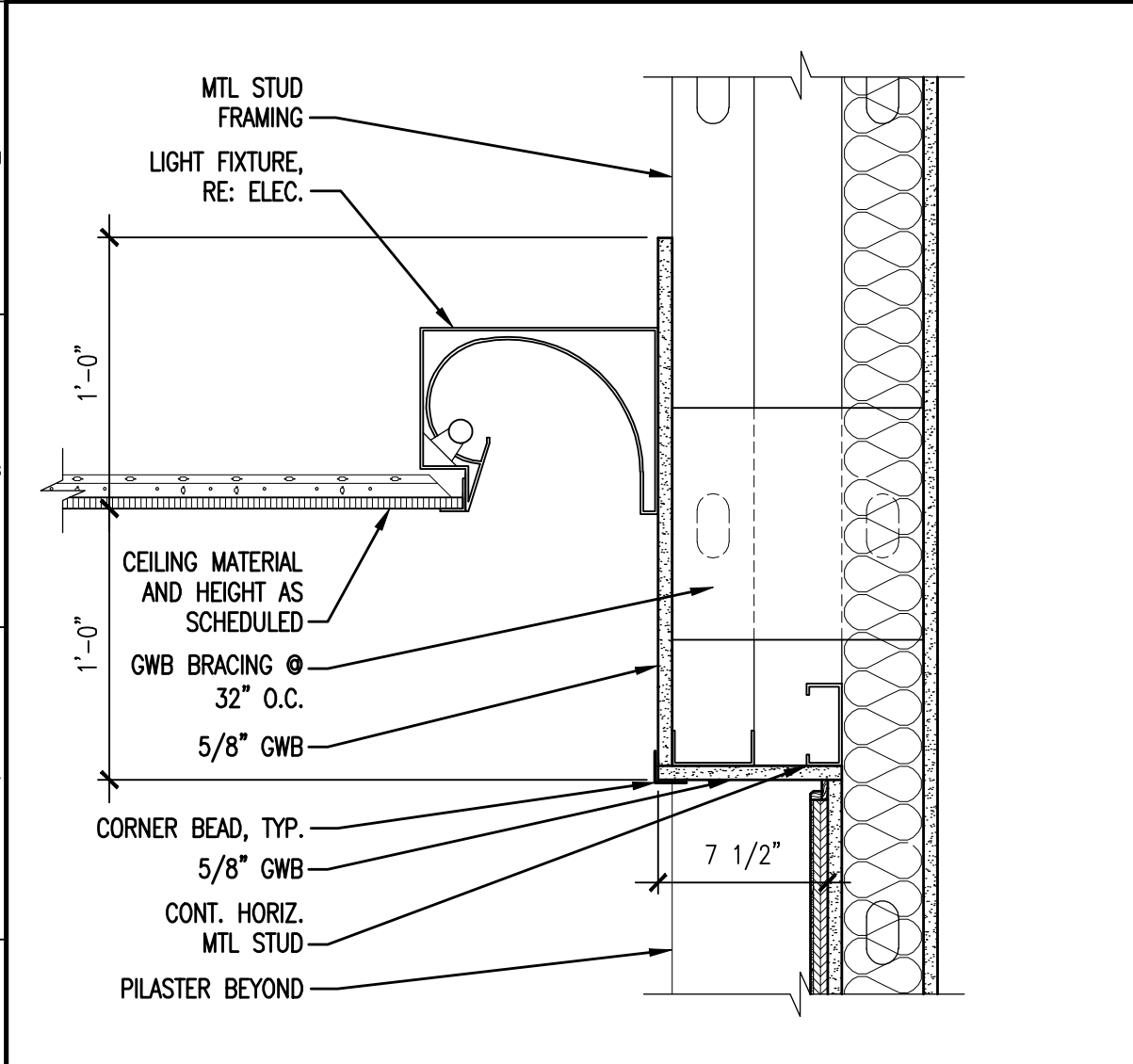


G1 SOFFIT SECTION @ LIGHT COVE
1 1/2" = 1'-0"

G4 SOFFIT SECTION @ RECESSED LIGHT COVE
1 1/2" = 1'-0"

G4 SOFFIT SECTION
1 1/2" = 1'-0"

G10 SOFFIT SECTION @ CLEAR STORY/SKYLIGHT
1 1/2" = 1'-0"

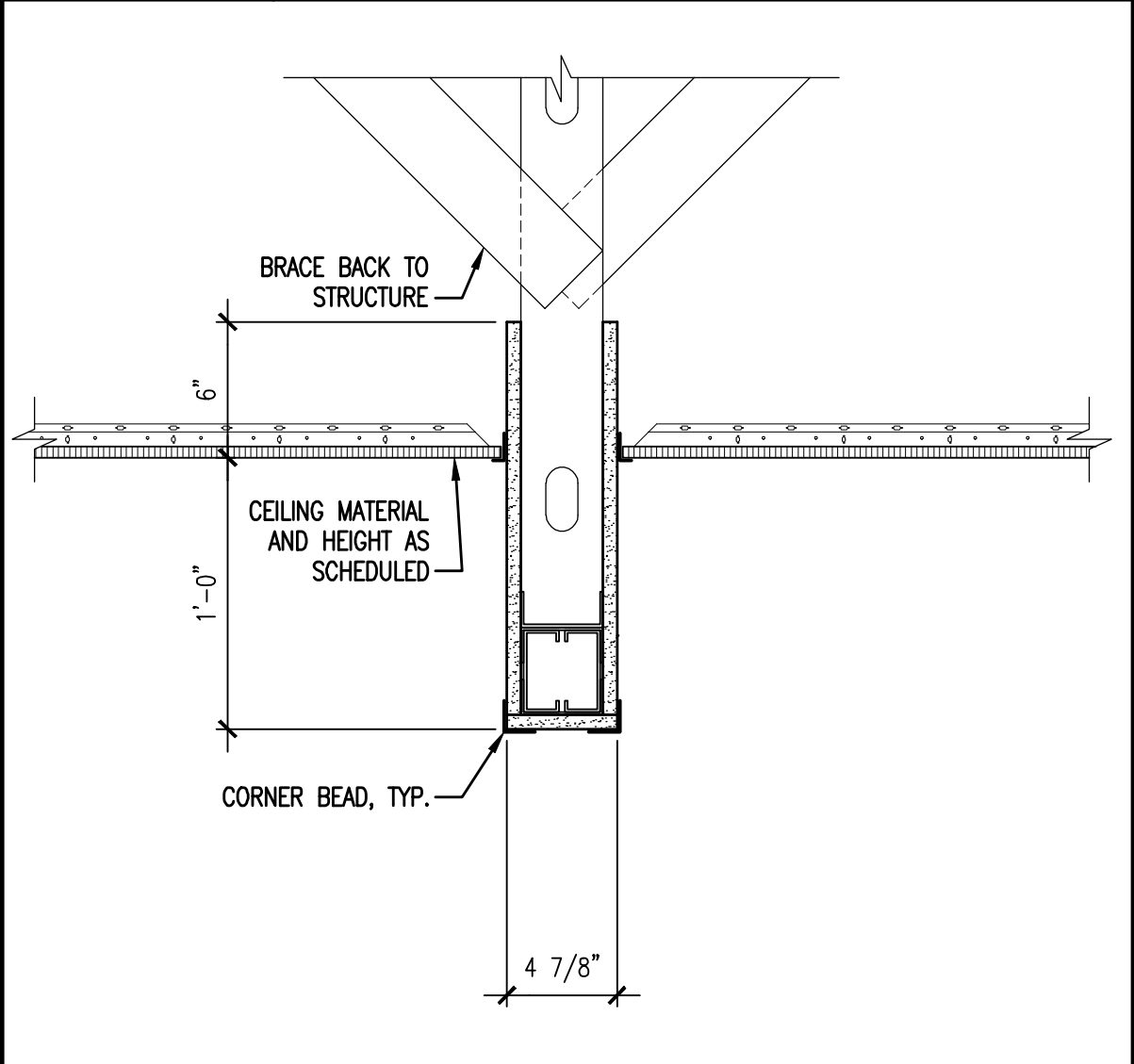
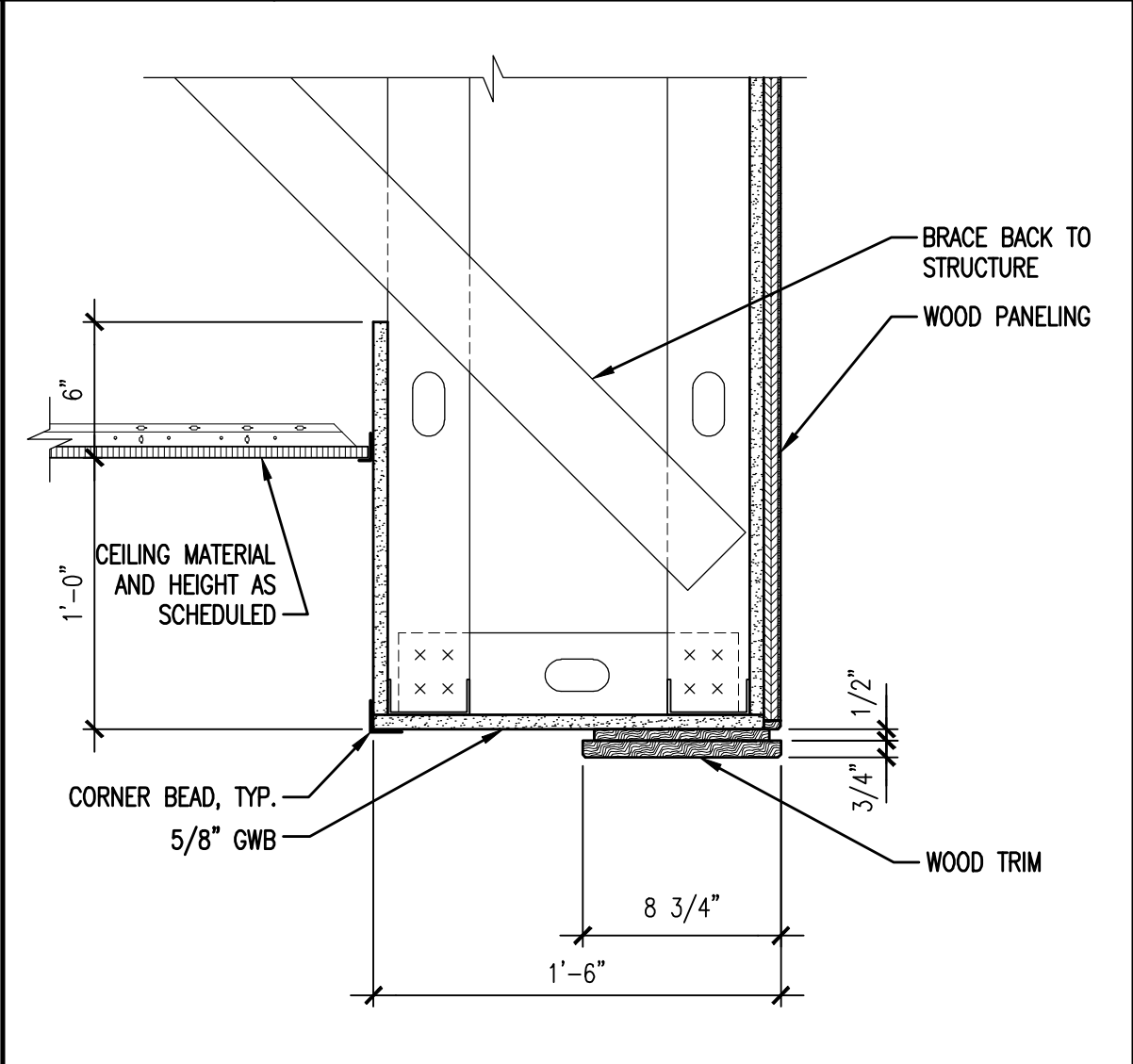
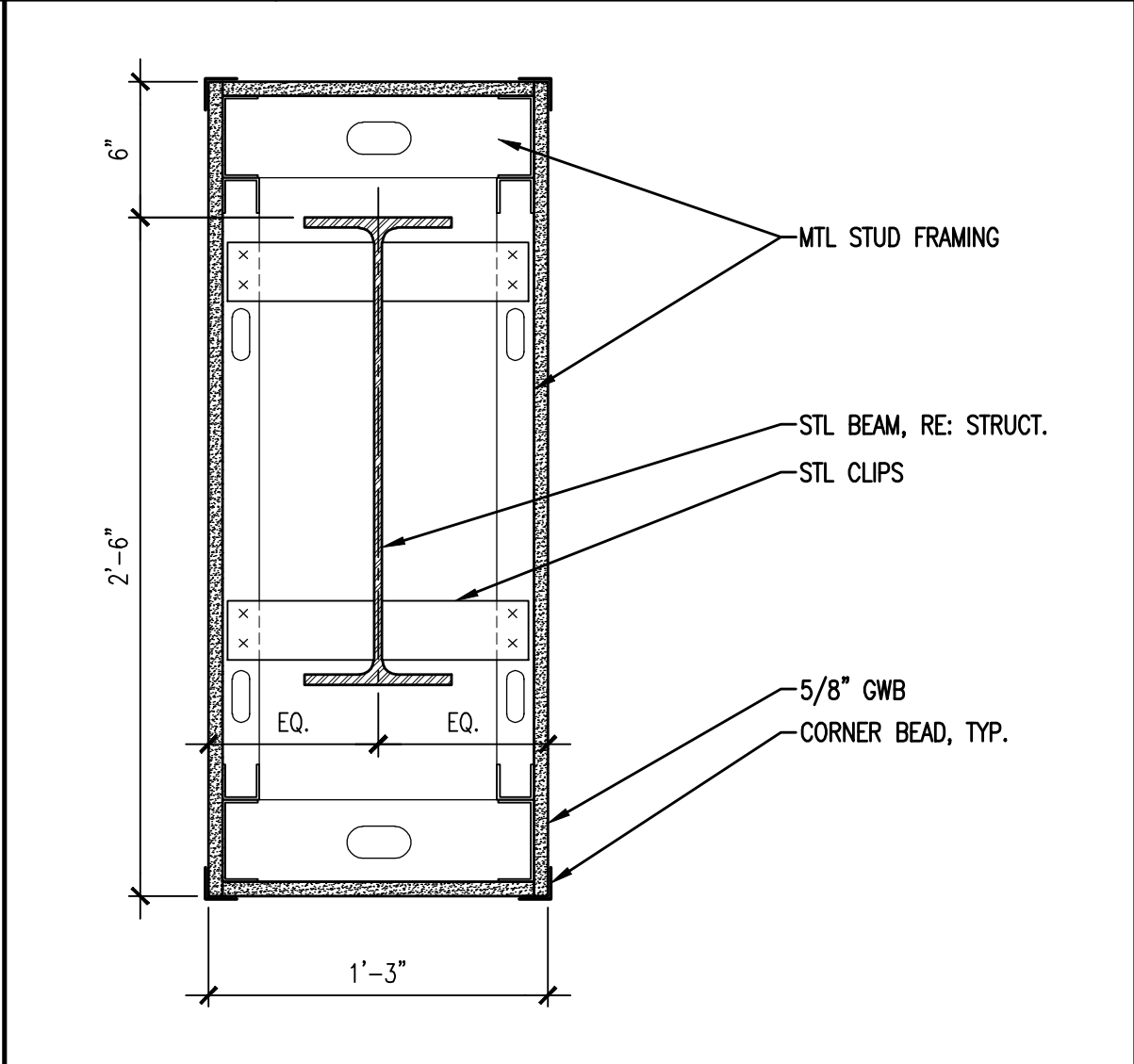
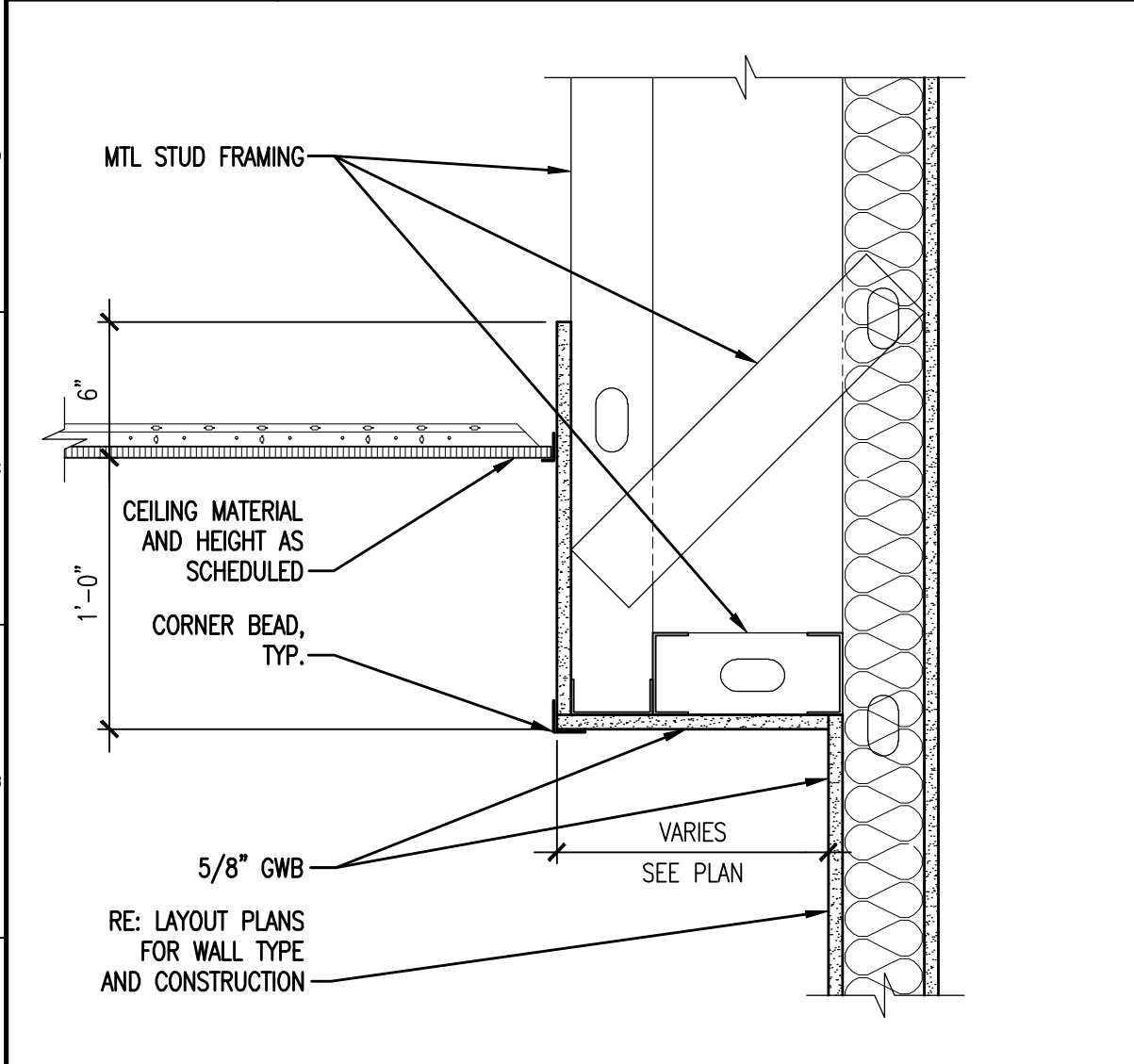


D1 SOFFIT SECTION @ RECESSED LIGHT COVE
1 1/2" = 1'-0"

D4 SOFFIT SECTION
1 1/2" = 1'-0"

D7 SOFFIT SECTION @ BRACING
1 1/2" = 1'-0"

D10 SECTION @ RECESSED PROJECTION SCREEN
1 1/2" = 1'-0"



A1 SOFFIT SECTION
1 1/2" = 1'-0"

A4 SECTION @ BEAM
1 1/2" = 1'-0"

A7 SOFFIT SECTION
1 1/2" = 1'-0"

A10 SOFFIT SECTION
1 1/2" = 1'-0"

GENERAL NOTES:
1. SEE G1001 FOR PROJECT GENERAL NOTES.

SM SRT
ARCHITECTURE ENGINEERING PLANNING
SWRT
144 Fore Street/P.O. Box 618
Portland, Maine 04104
tel. (207) 772-3846
fax. (207) 772-1070

PROJECT TITLE: MAINE TURNPIKE AUTHORITY ADMINISTRATION BUILDING PORTLAND, MAINE
CURRENT ISSUE STATUS: ISSUED FOR BIDDING/CONSTRUCTION 7-9-07

REV	DESCRIPTION	DATE
0	BIDDING/CONSTRUCTION	7-9-07

GRAPHIC SCALE: 0" = 1"
SCALE: AS NOTED
PROJECT MANAGER: SLB
JC/DRAWN BY: TCM/DG
A/E OF RECORD: SLB
CAD FILE: AE515-06016
PROJECT NO: 06016
DATE: 7-9-07
SHEET TITLE: SECTIONS & DETAILS
SHEET No. AE515