

GENERAL NOTES:

1. SEE G1001 FOR PROJECT GENERAL NOTES.

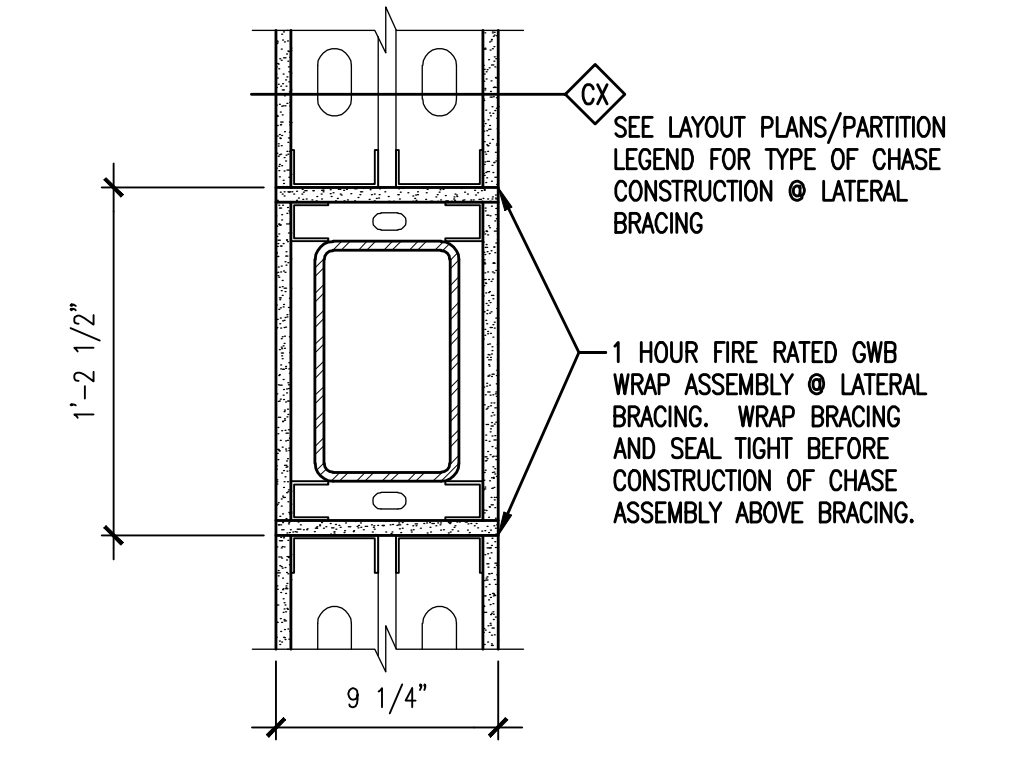
SM RPT

ARCHITECTURE ENGINEERING PLANNING
 SHWRT
 144 Fore Street/P.O. Box 618
 Portland, Maine 04104
 tel. (207) 772-3846
 fax. (207) 772-1070

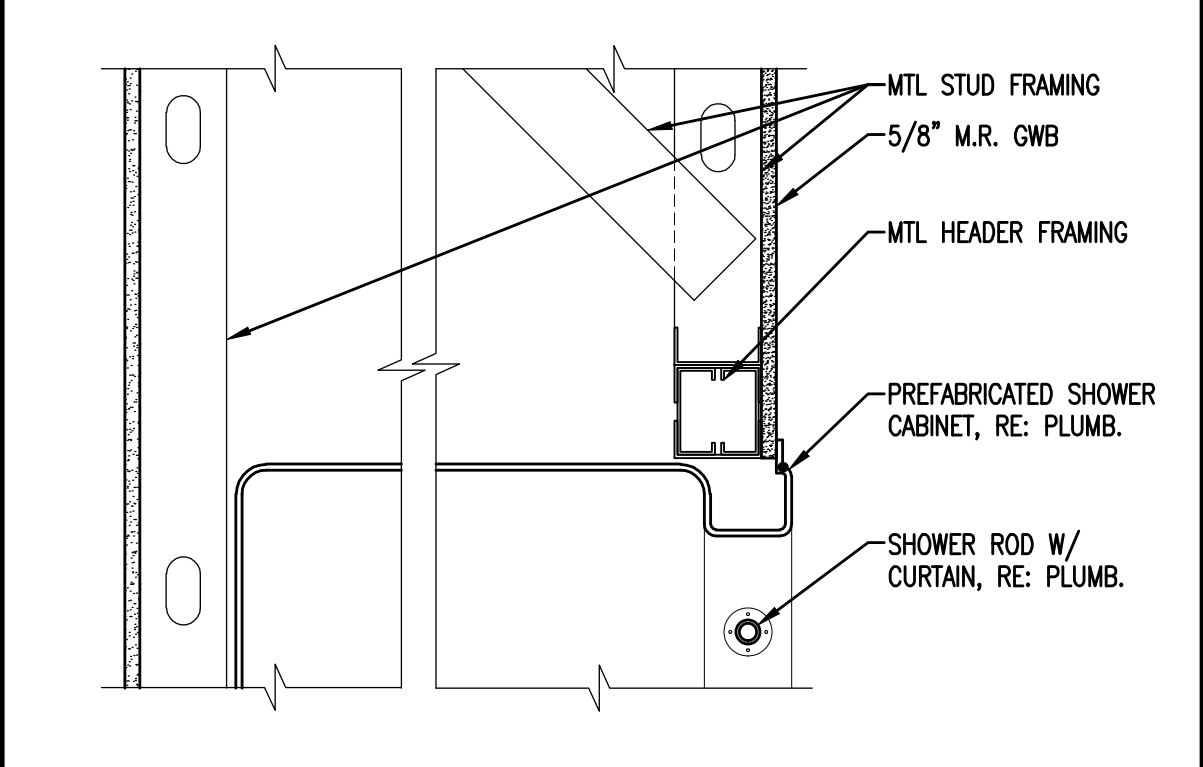
K1	—	K4	—
*	—	*	—

K7	SECTION @ OPERABLE PARTITION	1 1/2" = 1'-0"	—
----	------------------------------	----------------	---

K10	SECTION @ HORIZONTAL SHAFT ABOVE CEILING	1 1/2" = 1'-0"	—
-----	--	----------------	---



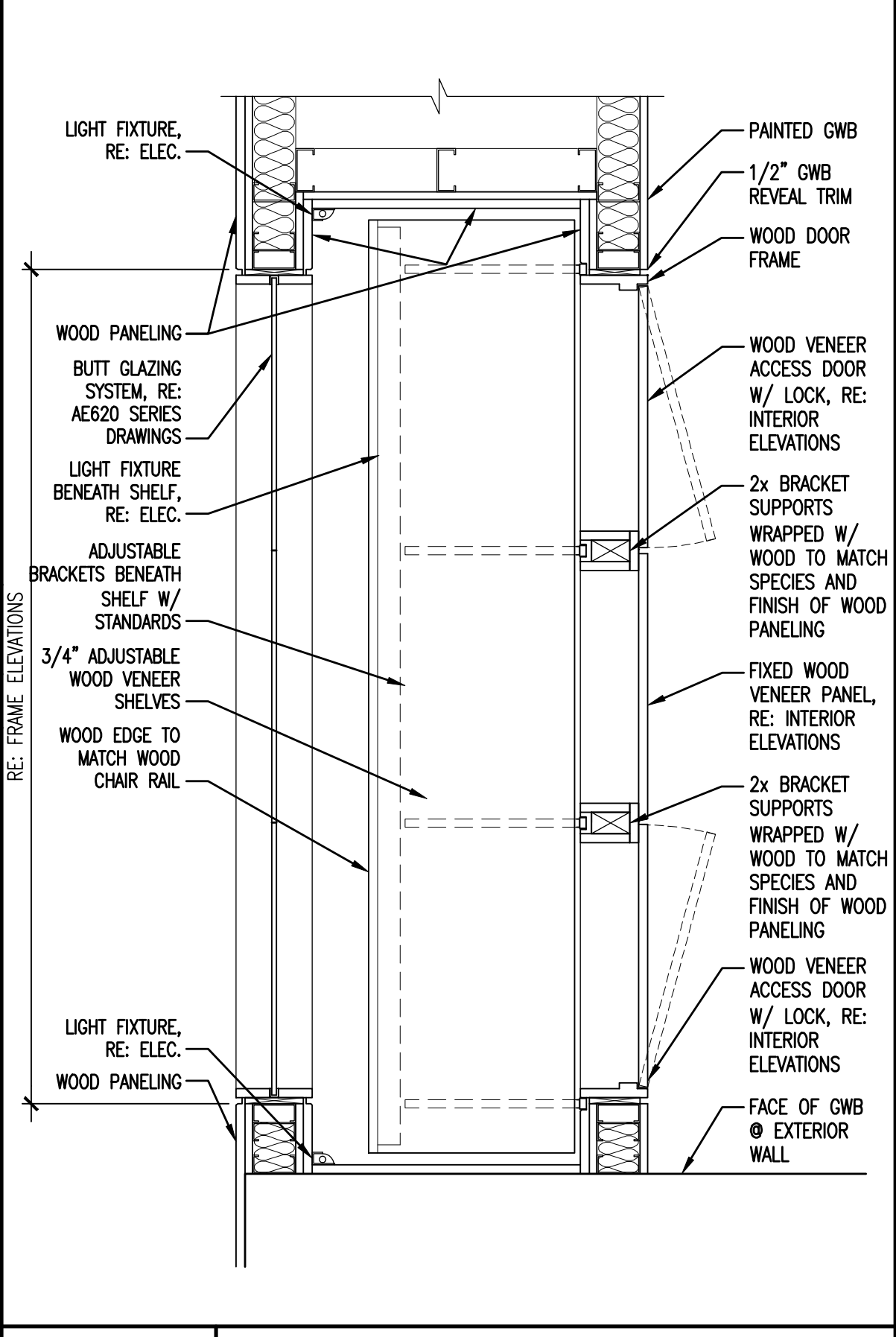
G7	SECTION @ LATERAL BRACING	1 1/2" = 1'-0"	—
----	---------------------------	----------------	---



G10	SECTION @ SHOWER	1 1/2" = 1'-0"	—
-----	------------------	----------------	---

A1	—	A7	—
*	—	*	—

D7	—	1" = 1'-0"	—
----	---	------------	---



PROJECT TITLE: MAINE TURNPIKE AUTHORITY ADMINISTRATION BUILDING PORTLAND, MAINE

CURRENT ISSUE STATUS: ISSUED FOR BIDDING/CONSTRUCTION 7-9-07

REV	DESCRIPTION	DATE
0	BIDDING/CONSTRUCTION	7-9-07

GRAPHIC SCALE: 0" = 1"

SCALE: AS NOTED

PROJECT MANAGER: SLB
 JC/DRAWN BY: TCM/TCM
 A/E OF RECORD: SLB
 CAD FILE: AE514-06016
 PROJECT NO: 06016
 DATE: 7-9-07

SHEET TITLE: PLAN SECTIONS & DETAILS

SHEET No. AE514