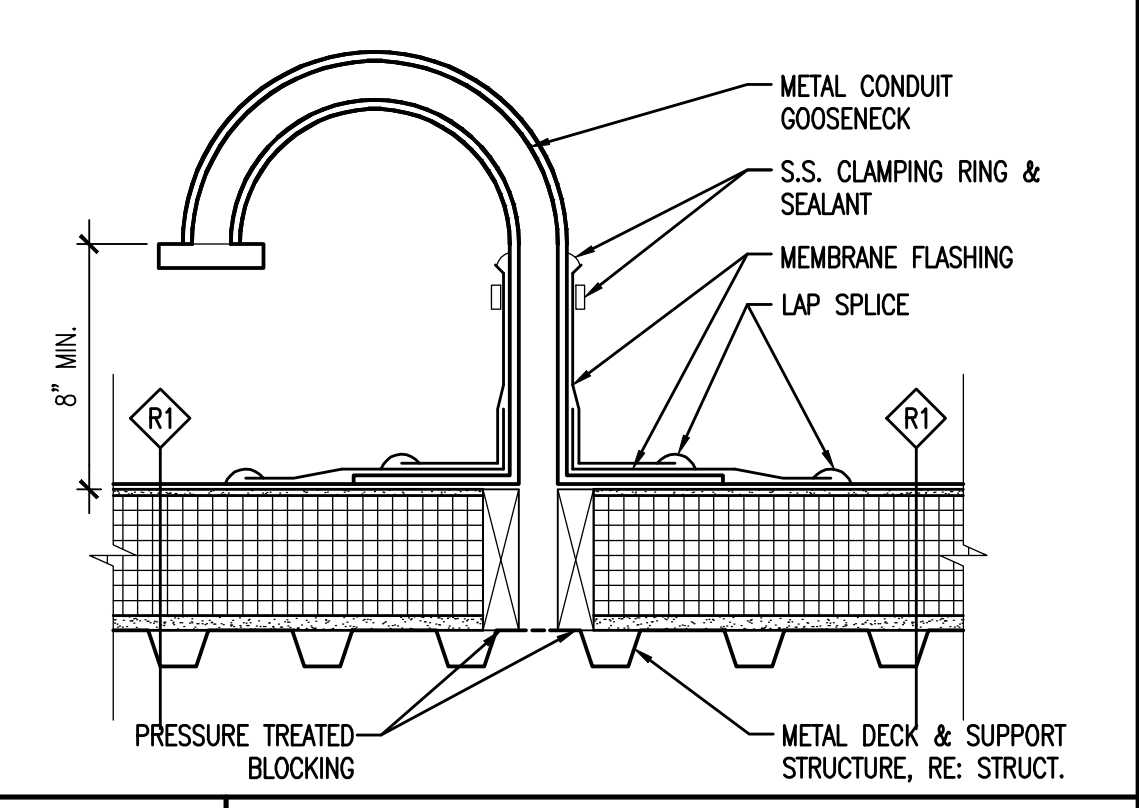
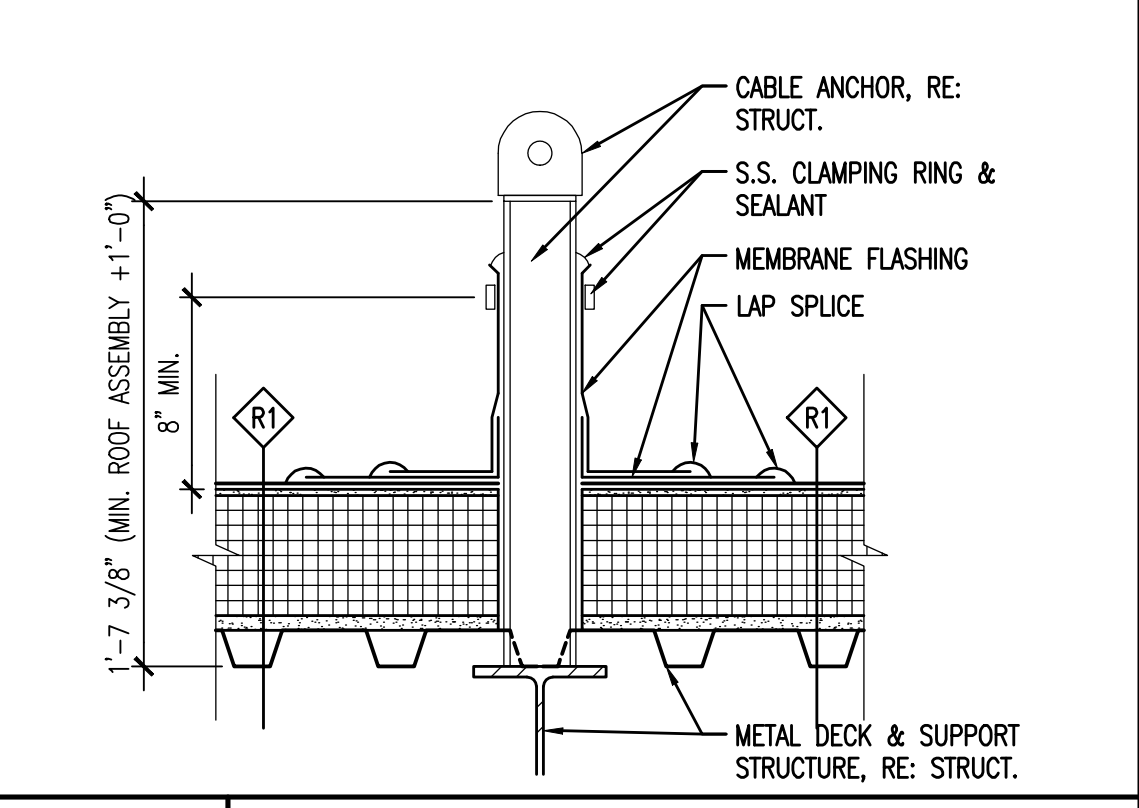
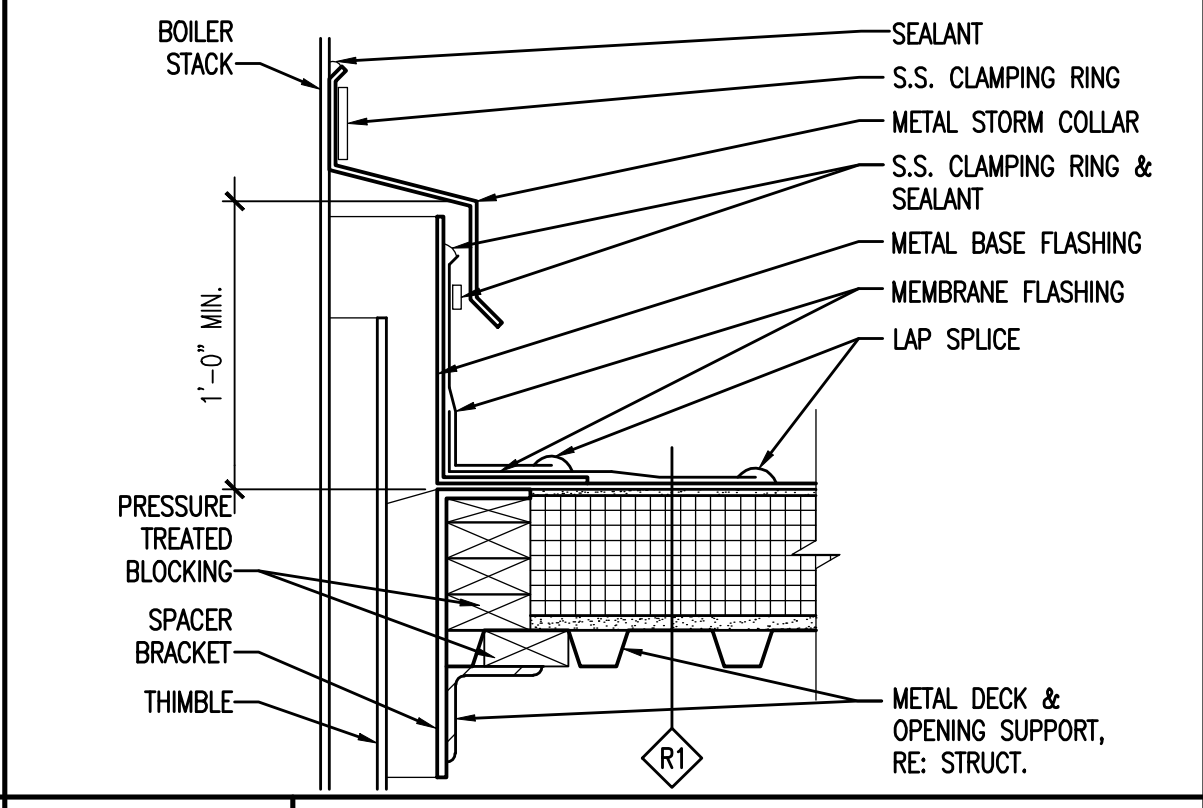


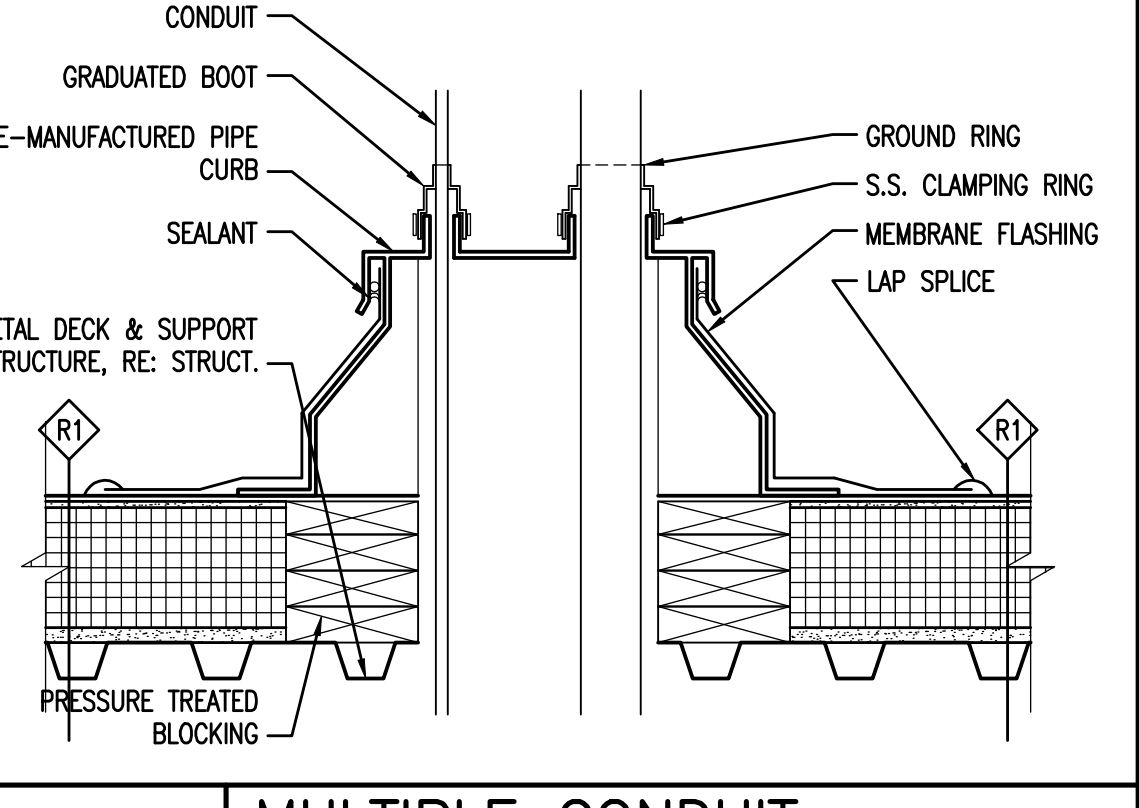
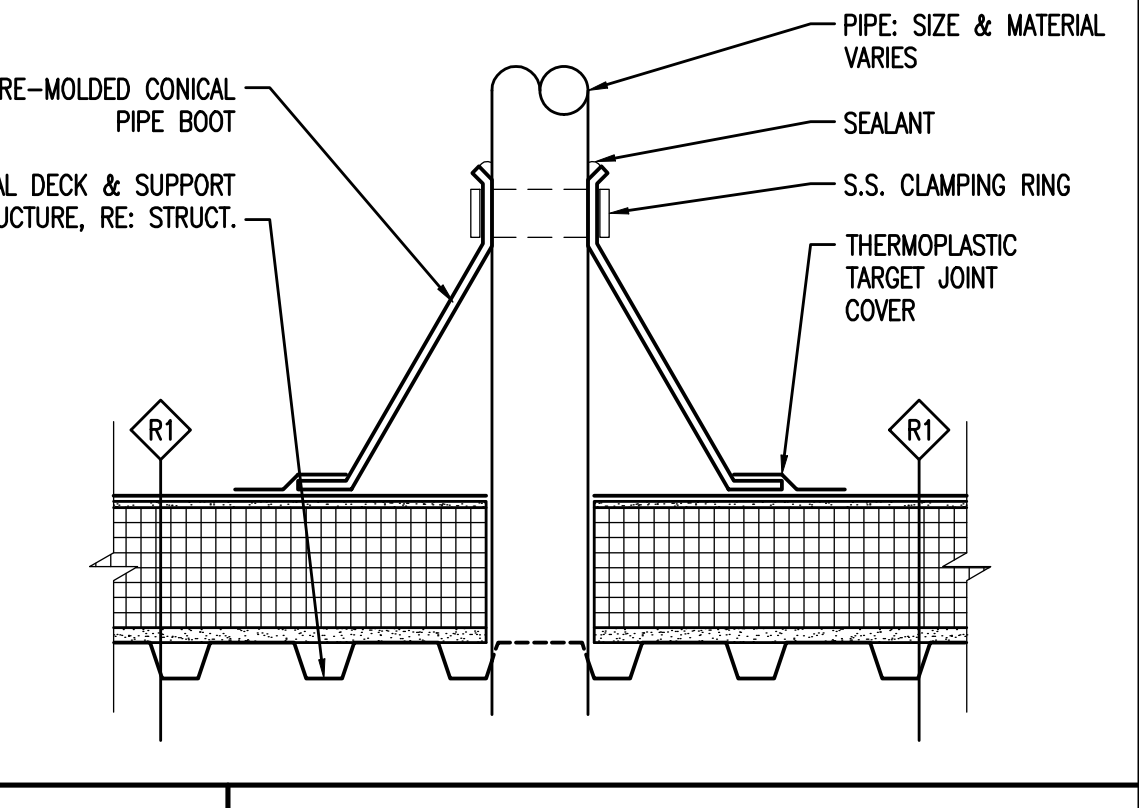
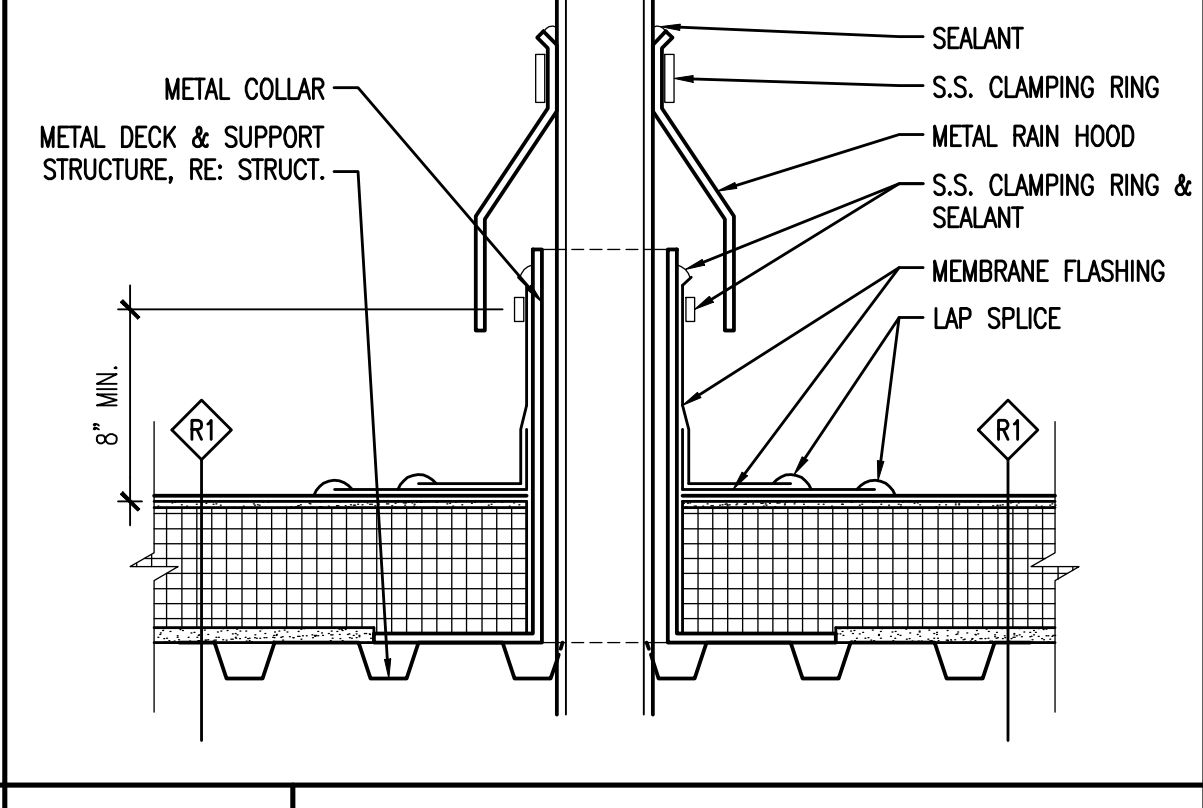
GENERAL NOTES:
1. SEE G1001 FOR PROJECT GENERAL NOTES.

SM RPT
ARCHITECTURE ENGINEERING PLANNING
144 Fore Street/P.O. Box 618
Portland, Maine 04104
tel. (207) 772-3846
fax. (207) 772-1070

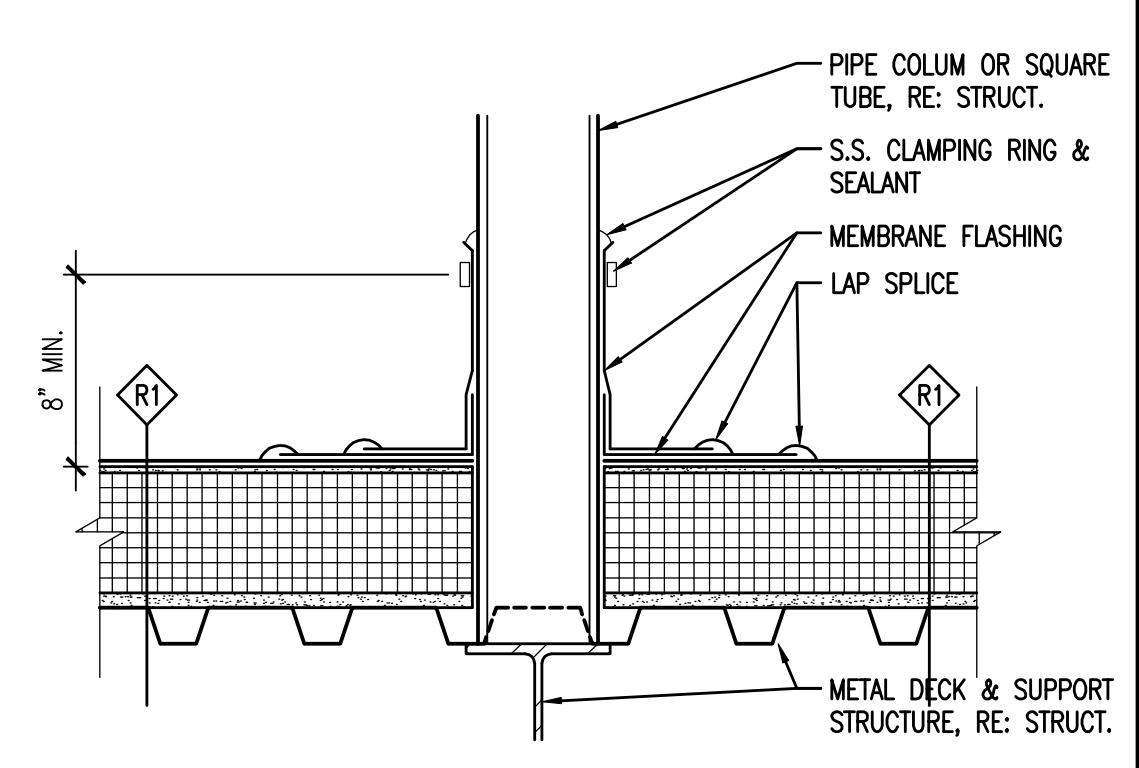
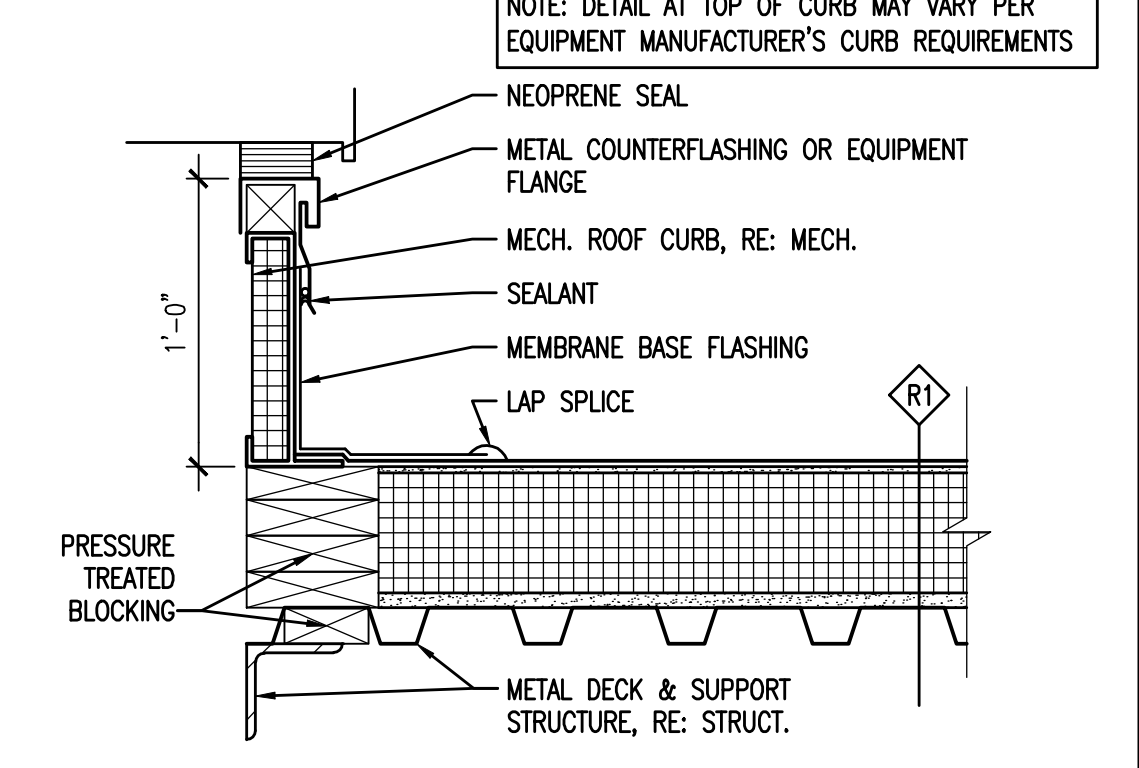
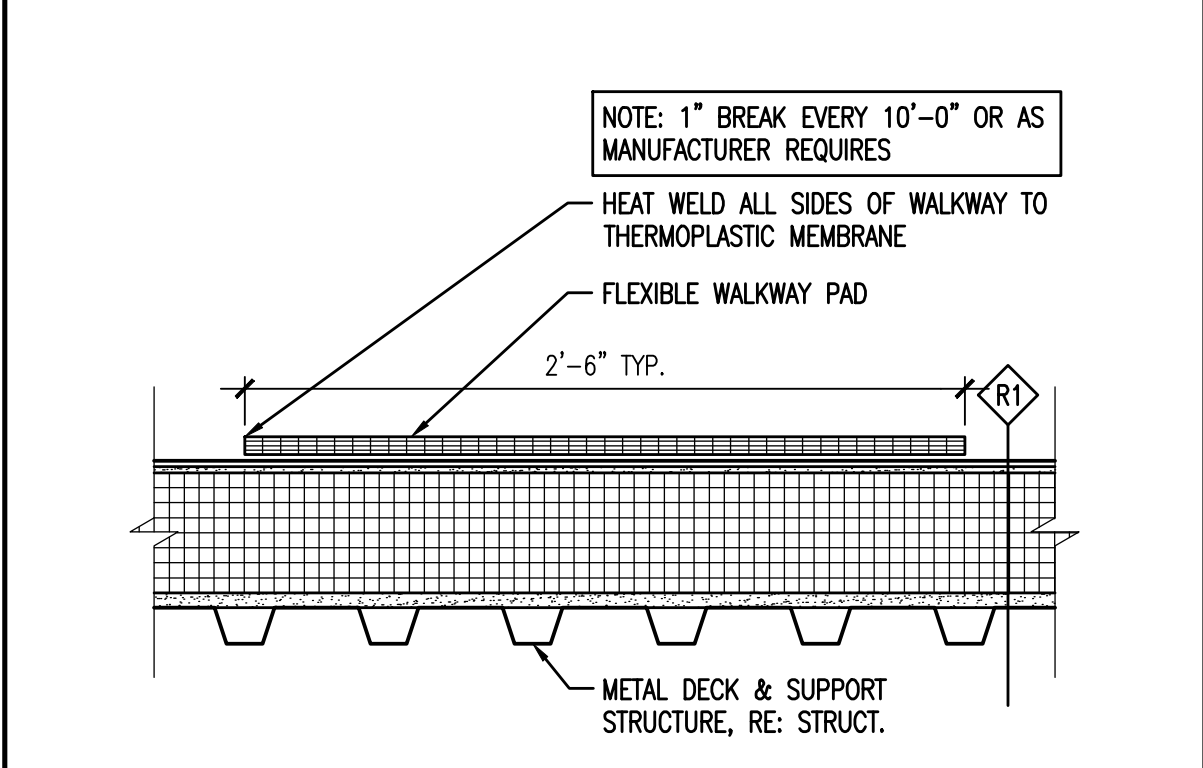
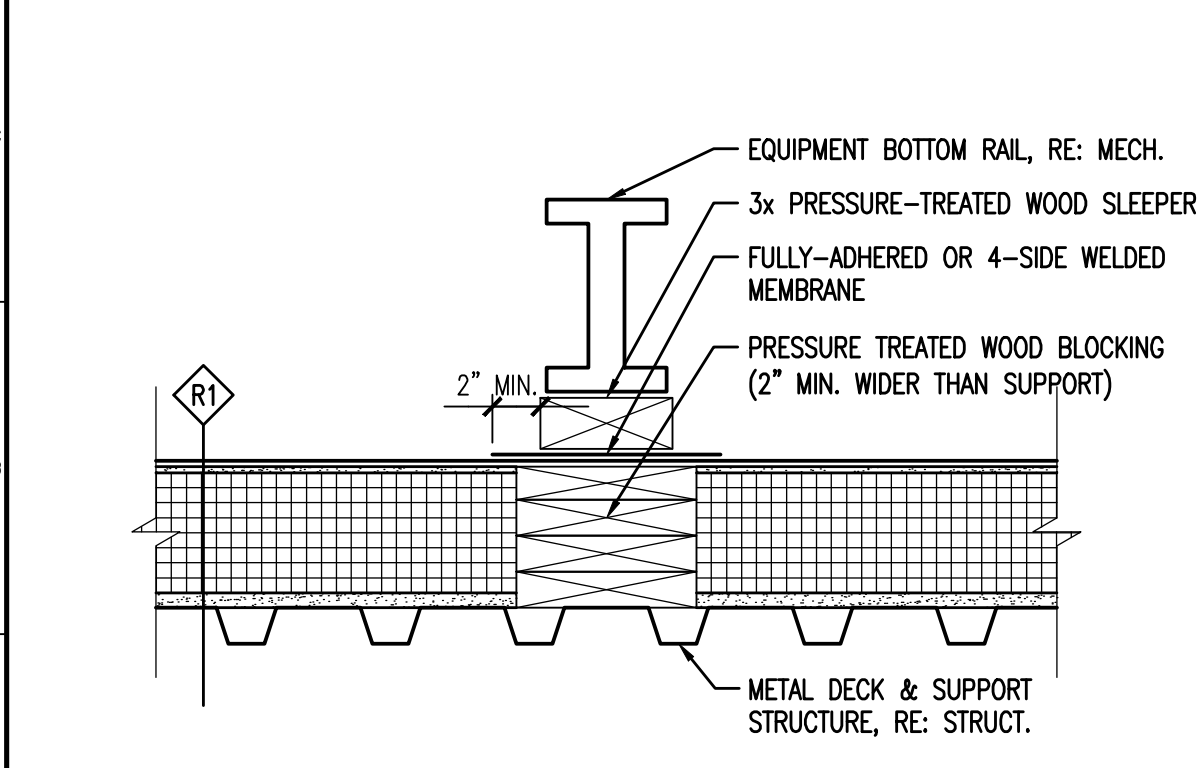
K1	—	K4	ROOF HATCH CURB	K7	ROOF DRAIN	K10	DUCT PENETRATION
*	—	NOT TO SCALE	—	NOT TO SCALE	—	NOT TO SCALE	—



G1	—	G4	BOILER STACK PENETRATION	G7	CABLE ANCHOR PENETRATION	G10	FLEXIBLE PENETRATION
*	—	NOT TO SCALE	—	NOT TO SCALE	—	NOT TO SCALE	—



D1	—	D4	HOT PIPE PENETRATION	D7	PIPE PENETRATION (BOOT)	D10	MULTIPLE CONDUIT PENETRATION
*	—	NOT TO SCALE	—	NOT TO SCALE	—	NOT TO SCALE	—



A1	FLOATING SLEEPER DETAIL	A4	FLEXIBLE WALKWAY	A7	MECHANICAL EQUIPMENT CURB	A10	STRUCTURAL SUPPORT PENETRATION
*	—	—	—	NOT TO SCALE	—	NOT TO SCALE	—

PROJECT TITLE: MAINE TURNPIKE AUTHORITY ADMINISTRATION BUILDING PORTLAND, MAINE
CURRENT ISSUE STATUS: ISSUED FOR BIDDING/CONSTRUCTION 7-9-07
GRAPHIC SCALE: 0" = 1"
SCALE: AS NOTED
PROJECT MANAGER: SLB
JC/DRAWN BY: TCM/TCM
A/E OF RECORD: SLB
CAD FILE: AE501-06016
PROJECT NO: 06016
DATE: 7-9-07
SHEET TITLE: TYPICAL SECTIONS & DETAILS
SHEET No. AE501