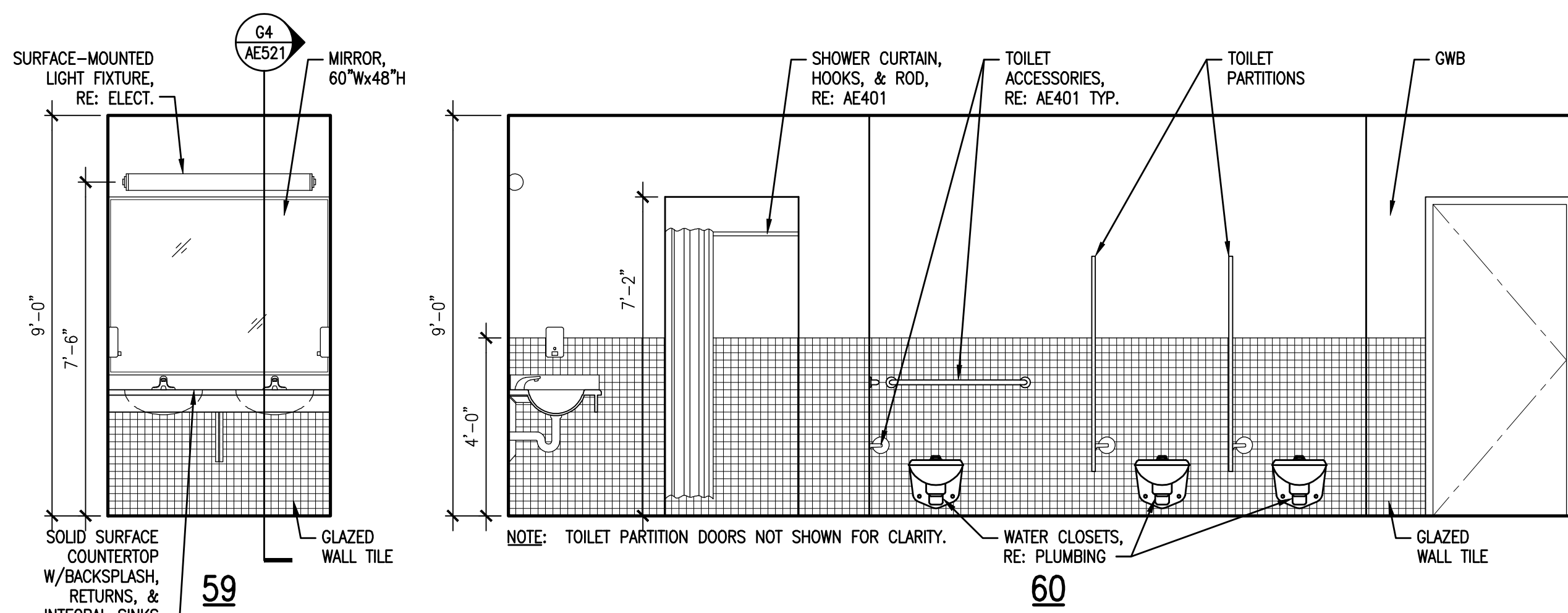


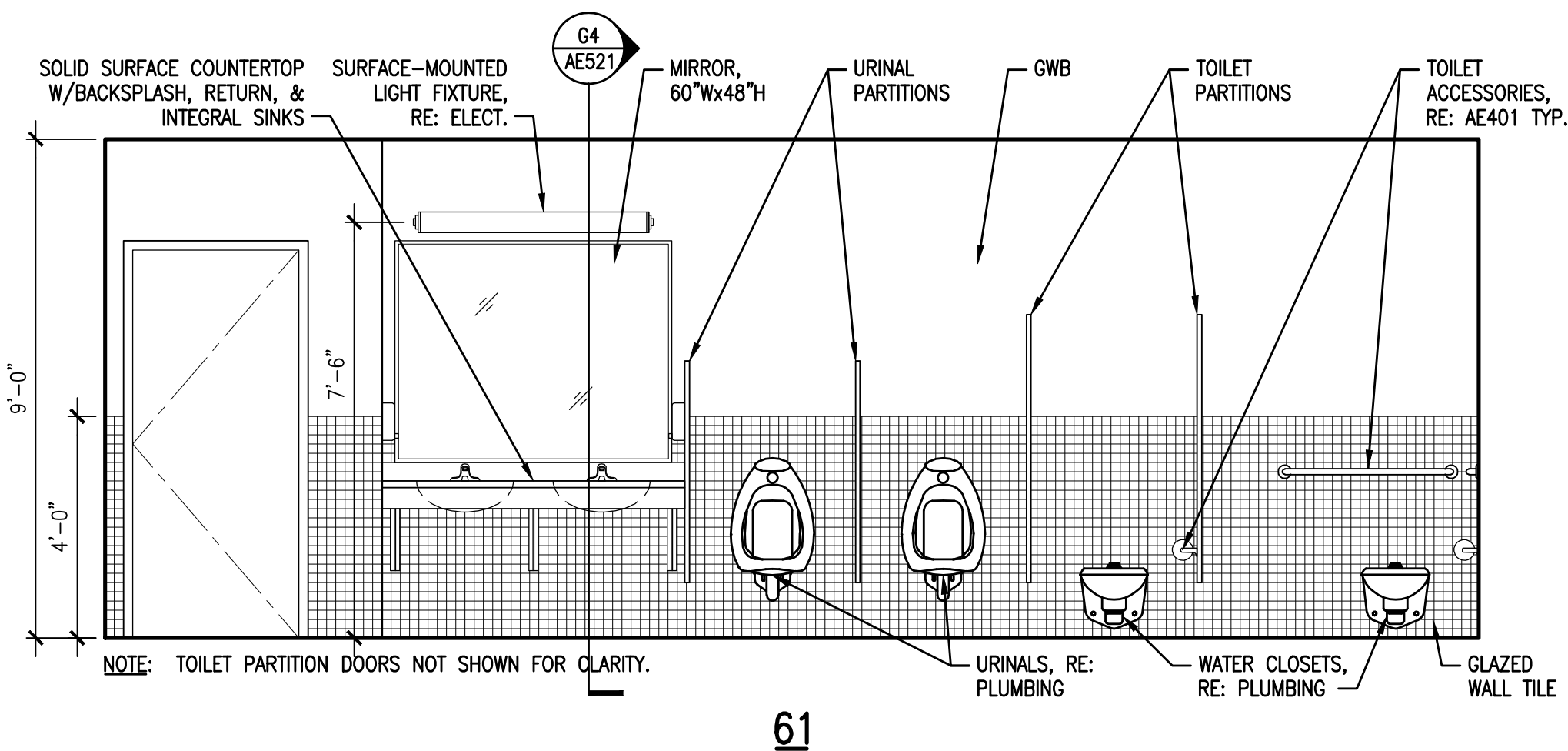
J1 INTERIOR ELEVATION
MEN'S TOILET 102

3/8" = 1'-0"



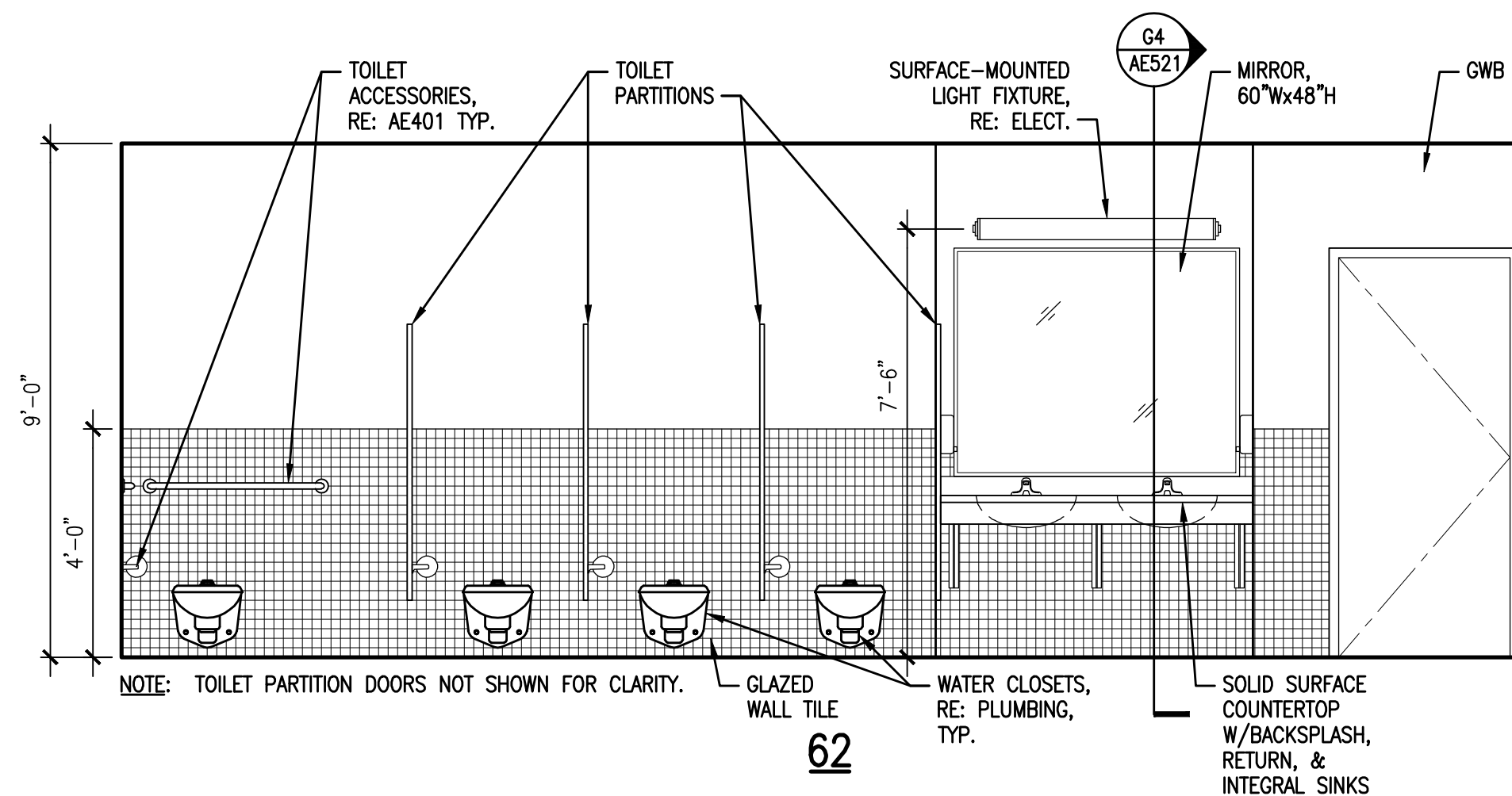
J6 INTERIOR ELEVATION
WOMEN'S TOILET 103

3/8" = 1'-0"



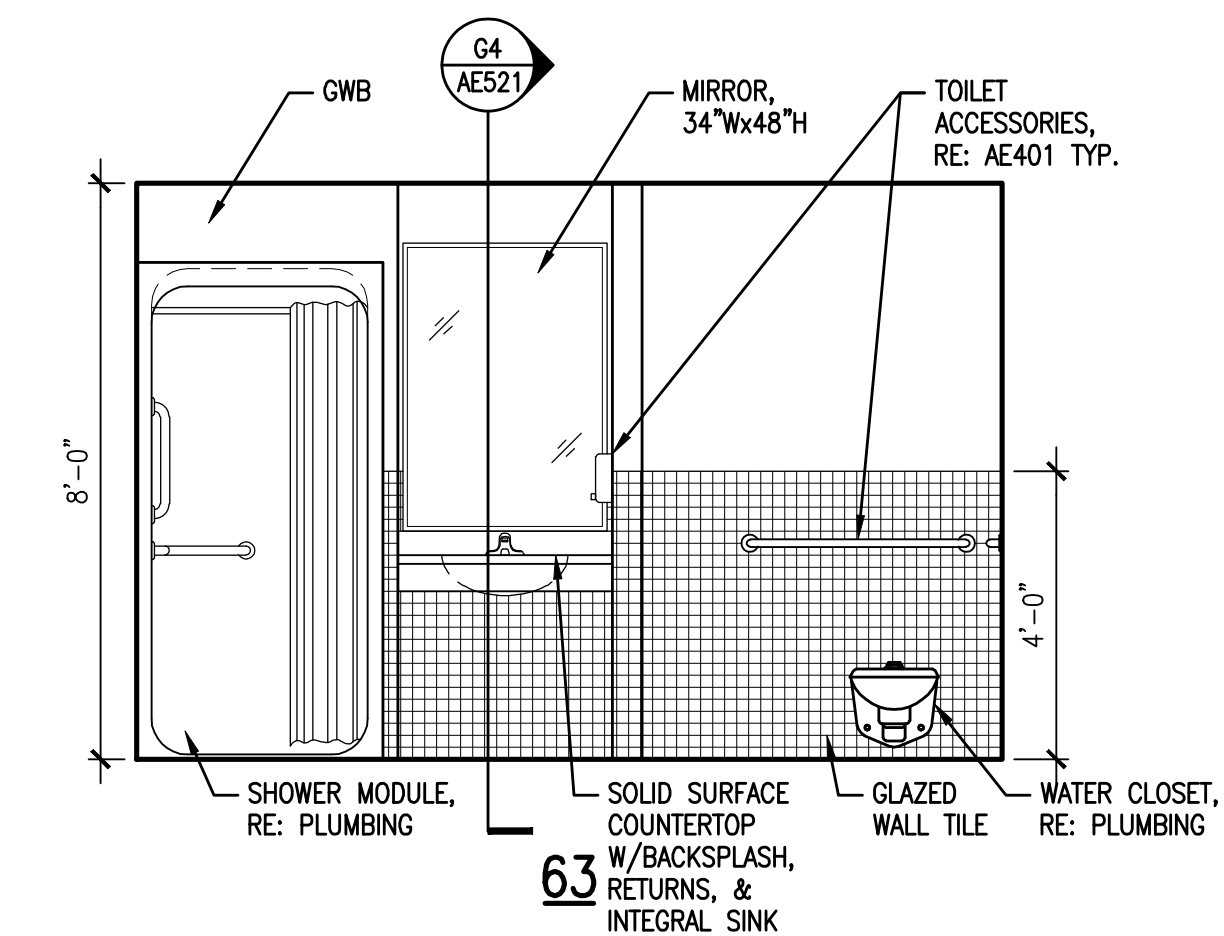
E1 INTERIOR ELEVATION
MEN'S TOILET 202 & 302

3/8" = 1'-0"



E6 INTERIOR ELEVATION
WOMEN'S TOILET 203 & 303

3/8" = 1'-0"



A1 INTERIOR ELEVATION
WOMEN'S & MEN'S SHOWER 135 & 136

3/8" = 1'-0"

GENERAL NOTES:

1. REFER TO G101 FOR PROJECT GENERAL NOTES.
2. REFER TO AE401 FOR ENLARGED TOILET ROOM PLANS & ACCESSORIES.
3. ALL WALLS IN ALL TOILET & SHOWER ROOMS TO RECEIVE 4'-0" H GLAZED TILE WAINSCOT, TYPICAL FOR BUILDING.

SM SRT
ARCHITECTURE ENGINEERING PLANNING
144 Fore Street/P.O. Box 618
Portland, Maine 04104
tel. (207) 772-3846
fax. (207) 772-1070

PROJECT TITLE: MAINE TURNPIKE AUTHORITY
ADMINISTRATION BUILDING
PORTLAND, MAINE
CURRENT ISSUE STATUS: ISSUED FOR BIDDING/CONSTRUCTION
7-9-07

GRAPHIC SCALE: 0" = 1"
SCALE: AS NOTED
PROJECT MANAGER: SLB
JC/DRAWN BY: TCM/TCM
A/E OF RECORD: SLB
PROJECT NO: AE220-06016
DATE: 7-9-07
SHEET TITLE: INTERIOR ELEVATIONS
SHEET No. AE220