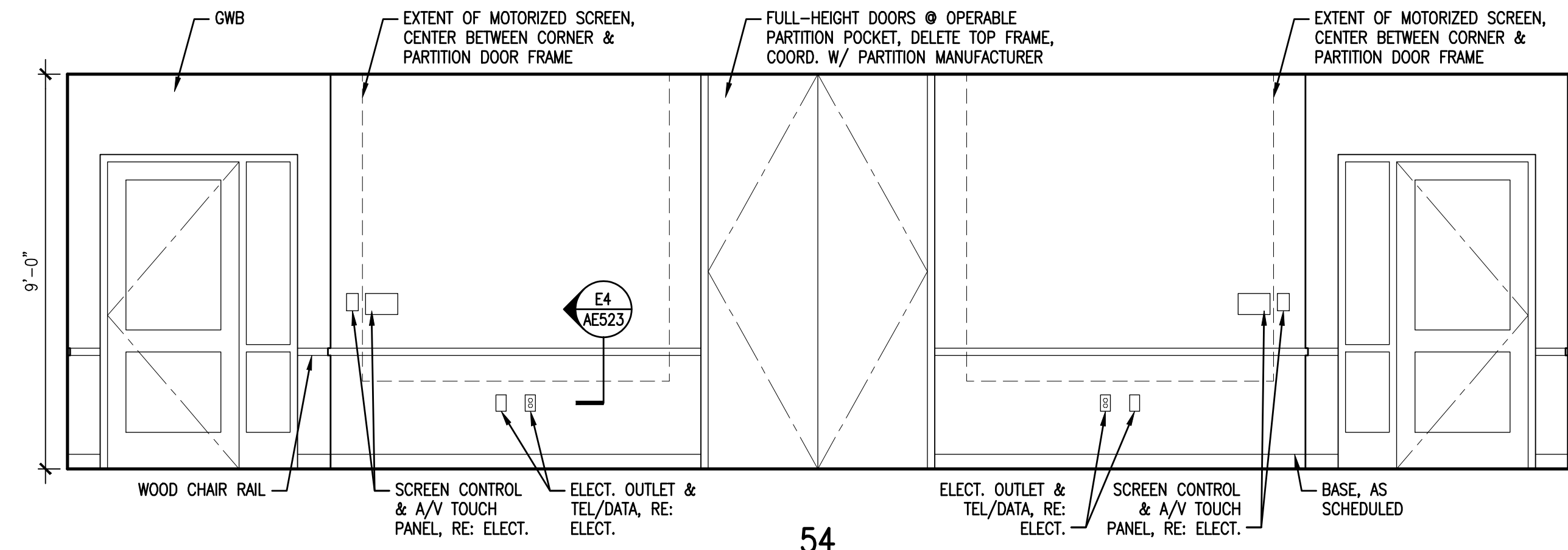


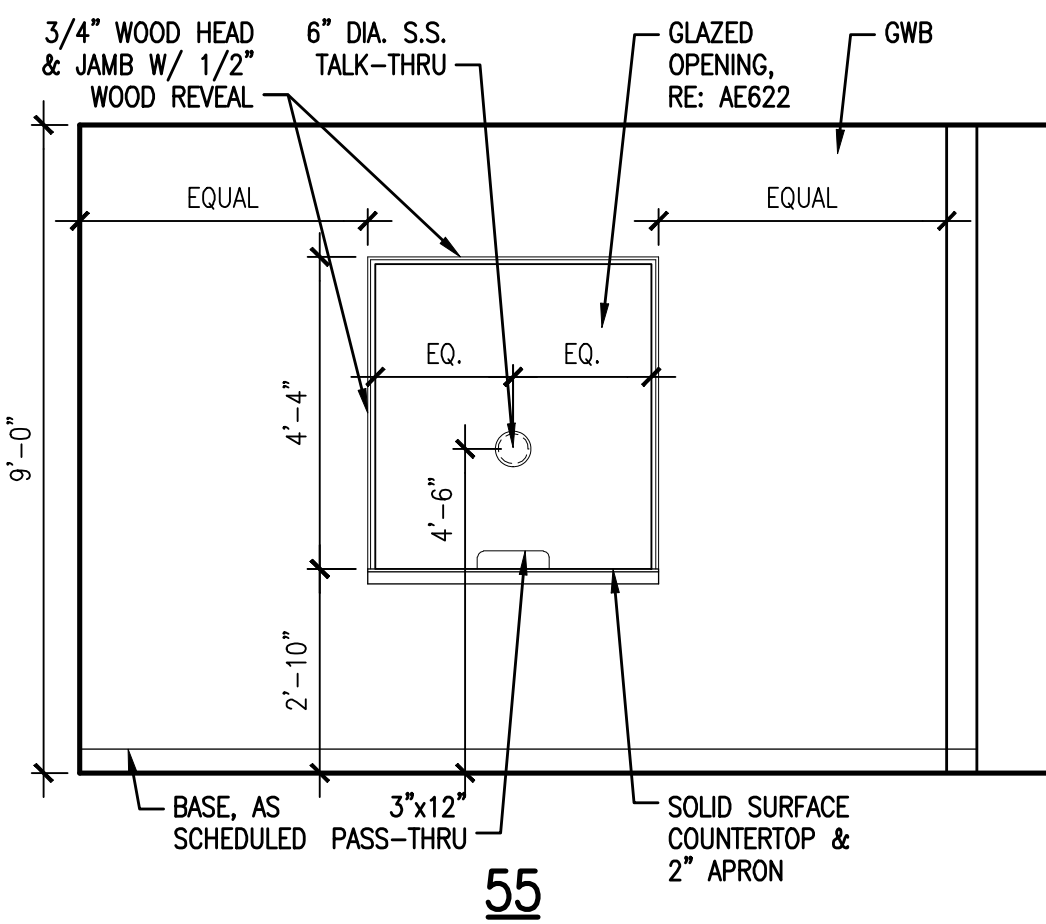
53



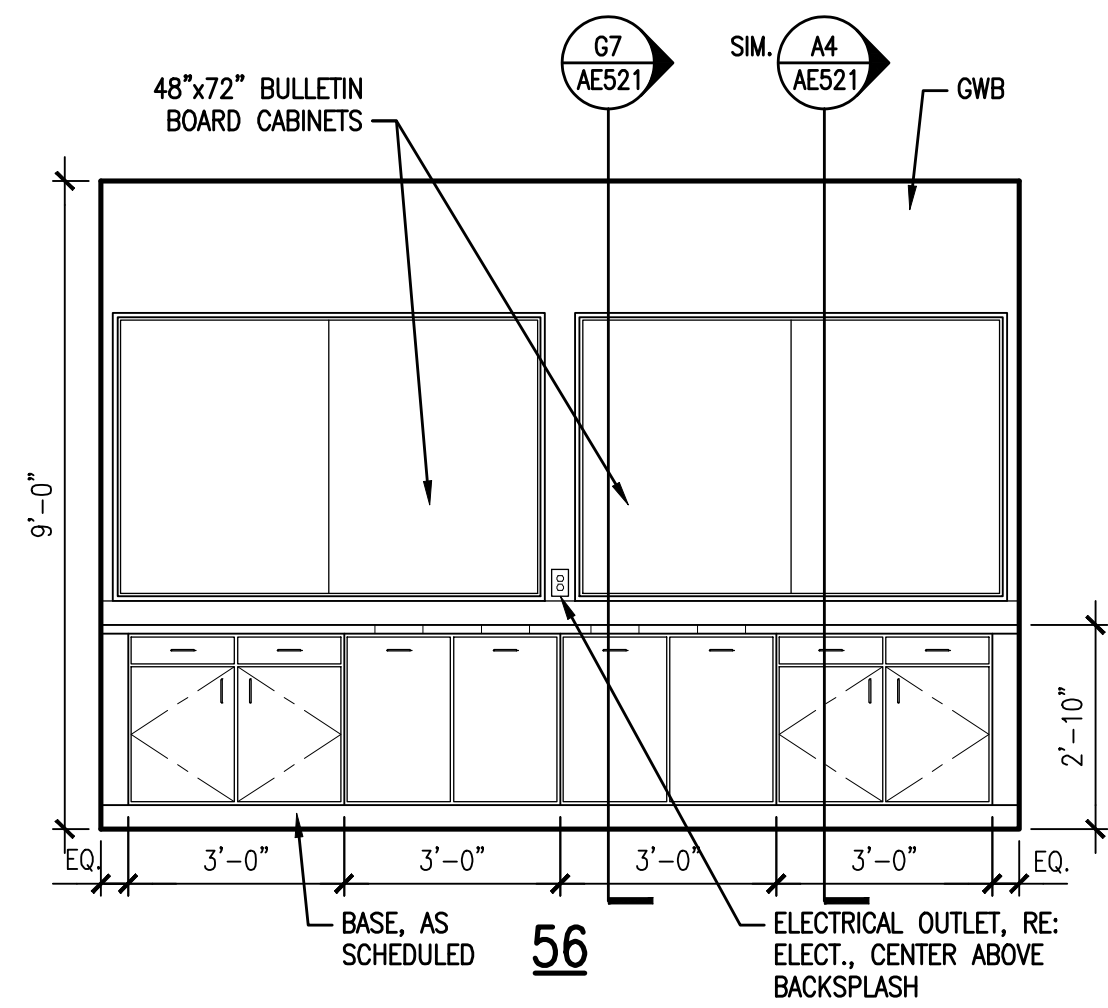
54

J1 INTERIOR ELEVATION – CONFERENCE 229 & 230

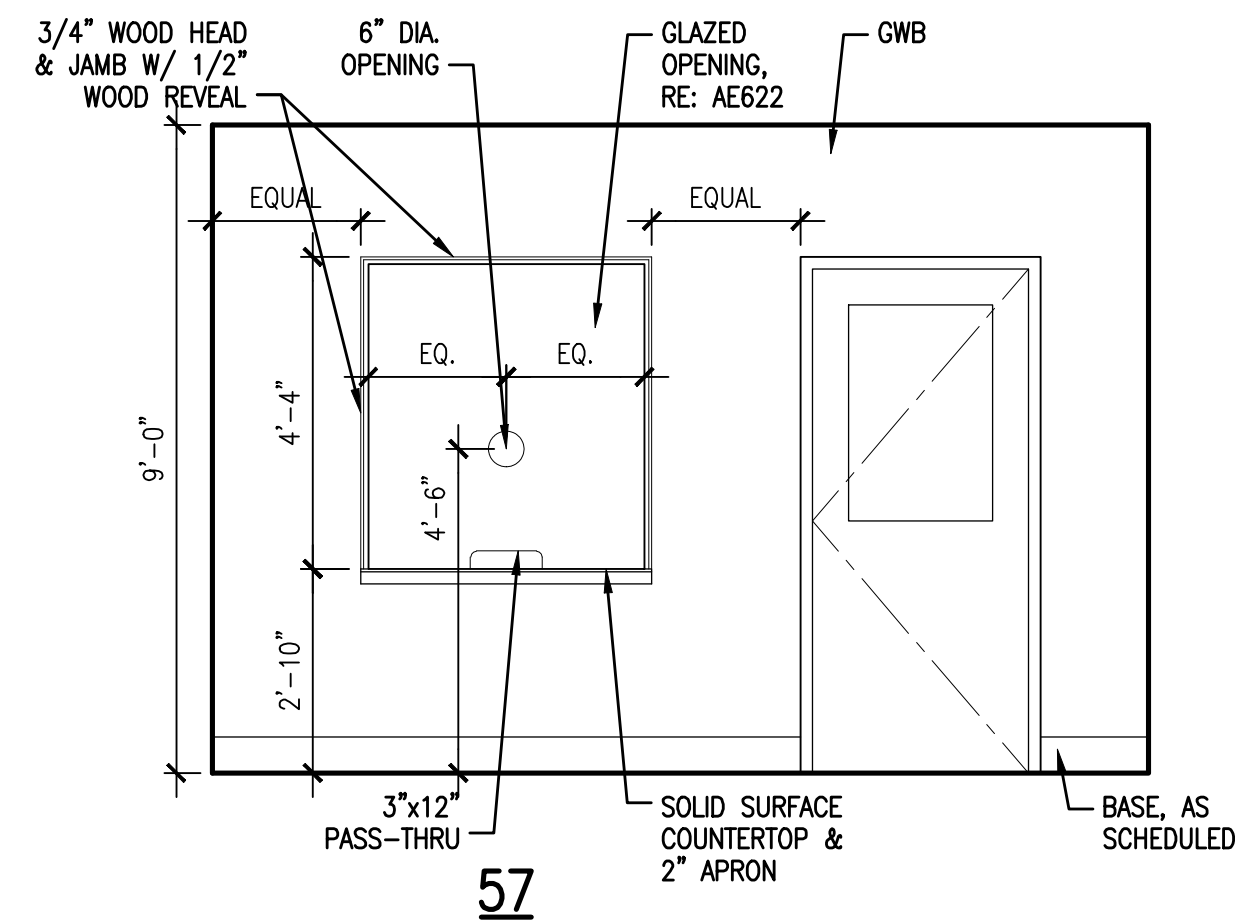
3/8" = 1'-0"



55



56



57

GENERAL NOTES:

- 1. SEE G1001 FOR PROJECT GENERAL NOTES.

E1 INTERIOR ELEVATION – WAITING 129

3/8" = 1'-0"

E5 INTERIOR ELEVATION – VENDING 155

3/8" = 1'-0"

E9 INTERIOR ELEVATION – WAITING 330

3/8" = 1'-0"

A1

REV	DESCRIPTION	DATE
0	BIDDING/CONSTRUCTION	7-9-07