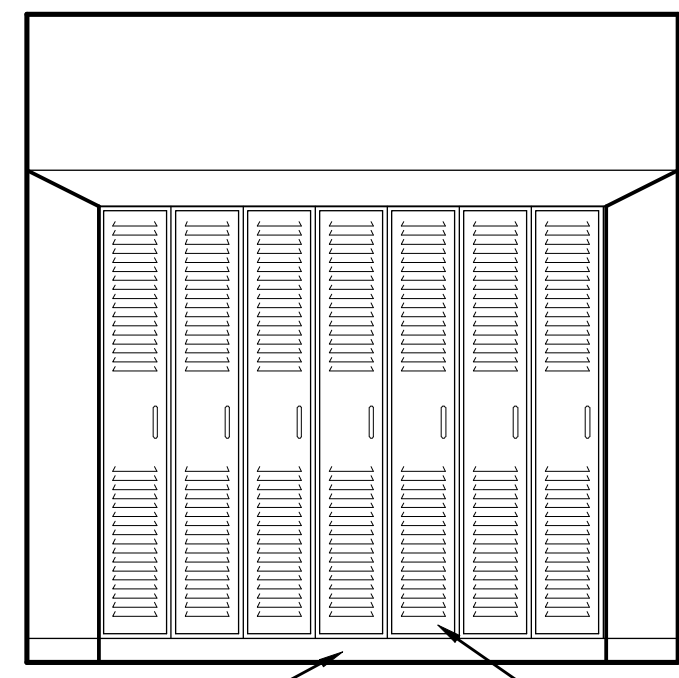
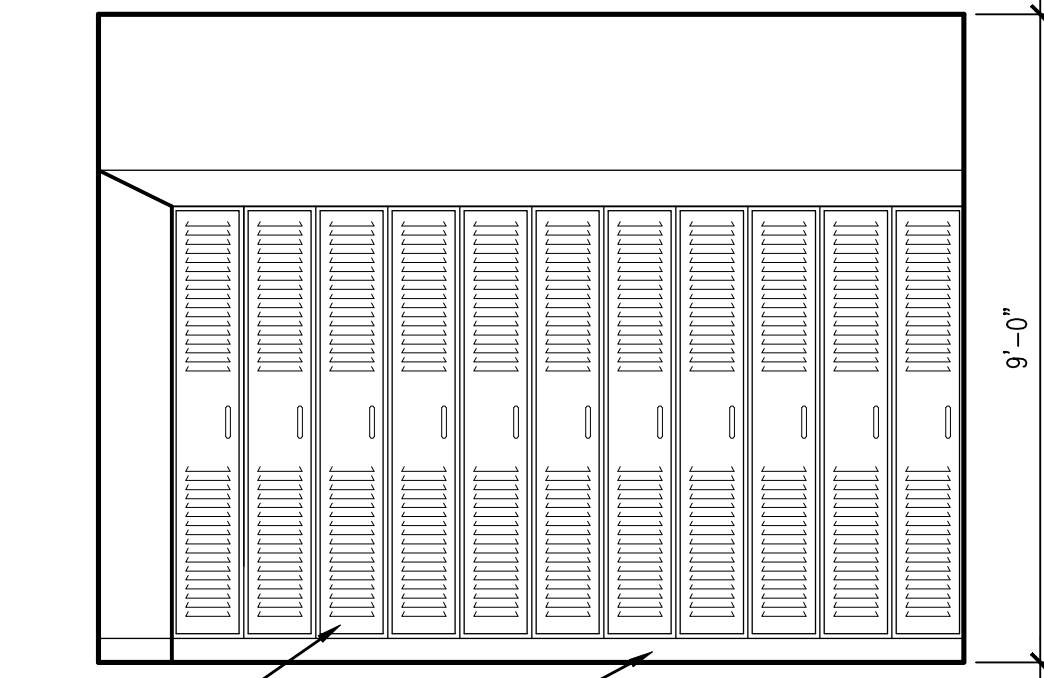


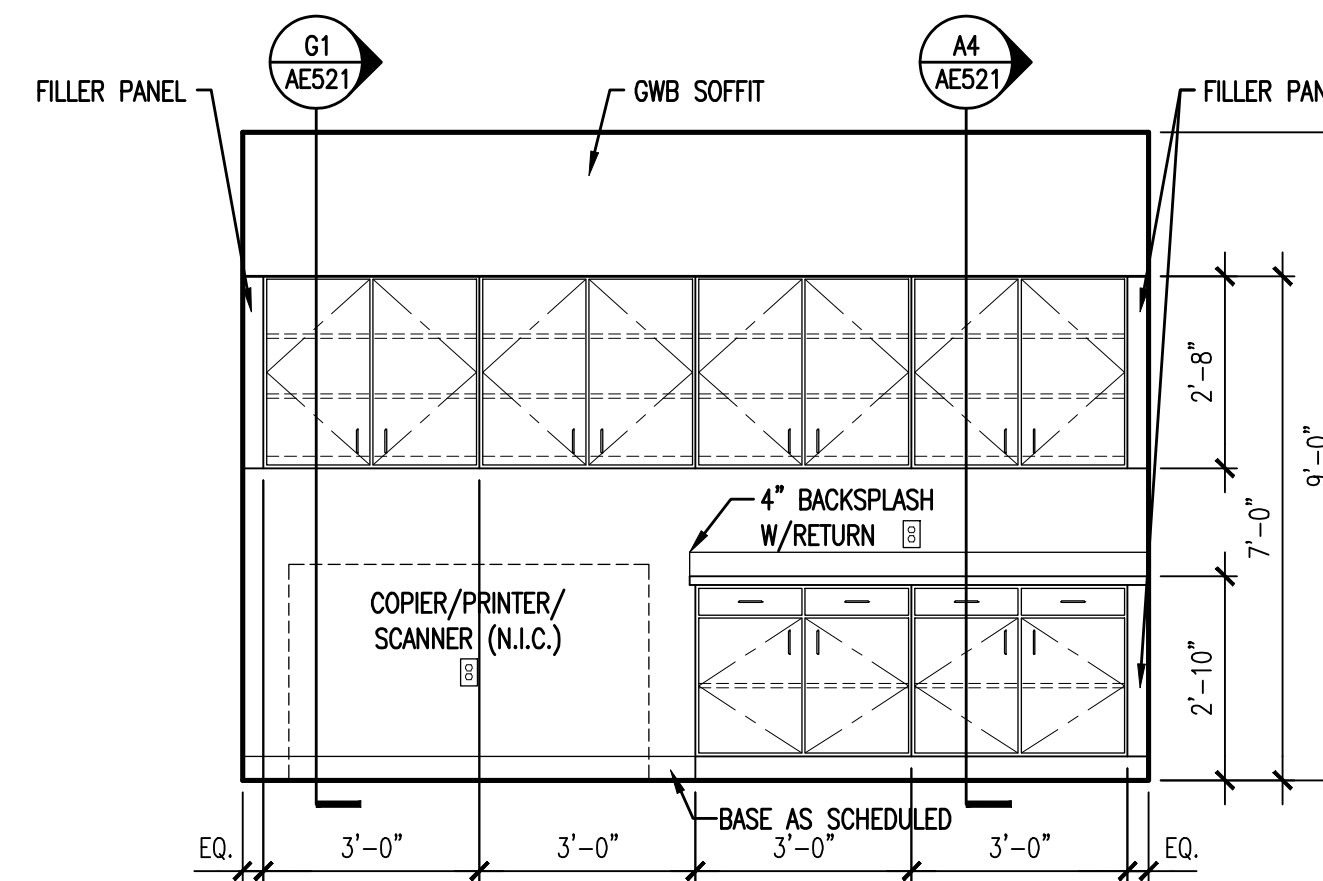
43



44



45



46

GENERAL NOTES:

1. SEE G101 FOR PROJECT GENERAL NOTES.

**SM
SRT**

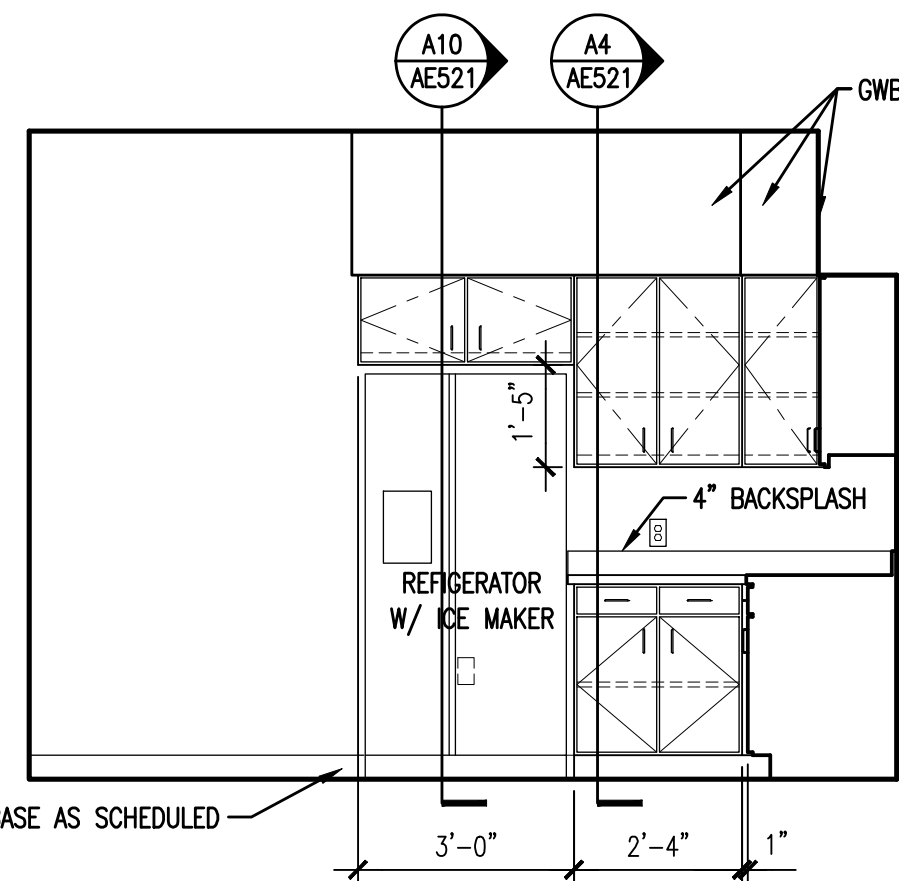
ARCHITECTURE ENGINEERING PLANNING
 SWRT
 144 Fore Street/P.O. Box 618
 Portland, Maine 04104
 tel. (207) 772-3846
 fax. (207) 772-1070

J1 INTERIOR ELEVATION – LOCKERS 139

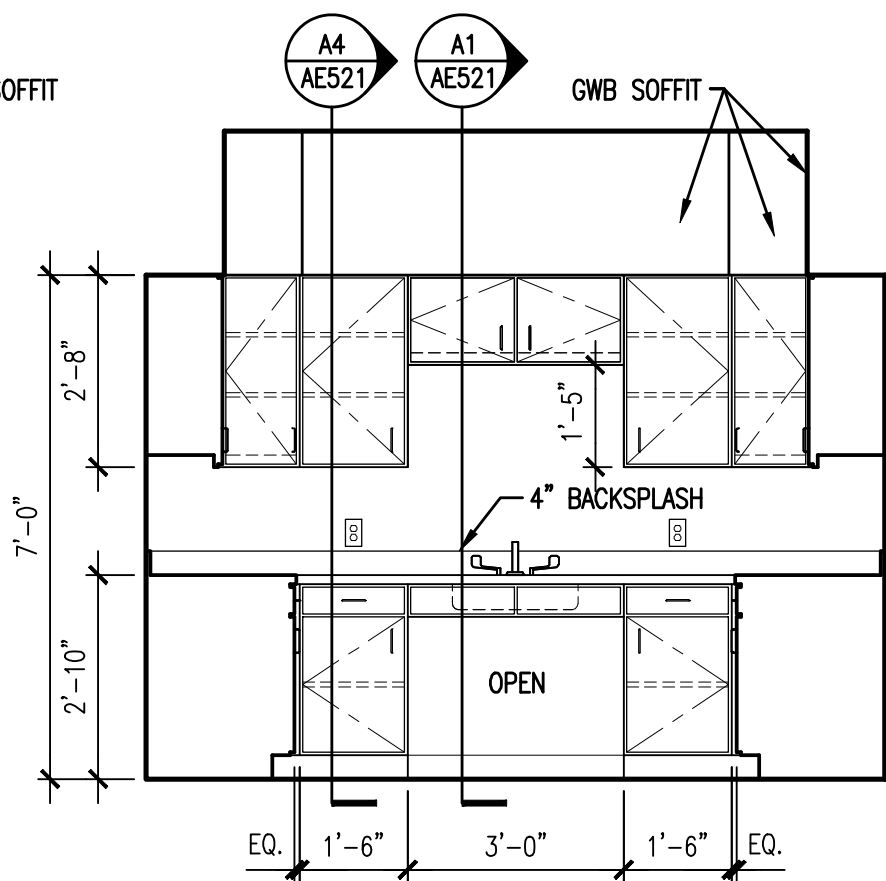
3/8" = 1'-0"

J9 INTERIOR ELEVATION – C.S. 219

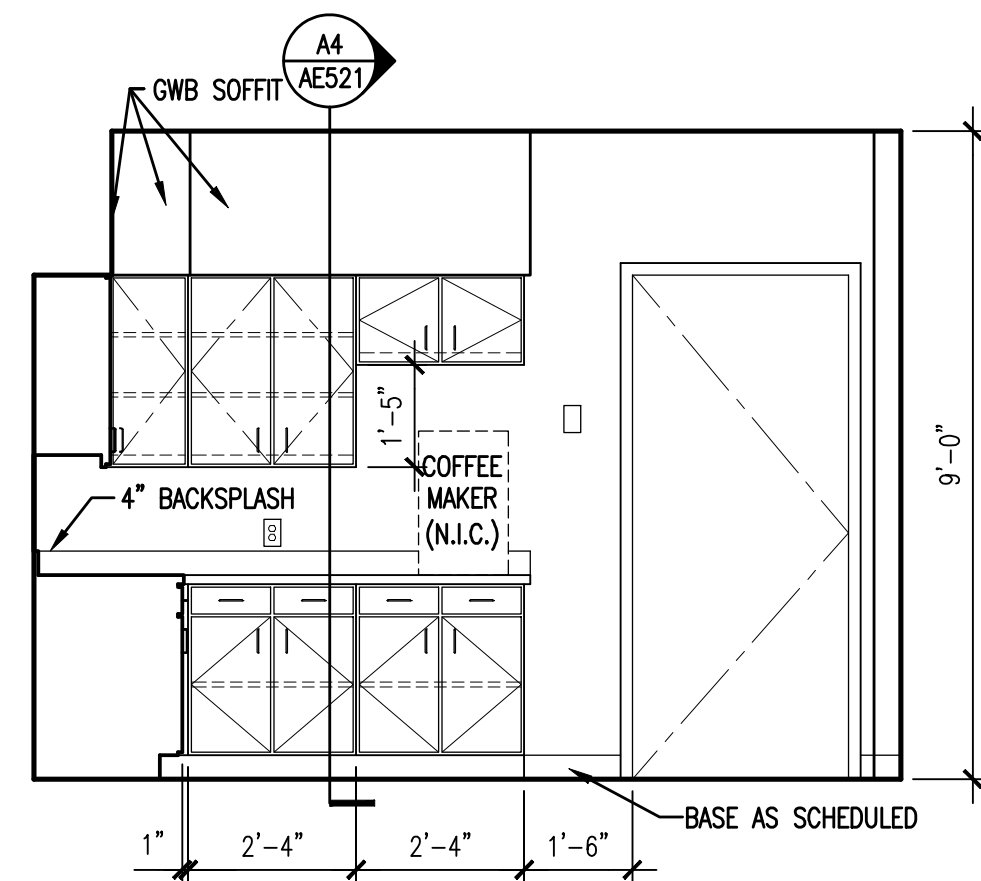
3/8" = 1'-0"



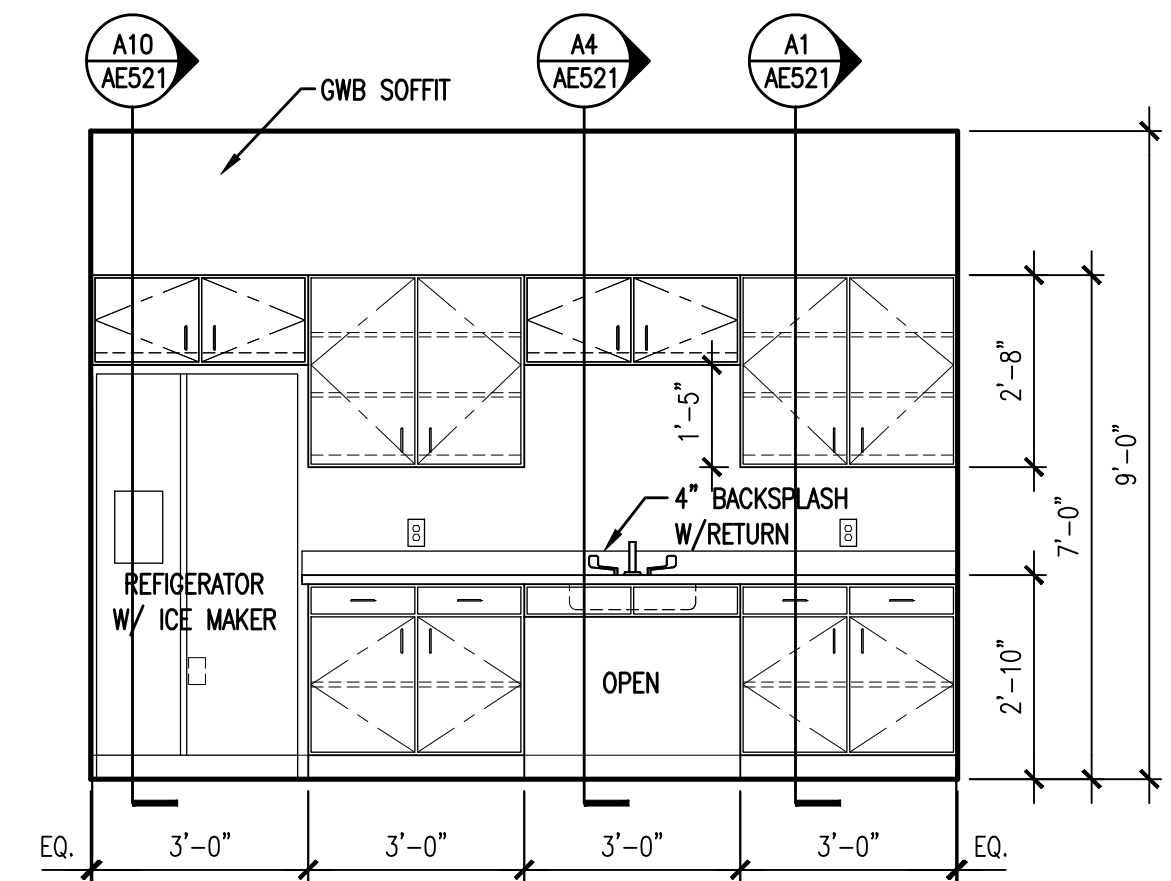
47



48



49



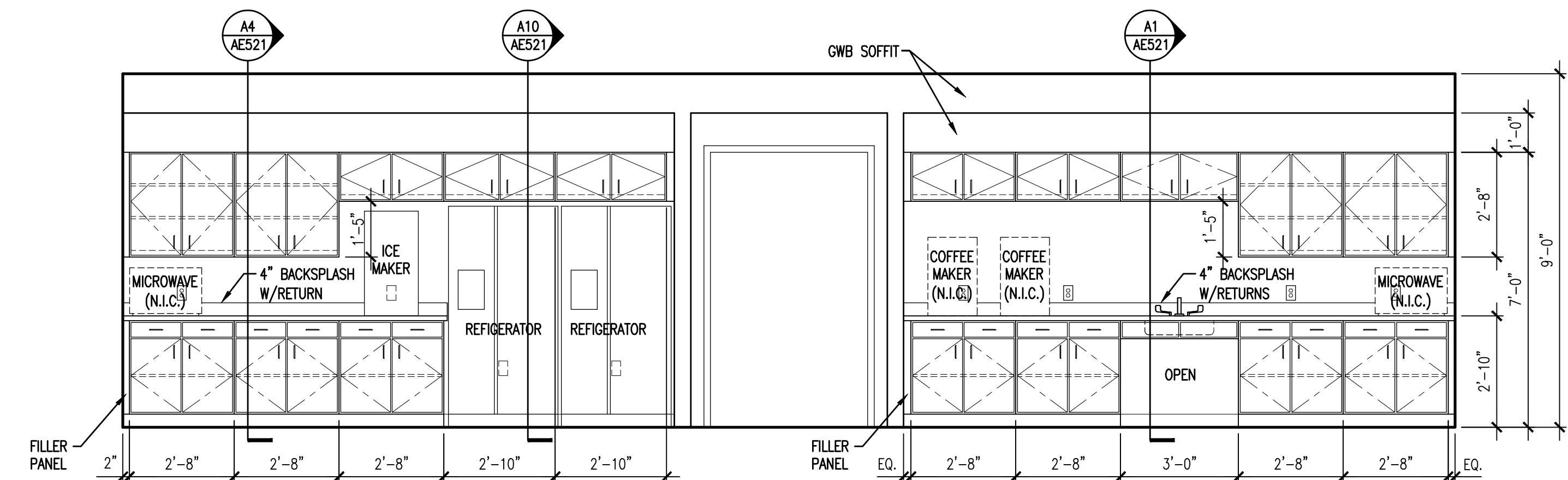
50

E1 INTERIOR ELEVATION – KITCHEN 314

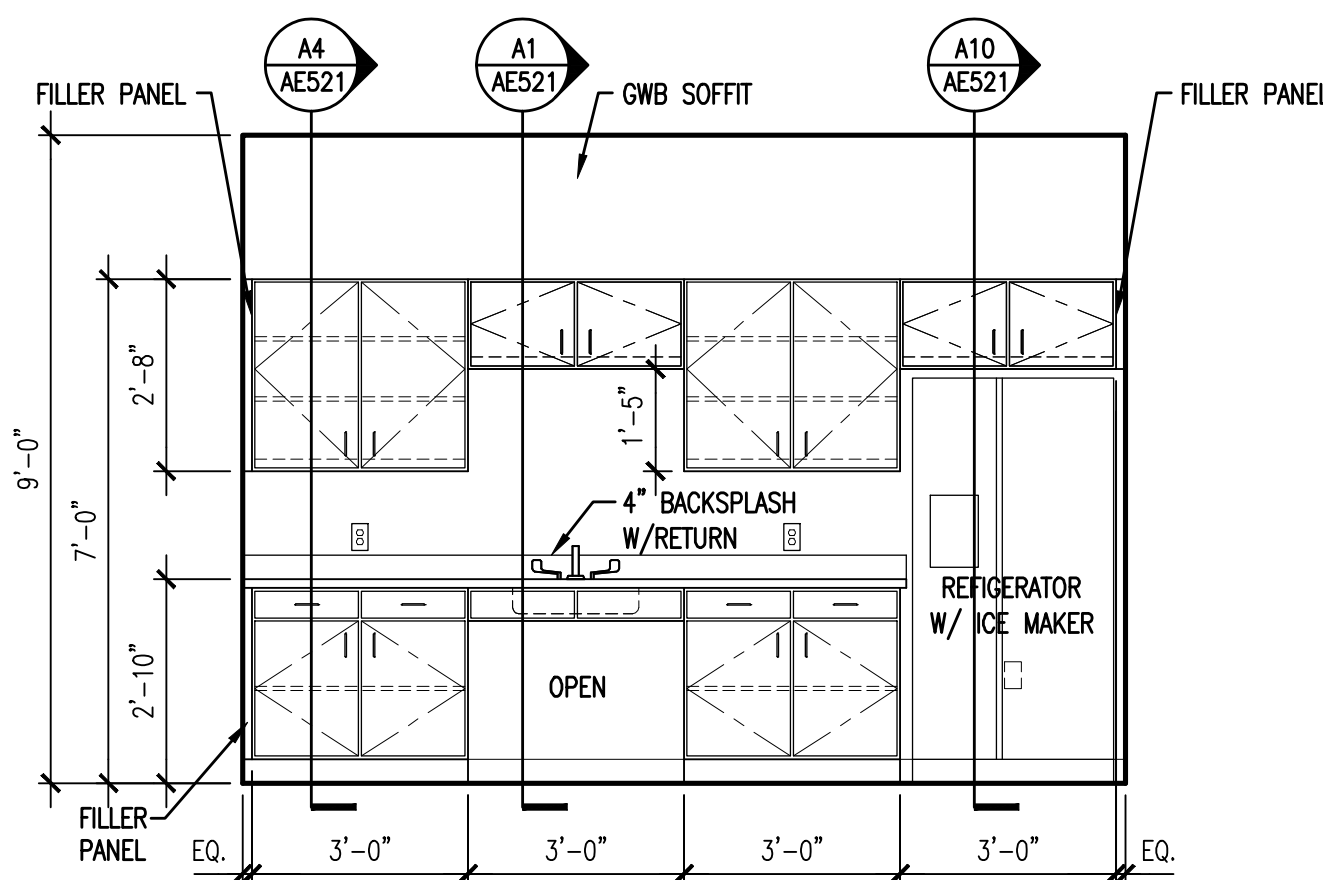
3/8" = 1'-0"

E9 INTERIOR ELEVATION – BREAK ROOM 138

3/8" = 1'-0"



51



52

A1 INTERIOR ELEVATION – BREAK ROOM 154

3/8" = 1'-0"

A9 INTERIOR ELEVATION – KITCHEN 235

3/8" = 1'-0"

PROJECT TITLE:
**MAINE TURNPIKE AUTHORITY
 ADMINISTRATION BUILDING**
 PORTLAND, MAINE

CURRENT ISSUE STATUS:
ISSUED FOR BIDDING/CONSTRUCTION
 7-9-07

REV	DESCRIPTION	DATE
0	BIDDING/CONSTRUCTION	7-9-07

GRAPHIC SCALE:
 0" 1"

SCALE: AS NOTED
 PROJECT MANAGER: SLB
 JC/DRAWN BY: TCM/TCM
 A/E OF RECORD: SLB
 CAD FILE: AE218-06016
 PROJECT NO: 06016
 DATE: 7-9-07
 SHEET TITLE:
INTERIOR ELEVATIONS
 SHEET No. **AE218**
 © COPYRIGHT 2007 SWRT SRT INC.