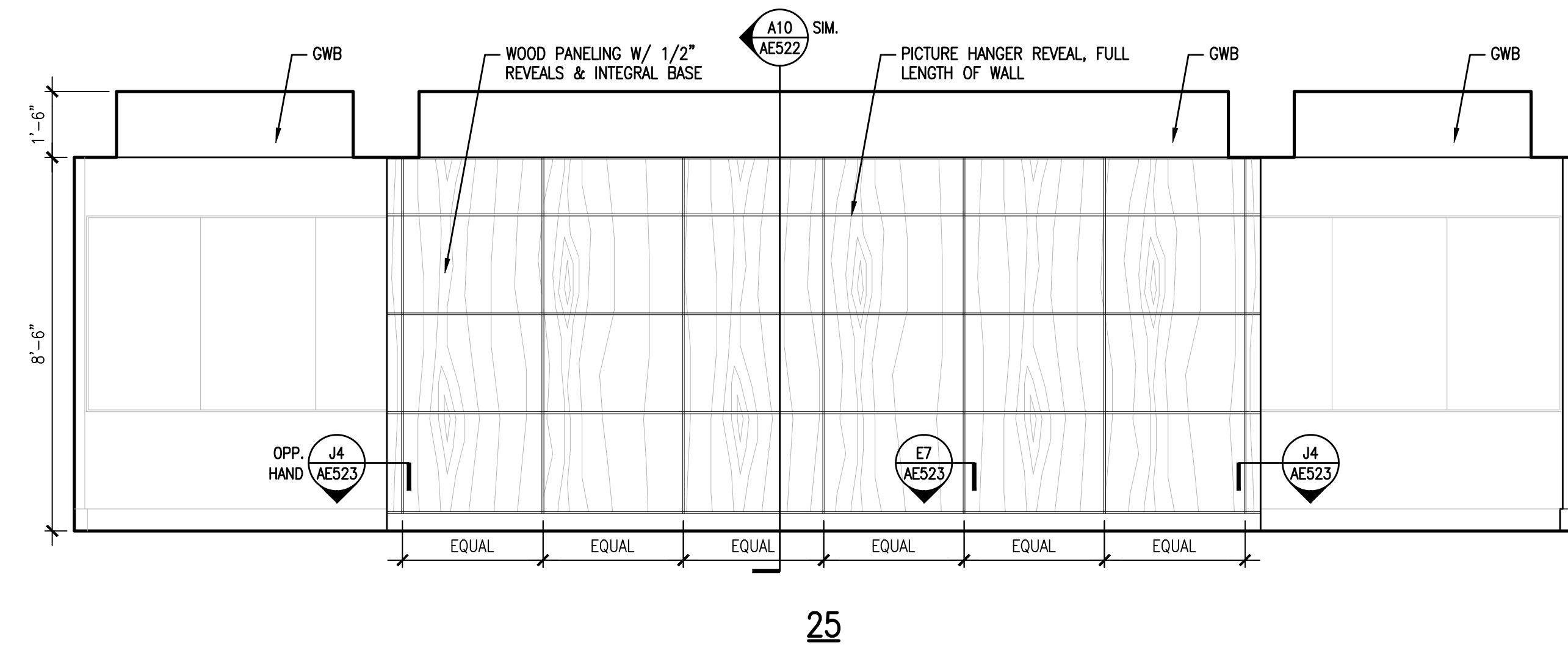


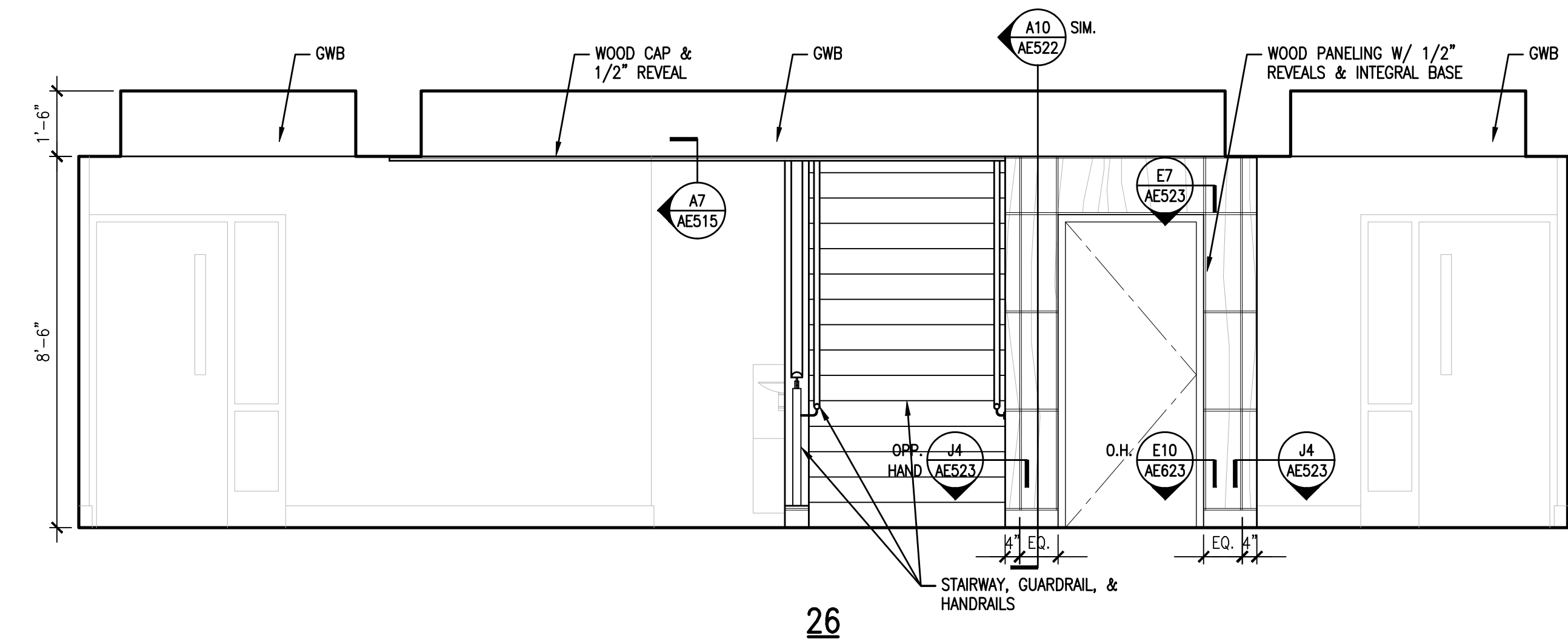
J1 INTERIOR ELEVATION – HALL 201a

3/8" = 1'-0"



E1 INTERIOR ELEVATION – HALL 201b

3/8" = 1'-0"



E8 INTERIOR ELEVATION – HALL 201a

3/8" = 1'-0"

GENERAL NOTES:

- SEE 61001 FOR PROJECT GENERAL NOTES.
- PANELS ARE DIMENSIONED TO BOTTOM OF JOINT. TYPICAL PANEL JOINT DIM. IS 1/2"

A1 INTERIOR ELEVATION – ELEVATOR

3/8" = 1'-0"