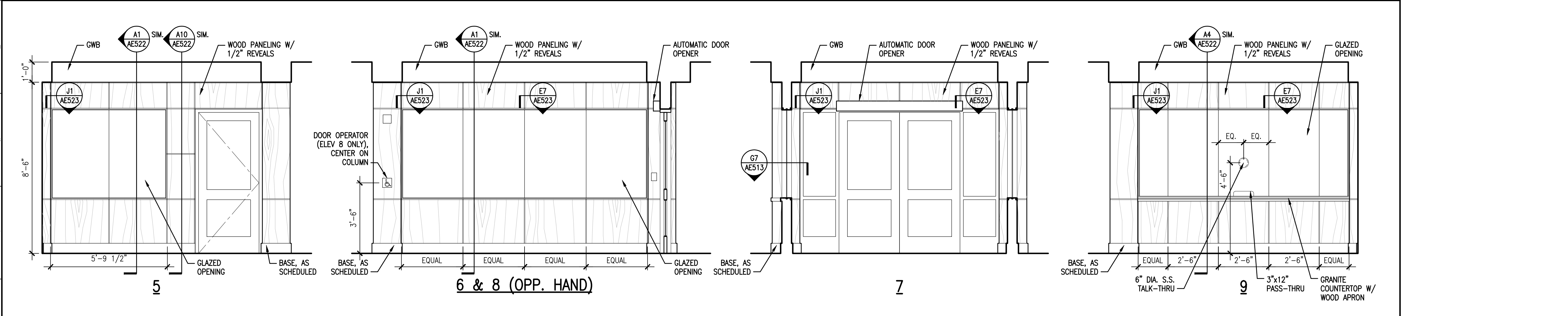


J1 INTERIOR ELEVATION – LOBBY 210 & WAITING 214/215

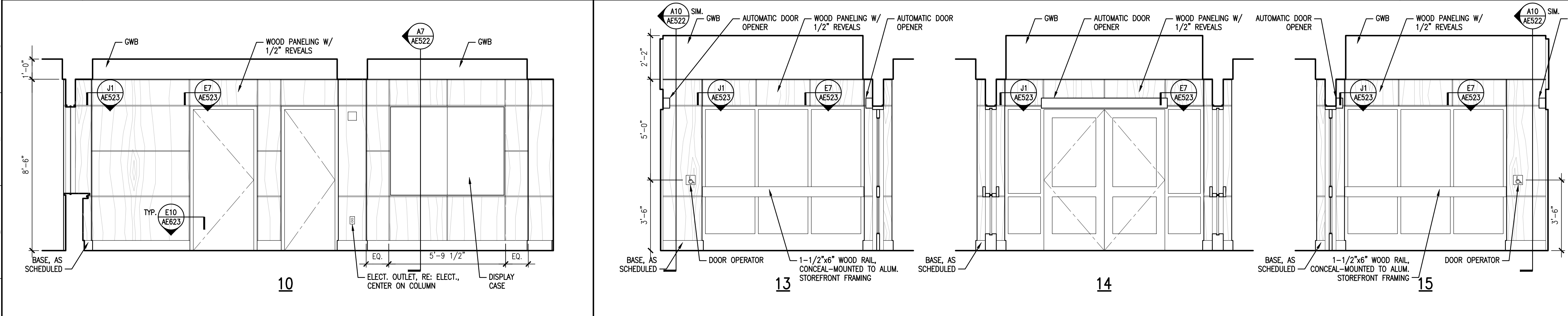
3/8" = 1'-0"

GENERAL NOTES:
1. SEE G1001 FOR PROJECT GENERAL NOTES.



E1 INTERIOR ELEVATION – LOBBY 210

3/8" = 1'-0"



A1 INTERIOR ELEVATION – LOBBY 210 & WAITING 214

3/8" = 1'-0"

A6 INTERIOR ELEVATION – VESTIBULE 211

3/8" = 1'-0"

PROJECT TITLE:
**MAINE TURNPIKE AUTHORITY
ADMINISTRATION BUILDING**
PORTLAND, MAINE

CURRENT ISSUE STATUS:
ISSUED FOR BIDDING/CONSTRUCTION
7-9-07

REV	DESCRIPTION	DATE
0	BIDDING/CONSTRUCTION	7-9-07

GRAPHIC SCALE:
0" = 1"

SCALE: AS NOTED
PROJECT MANAGER: SLB
JC/DRAWN BY: TCM/DG
A/E OF RECORD: SLB
CAD FILE: AE211-06016
PROJECT NO: 06016
DATE: 7-9-07

SHEET TITLE:
INTERIOR ELEVATIONS

SHEET No.
AE211