

BASEMENT LEVEL DOOR SCHEDULE

DOOR NUMBER	SIZE	THICKNESS	DOOR MATERIAL	ELEVATION	GLAZING	FRAME			FIRE RATING (MIN.)	HWS	REMARKS
						HEAD	JAMB	SILL			
001	3'-0"x7'-0"	1-3/4"	HM	F		L5/AE602	MB/AE602		45	1	001
002	3'-0"x7'-0"	1-3/4"	HM	F		L5/AE602	MB/AE602		45	3	002
003	3'-0"x7'-0"	1-3/4"	HM	F		L5/AE602	MB/AE602		45	1	003
004	3'-0"x7'-0"	1-3/4"	HM	NL	WIRE	L5/AE602	MB/AE602		60	2	004
005	3'-0"x7'-0"	1-3/4"	HM	F		L5/AE602	MB/AE602		45	1	005
006	3'-0"x7'-0"	1-3/4"	HM	F		L5/AE602	MB/AE602		45	3	006
007	NOT USED										007
008	3'-0"x7'-0"	1-3/4"	HM	F		L5/AE602	MB/AE602		45	4	008
009	3'-0"x7'-0"	1-3/4"	HM	F		L5/AE602	MB/AE602		45	4	009
010	3'-0"x7'-0"	1-3/4"	HM	F		L5/AE602	MB/AE602		45	4	010
011	3'-0"x7'-0"	1-3/4"	HM	F		L5/AE602	MB/AE602		45	4	011
012a	3'-0"x7'-0"	1-3/4"	HM	F		L5/AE602	MB/AE602		45	3	012a
012b	3'-0"x7'-0"	1-3/4"	HM	F		L5/AE602	MB/AE602		45	4	012b
013	3'-0"x7'-0"	1-3/4"	HM	NL	WIRE	L5/AE602	MB/AE602		45	4	013
014	3'-0"x7'-0"	1-3/4"	HM	F		L5/AE602	MB/AE602		60	2	014
015	3'-0"x7'-0"	1-3/4"	HM	F		L5/AE602	MB/AE602		45	3	015
016	3'-0"x7'-0"	1-3/4"	HM	F		L5/AE602	MB/AE602		45	3	016
017	3'-0"x7'-0"	1-3/4"	HM	F		L5/AE602	MB/AE602		45	5	017
018	3'-0"x7'-0"	1-3/4"	HM	F		L5/AE602	MB/AE602		45	5	018

FIRST FLOOR DOOR SCHEDULE

DOOR NUMBER	SIZE	THICKNESS	DOOR MATERIAL	ELEVATION	GLAZING	FRAME			FIRE RATING (MIN.)	HWS	REMARKS
						HEAD	JAMB	SILL			
101	3'-0"x7'-0"	1-3/4"	WD	ST-1	TEMP / INS	L3/AE602	L1/AE602		6	6	101
102	3'-0"x7'-0"	1-3/4"	WD	ST-1	TEMP / INS	L3/AE602	L1/AE602		7	7	102
103	3'-0"x7'-0"	1-3/4"	WD	F	TEMP / INS	L3/AE602	L1/AE602		8	8	103
104	3'-0"x7'-0"	1-3/4"	WD	F	TEMP / INS	L3/AE602	L1/AE602		8	8	104
105	3'-0"x7'-0"	1-3/4"	WD	FL	TEMP / INS	L3/AE602	L1/AE602		9	9	105
106	3'-0"x7'-0"	1-3/4"	WD	FL	TEMP / INS	L3/AE602	L1/AE602		10	10	106
107	3'-0"x7'-0"	1-3/4"	WD	HG	TEMP / INS	L3/AE602	L1/AE602		11	11	107
108a	3'-0"x7'-0"	1-3/4"	HM	NL	WIRE	L3/AE602	MB/AE602		60	108a	108a
108b	3'-0"x7'-0"	1-3/4"	HM	NL	WIRE	L3/AE602	MB/AE602		10	108b	108b
109	3'-0"x7'-0"	1-3/4"	WD	HG	TEMP / INS	L3/AE602	L1/AE602		9	9	109
110a	3'-0"x7'-0"	1-3/4"	WD	FL	TEMP / INS	L3/AE602	L1/AE602		13	13	110a
110b	3'-0"x7'-0"	1-3/4"	WD	FL	TEMP / INS	L3/AE602	L1/AE602		14	14	110b
110c	3'-0"x7'-0"	1-3/4"	WD	FL	TEMP / INS	L3/AE602	L1/AE602		*	110c	*SEE SPEC FOR HINGING/HARDWARE
111	3'-0"x7'-0"	1-3/4"	WD	F	TEMP / INS	L3/AE602	L1/AE602		4	45	111
112	3'-0"x7'-0"	1-3/4"	WD	F	TEMP / INS	L3/AE602	L1/AE602		6	112	112
113	3'-0"x7'-0"	1-3/4"	WD	FL	TEMP / INS	L3/AE602	L1/AE602		12	113	113
114	3'-0"x7'-0"	1-3/4"	WD	FL	TEMP / INS	L3/AE602	L1/AE602		12	114	114
115a	3'-0"x7'-0"	1-3/4"	HM	NL	WIRE	L3/AE602	L1/AE602		2	115a	115a
115b	3'-0"x7'-0"	1-3/4"	HM	NL	WIRE	L3/AE602	L1/AE602		10	115b	115b
116	3'-0"x7'-0"	1-3/4"	WD	F	TEMP / INS	L3/AE602	L1/AE602		12	116	116
117	3'-0"x7'-0"	1-3/4"	WD	F	TEMP / INS	L3/AE602	L1/AE602		12	117	117
118	3'-0"x4'-0"	1-3/8"	WD	LOUVER		L3/AE602	L1/AE602		15	118	118
119	3'-0"x4'-0"	1-3/8"	WD	LOUVER		L3/AE602	L1/AE602		15	119	119
120	3'-0"x7'-0"	1-3/4"	WD	FL	TEMP / INS	L3/AE602	L1/AE602		14	120	120

SECOND FLOOR DOOR SCHEDULE

DOOR NUMBER	SIZE	THICKNESS	DOOR MATERIAL	ELEVATION	GLAZING	FRAME			FIRE RATING (MIN.)	HWS	REMARKS
						HEAD	JAMB	SILL			
201	NOT USED										201
202	3'-0"x7'-0"	1-3/4"	WD	FL/SL	TEMP	L3/AE602	L1/AE602		12	12	202
203	3'-0"x7'-0"	1-3/4"	WD	F	TEMP	L3/AE602	L1/AE602		3	45	203
204	3'-0"x7'-0"	1-3/4"	WD	F	TEMP	L3/AE602	L1/AE602		5	204	204
205	3'-0"x7'-0"	1-3/4"	WD	F	TEMP	L3/AE602	L1/AE602		5	205	205
206	3'-0"x7'-0"	1-3/4"	WD	HG	TEMP	L3/AE602	L1/AE602		16	206	206
207	3'-0"x7'-0"	1-3/4"	WD	HG	TEMP	L3/AE602	L1/AE602		16	207	207
208	3'-0"x7'-0"	1-3/4"	WD	FL/SL	TEMP	L3/AE602	L1/AE602		12	208	208
209a	3'-0"x7'-0"	1-3/4"	WD	HG	TEMP	L3/AE602	L1/AE602		16	209a	209a
209b	3'-0"x7'-0"	1-3/4"	WD	F	TEMP	L3/AE602	L1/AE602		16	209b	209b
210	3'-0"x7'-0"	1-3/4"	WD	FL	TEMP	L3/AE602	L1/AE602		16	210	210
211	3'-0"x7'-0"	1-3/4"	WD	NL	TEMP	L3/AE602	L1/AE602		2	60	211
212	3'-0"x7'-0"	1-3/4"	WD	F	TEMP	L3/AE602	L1/AE602		12	45	212
213	3'-0"x7'-0"	1-3/4"	WD	HG	TEMP	L3/AE602	L1/AE602		16	213	213
214	3'-0"x7'-0"	1-3/4"	WD	HG	TEMP	L3/AE602	L1/AE602		16	214	214
216	3'-0"x7'-0"	1-3/4"	WD	NL	TEMP	L3/AE602	L1/AE602		2	60	216
217	3'-0"x7'-0"	1-3/4"	WD	HG	TEMP	L3/AE602	L1/AE602		16	217	217

M8 JAMB DETAIL



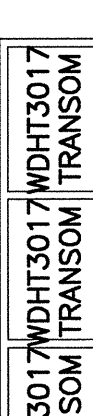
L5 HEAD DETAIL



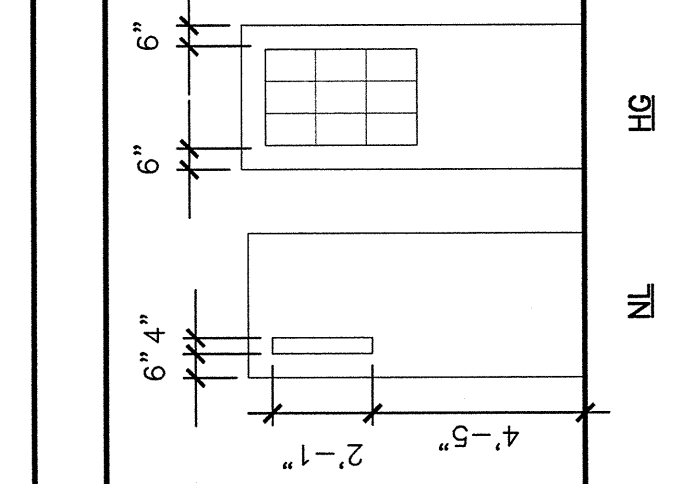
L3 HEAD DETAIL



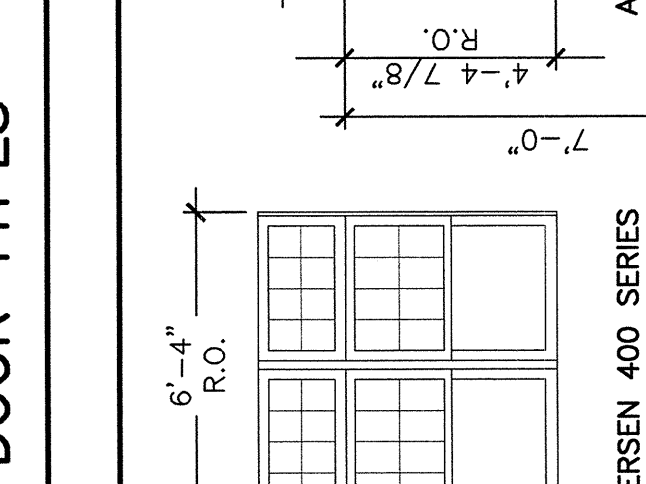
L1 JAMB DETAIL



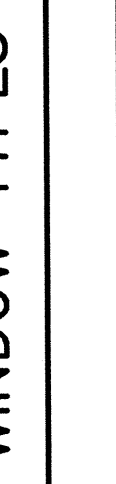
J1 FRAME TYPES



F1 DOOR TYPES



A1 WINDOW TYPES



BASEMENT LEVEL DOOR SCHEDULE

DOOR NUMBER	SIZE	THICKNESS	DOOR MATERIAL	ELEVATION	GLAZING	FRAME HEAD	FRAME JAMB	FRAME SILL	FIRE RATING (MIN.)	HWS	REMARKS
001	3'-0"x7'-0"	1-3/4"	HM	F		L5/AE602	MB/AE602		45	1	001
002	3'-0"x7'-0"	1-3/4"	HM	F		L5/AE602	MB/AE602		45	3	002
003	3'-0"x7'-0"	1-3/4"	HM	F		L5/AE602	MB/AE602		45	1	003
004	3'-0"x7'-0"	1-3/4"	HM	NL	WIRE	L5/AE602	MB/AE602		60	2	004
005	3'-0"x7'-0"	1-3/4"	HM	F		L5/AE602	MB/AE602		45	1	005
006	3'-0"x7'-0"	1-3/4"	HM	F		L5/AE602	MB/AE602		45	3	006
007	NOT USED										007
008	3'-0"x7'-0"	1-3/4"	HM	F		L5/AE602	MB/AE602		45	4	008
009	3'-0"x7'-0"	1-3/4"	HM	F		L5/AE602	MB/AE602		45	4	009
010	3'-0"x7'-0"	1-3/4"	HM	F		L5/AE602	MB/AE602		45	4	010
011	3'-0"x7'-0"	1-3/4"	HM	F		L5/AE602	MB/AE602		45	4	011
012a	3'-0"x7'-0"	1-3/4"	HM	F		L5/AE602	MB/AE602		45	3	012a
012b	3'-0"x7'-0"	1-3/4"	HM	F		L5/AE602	MB/AE602		45	4	012b
013	3'-0"x7'-0"	1-3/4"	HM	NL	WIRE	L5/AE602	MB/AE602		45	4	013
014	3'-0"x7'-0"	1-3/4"	HM	F		L5/AE602	MB/AE602		60	2	014
015	3'-0"x7'-0"	1-3/4"	HM	F		L5/AE602	MB/AE602		45	3	015
016	3'-0"x7'-0"	1-3/4"	HM	F		L5/AE602	MB/AE602		45	3	016
017	3'-0"x7'-0"	1-3/4"	HM	F		L5/AE602	MB/AE602		45	5	017
018	3'-0"x7'-0"	1-3/4"	HM	F		L5/AE602	MB/AE602		45	5	018

FIRST FLOOR DOOR SCHEDULE

DOOR NUMBER	SIZE	THICKNESS	DOOR MATERIAL	ELEVATION	GLAZING	FRAME HEAD	FRAME JAMB	FRAME SILL	FIRE RATING (MIN.)	HWS	REMARKS
101	3'-0"x7'-0"	1-3/4"	WD	ST-1	TEMP / INS	L3/AE602	L1/AE602		6	6	101
102	3'-0"x7'-0"	1-3/4"	WD	ST-1	TEMP / INS	L3/AE602	L1/AE602		7	7	102
103	3'-0"x7'-0"	1-3/4"	WD	F	TEMP / INS	L3/AE602	L1/AE602		8	8	103
104	3'-0"x7'-0"	1-3/4"	WD	F	TEMP / INS	L3/AE602	L1/AE602		8	8	104
105	3'-0"x7'-0"	1-3/4"	WD	FL	TEMP / INS	L3/AE602	L1/AE602		9	9	105
106	3'-0"x7'-0"	1-3/4"	WD	FL	TEMP / INS	L3/AE602	L1/AE602		10	10	106
107	3'-0"x7'-0"	1-3/4"	WD	HG	TEMP / INS	L3/AE602	L1/AE602		11	11	107
108a	3'-0"x7'-0"	1-3/4"	HM	NL	WIRE	L3/AE602	MB/AE602		60	108a	108a
108b	3'-0"x7'-0"	1-3/4"	HM	NL	WIRE	L3/AE602	MB/AE602		10	108b	108b
109	3'-0"x7'-0"	1-3/4"	WD	HG	TEMP / INS	L3/AE602	L1/AE602		9	9	109
110a	3'-0"x7'-0"	1-3/4"	WD	FL	TEMP / INS	L3/AE602	L1/AE602		13	13	110a
110b	3'-0"x7'-0"	1-3/4"	WD	FL	TEMP / INS	L3/AE602	L1/AE602		14	14	110b
110c	3'-0"x7'-0"	1-3/4"	WD	FL	TEMP / INS	L3/AE602	L1/AE602		*	110c	*SEE SPEC FOR HINGING/HARDWARE
111	3'-0"x7'-0"	1-3/4"	WD	F	TEMP / INS	L3/AE602	L1/AE602		4	45	111
112	3'-0"x7'-0"	1-3/4"	WD	F	TEMP / INS	L3/AE602	L1/AE602		6	112	112
113	3'-0"x7'-0"	1-3/4"	WD	FL	TEMP / INS	L3/AE602	L1/AE602		12	113	113
114	3'-0"x7'-0"	1-3/4"	WD	FL	TEMP / INS	L3/AE602	L1/AE602		12	114	114
115a	3'-0"x7'-0"	1-3/4"	HM	NL	WIRE	L3/AE602	L1/AE602		2	115a	115a
115b	3'-0"x7'-0"	1-3/4"	HM	NL	WIRE	L3/AE602	L1/AE602		10	115b	115b
116	3'-0"x7'-0"	1-3/4"	WD	F	TEMP / INS	L3/AE602	L1/AE602		12	116	116
117	3'-0"x7'-0"	1-3/4"	WD	F	TEMP / INS	L3/AE602	L1/AE602		12	117	117</