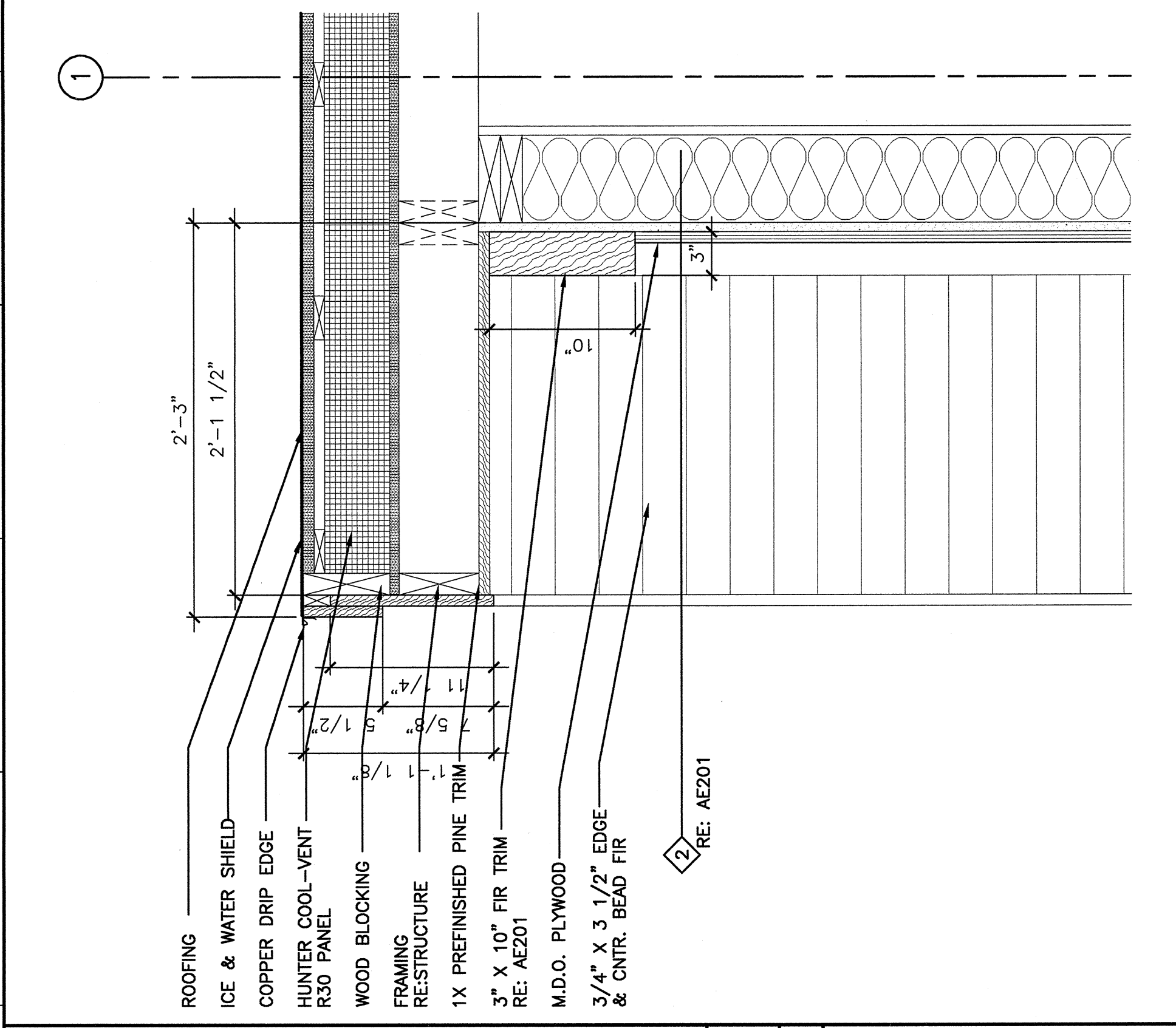
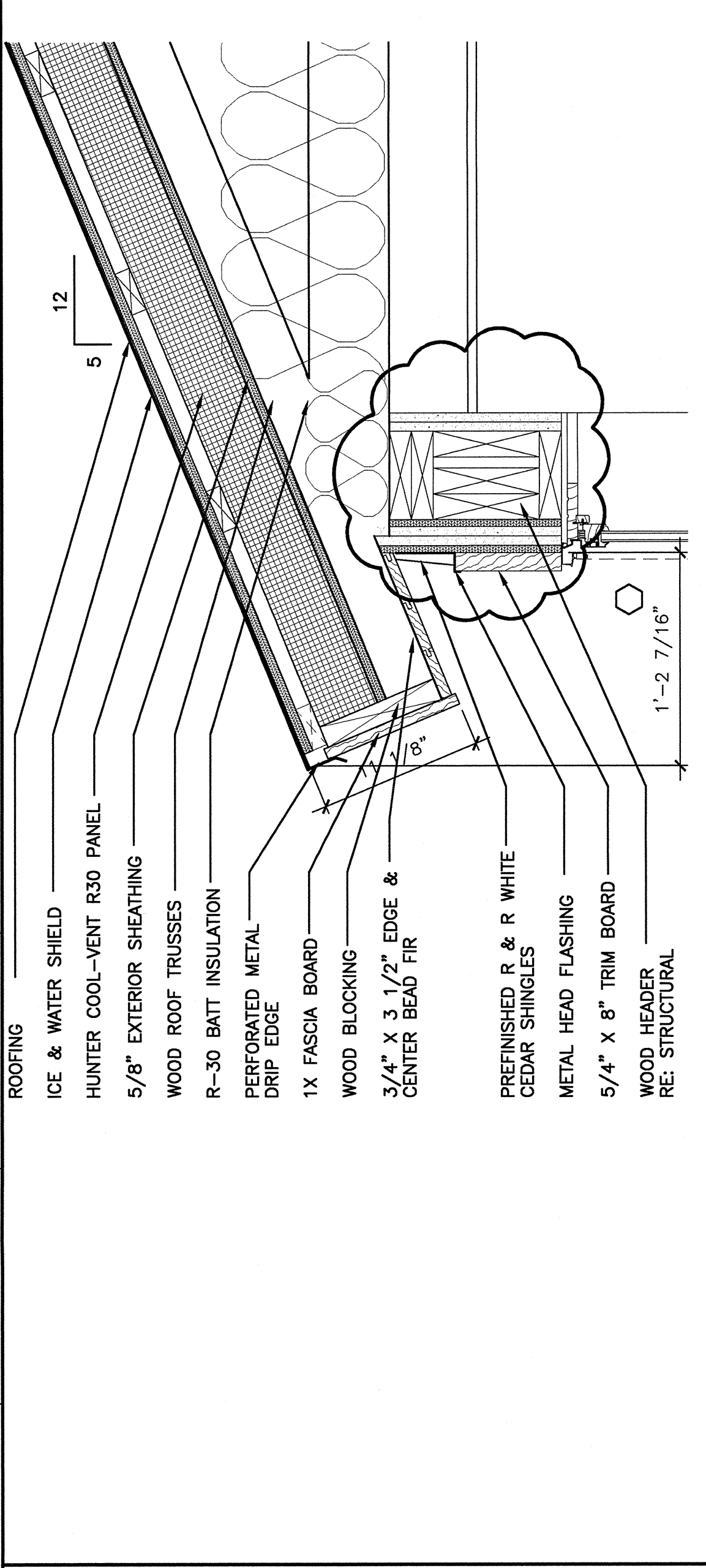


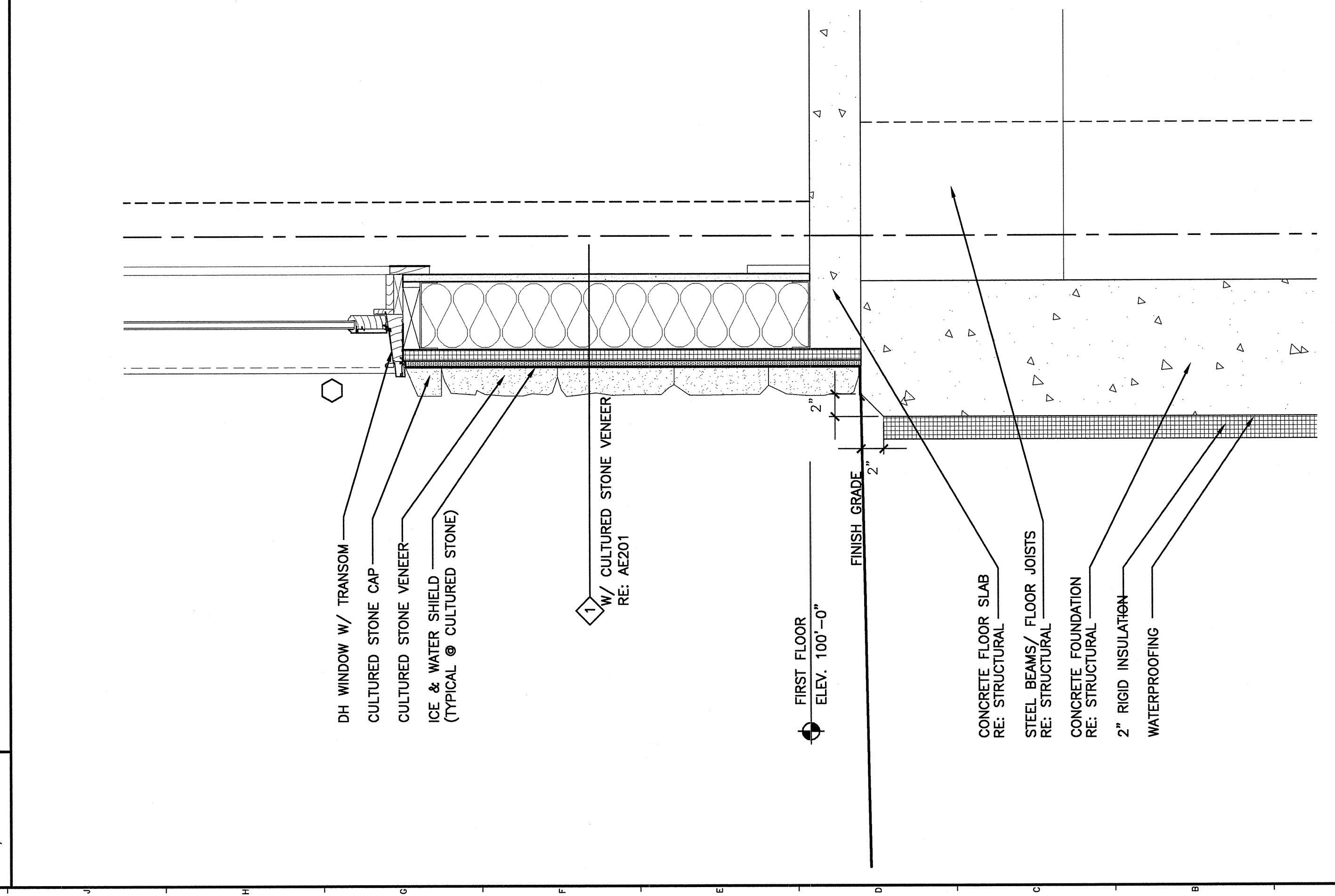
**K1 RIDGE VENT DETAIL**  
 1 1/2"=1'-0"  
 AE311



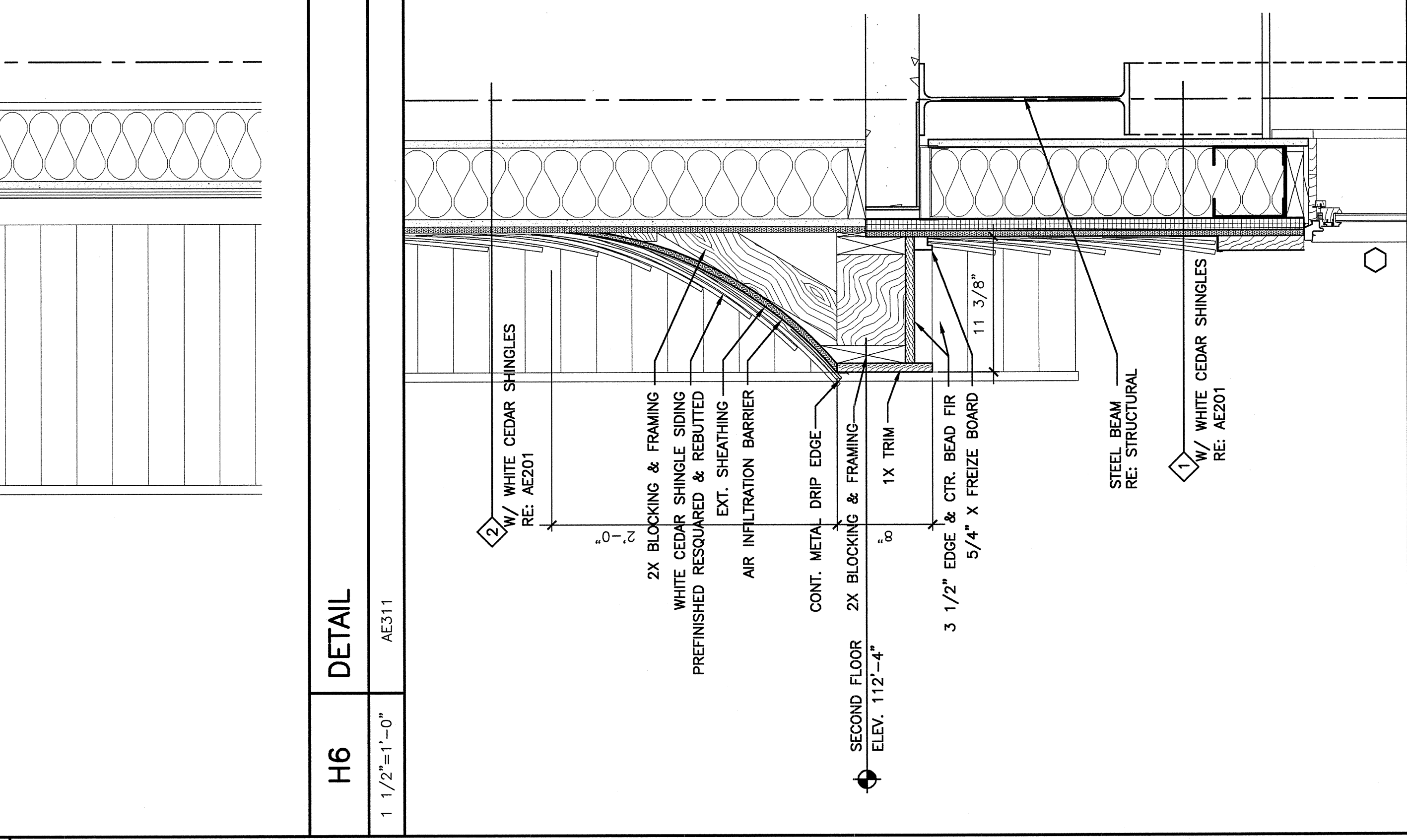
**H6 DETAIL**  
 1 1/2"=1'-0"  
 AE311



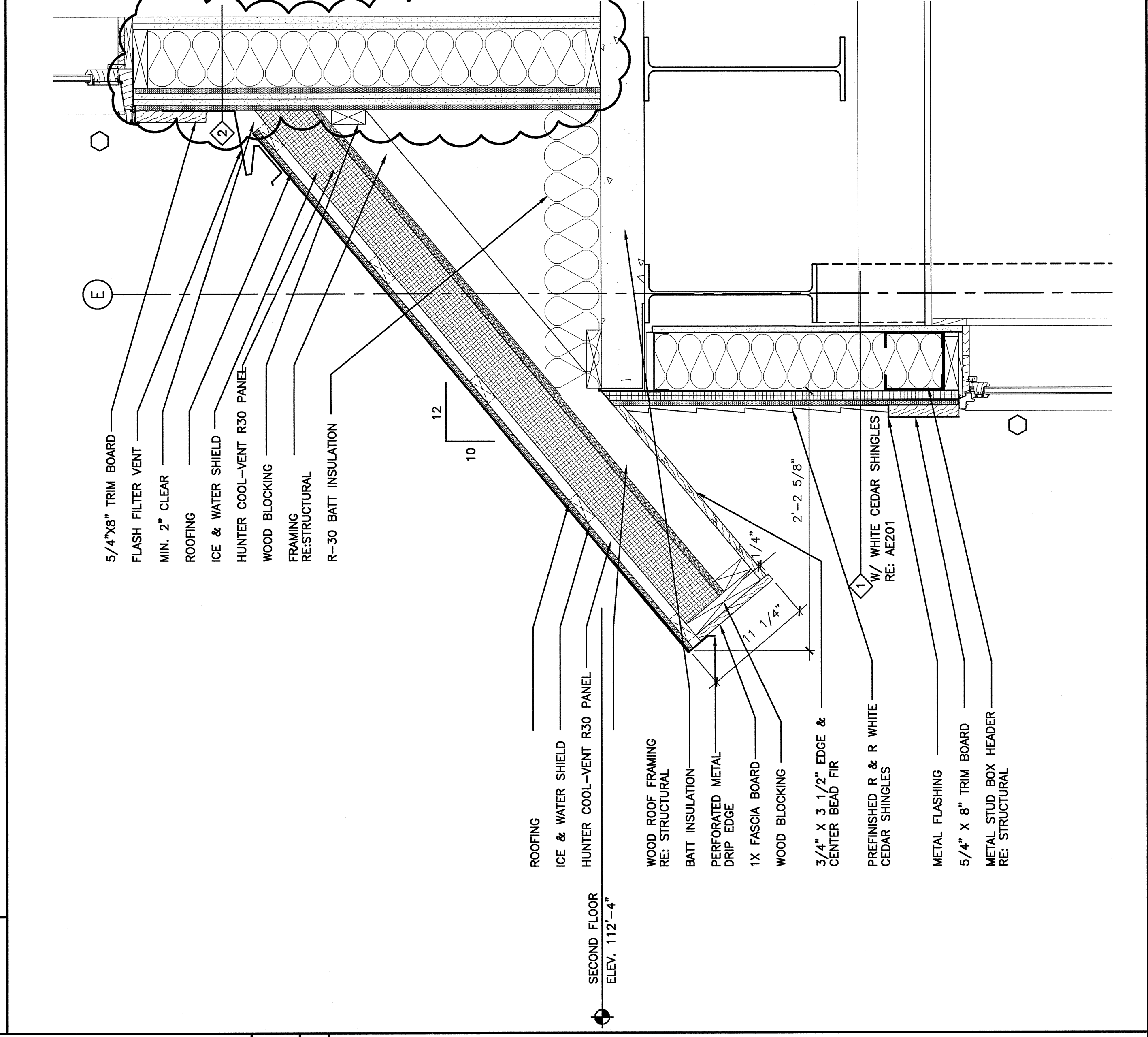
**K10 DETAIL**  
 1 1/2"=1'-0"  
 AE311



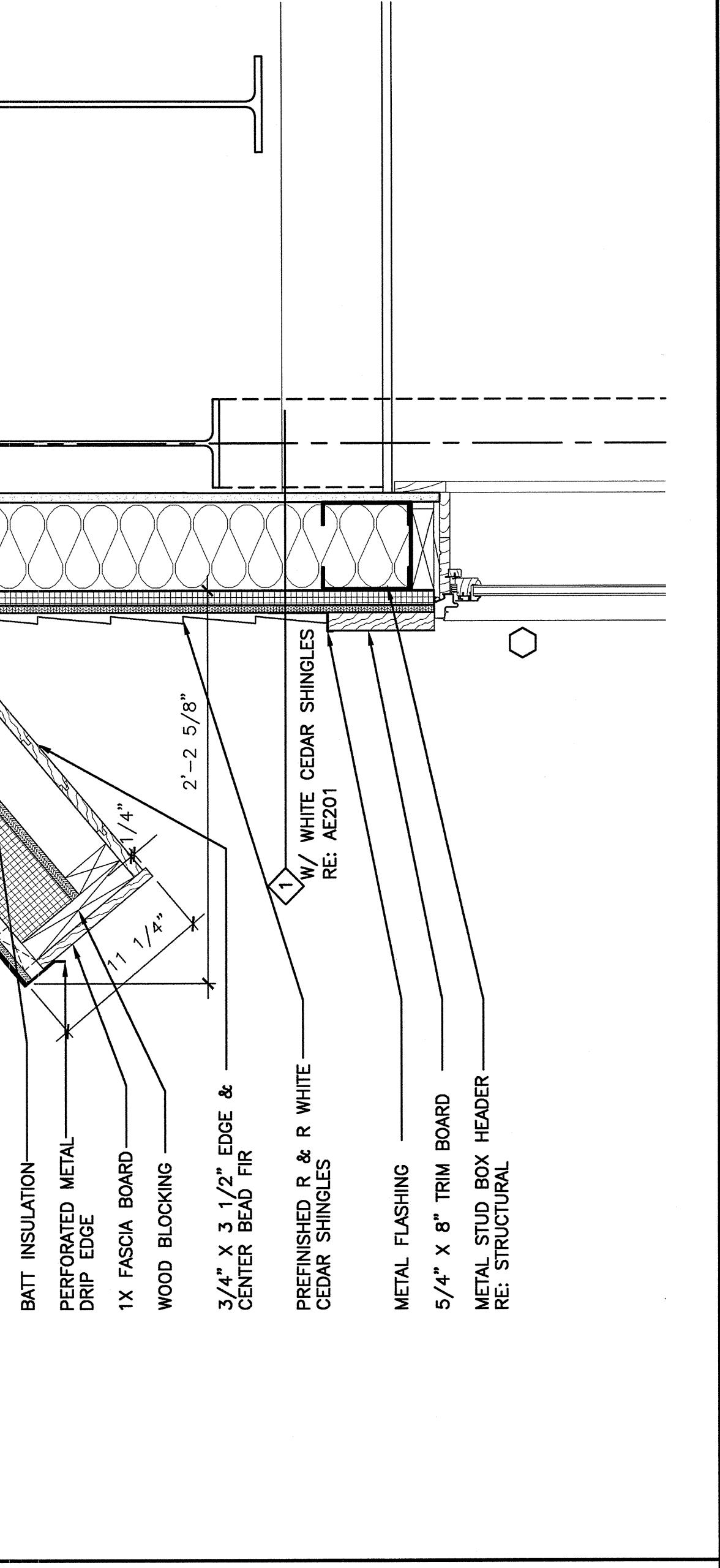
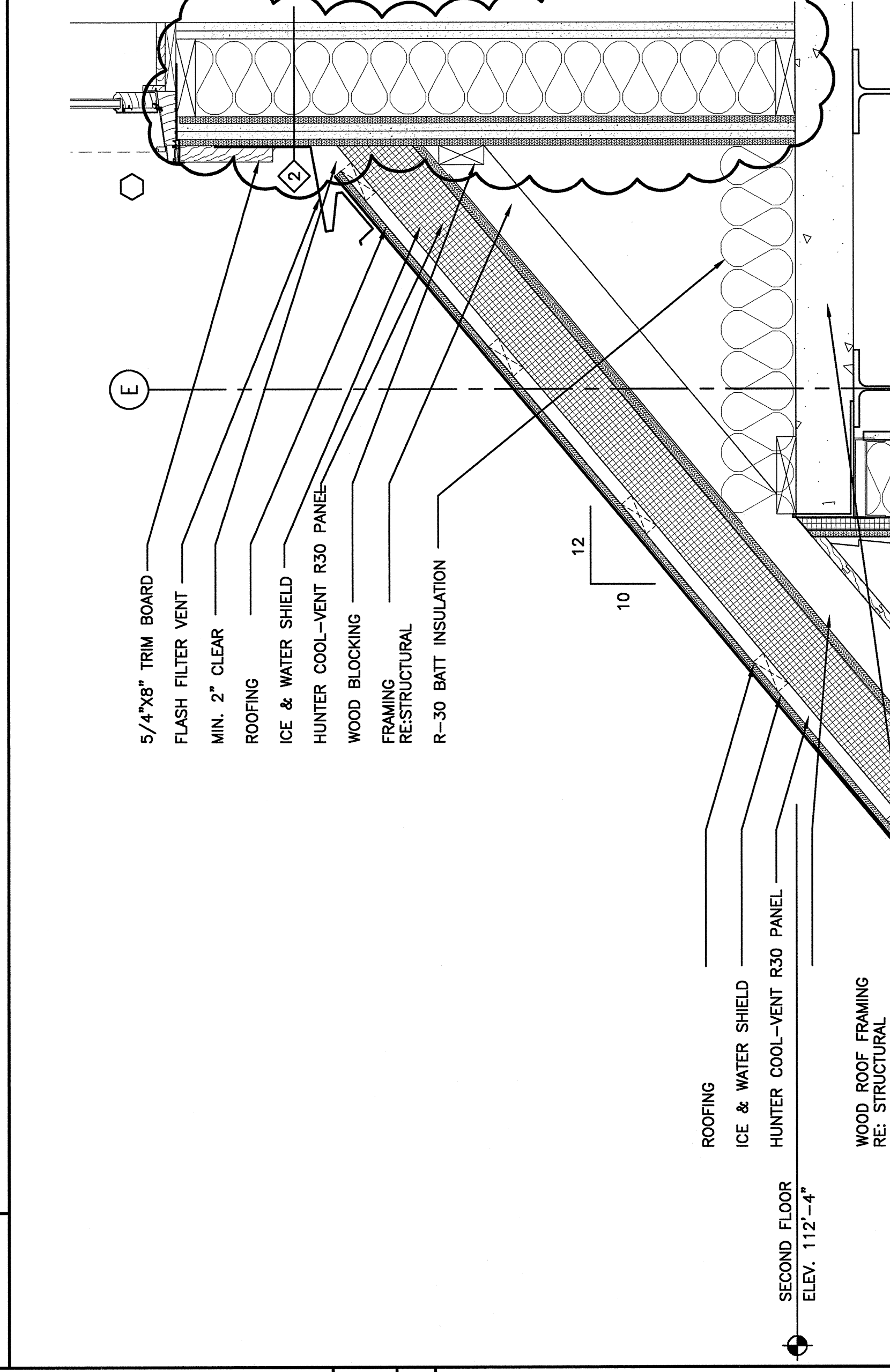
**A1 DETAIL**  
 1 1/2"=1'-0"  
 AE311



**A6 DETAIL**  
 1 1/2"=1'-0"  
 AE311



**A10 DETAIL**  
 1 1/2"=1'-0"  
 AE311



**A10 DETAIL**  
 1 1/2"=1'-0"  
 AE311

PROJECT TITLE: THE ALTON E. "CHUCK" CIANCHETTA SCOUT SERVICE CENTER, BOY SCOUTS OF AMERICA  
 PORTLAND, ME.  
 REVISIONS: 5-6-04

REV	DESCRIPTION	DATE
1	REVISED FOR S1#1	5-6-04
0	ISSUED FOR CONSTRUCTION	3-31-04

CURRENT ISSUE STATUS:

GRAPHIC SCALE: 0" = 1'

SCALE: 1 1/2"=1'-0"

PROJECT MANAGER: JUH  
 JC/DRAWN BY: BUL  
 A/E OF RECORD: JUH  
 SMART CAD FILE: AE502-03152  
 PROJECT NO: 03152  
 DATE: 3-31-04  
 SHEET TITLE:

SECTION DETAILS  
 SHEET No. AE502

ARCHITECTURE ENGINEERING PLANNING  
 SMART  
 144 Fore Street, P.O. Box 618  
 Portland, Maine 04104  
 Tel: (207) 772-3846  
 Fax: (207) 772-1070

