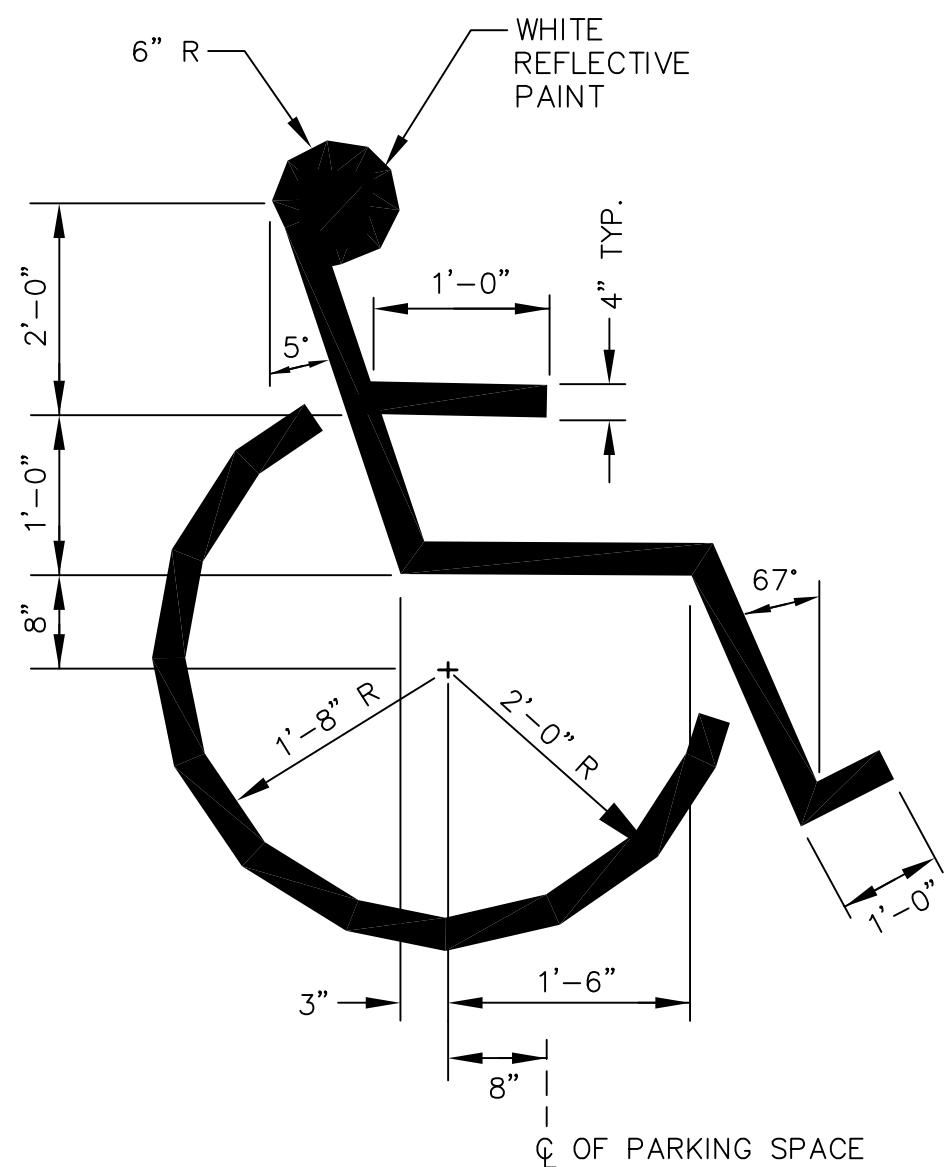
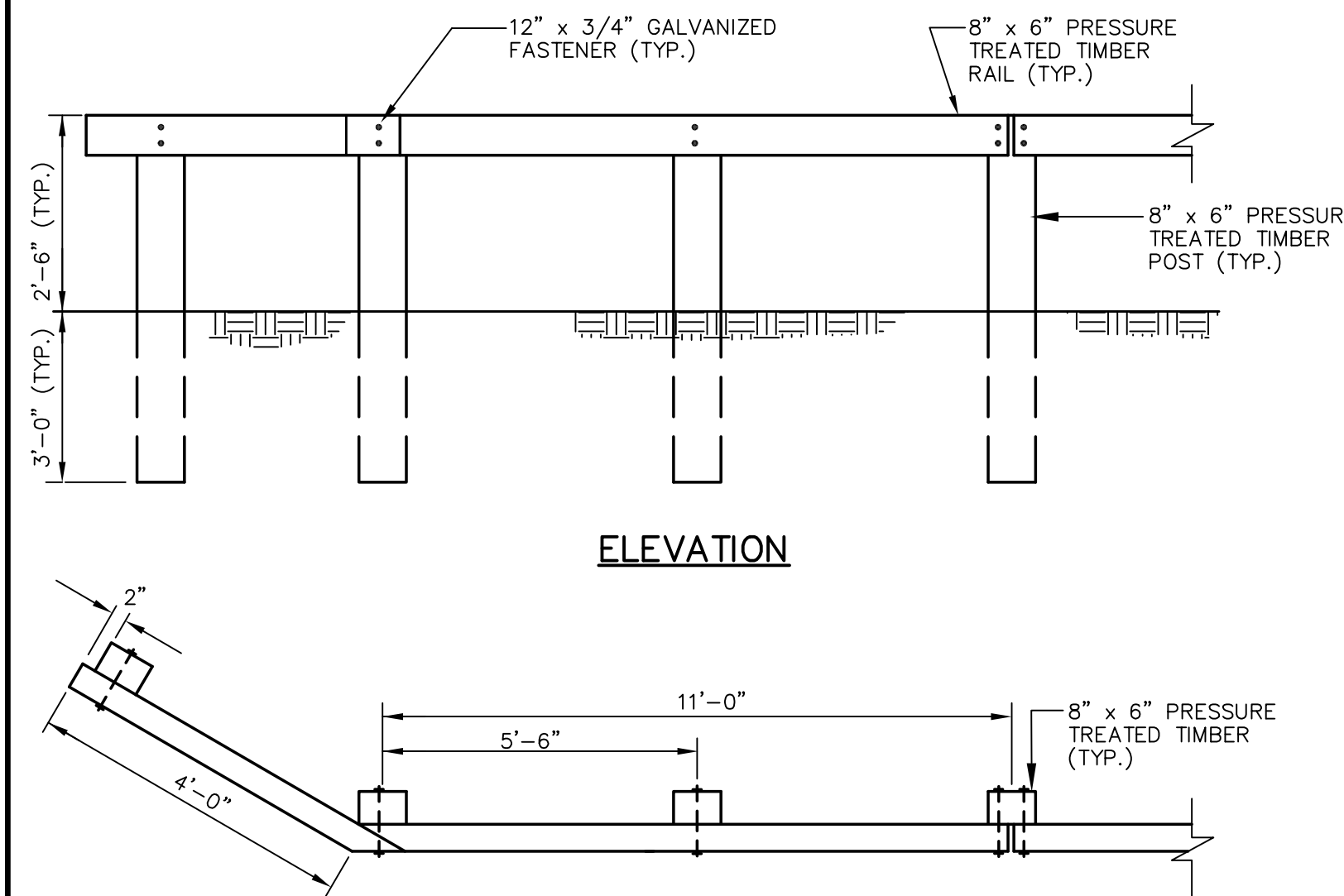


NEW PAVEMENT ADJACENT TO EXISTING PAVEMENT (A) (C4)
SAWCUT DETAIL
 N.T.S.



INTERNATIONAL BARRIER FREE SYMBOL (E) (C4)
 N.T.S.

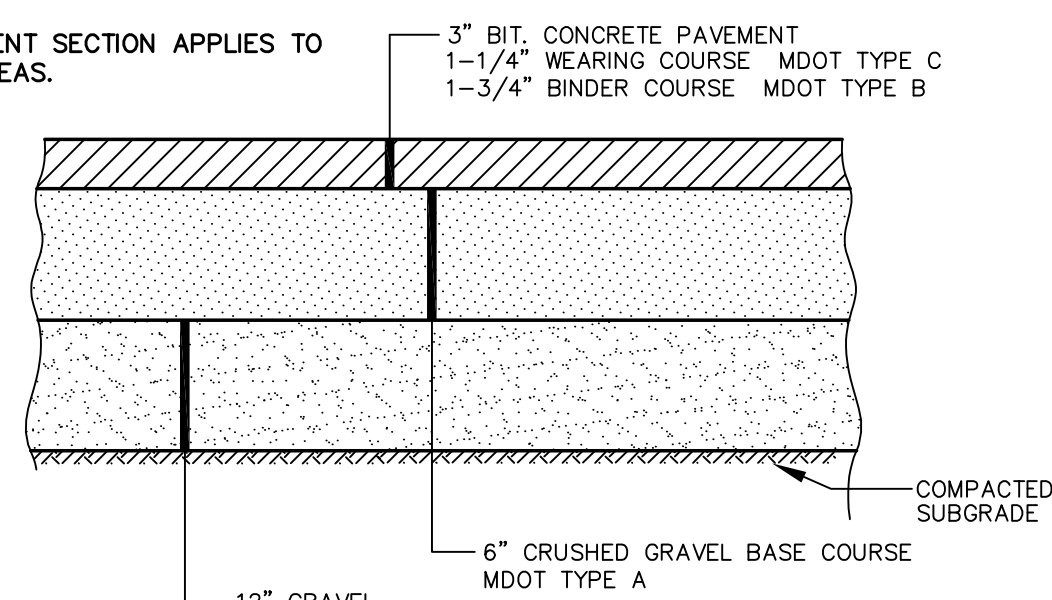


WOODEN GUIDERAIL DETAIL (J) (C4)
 N.T.S.

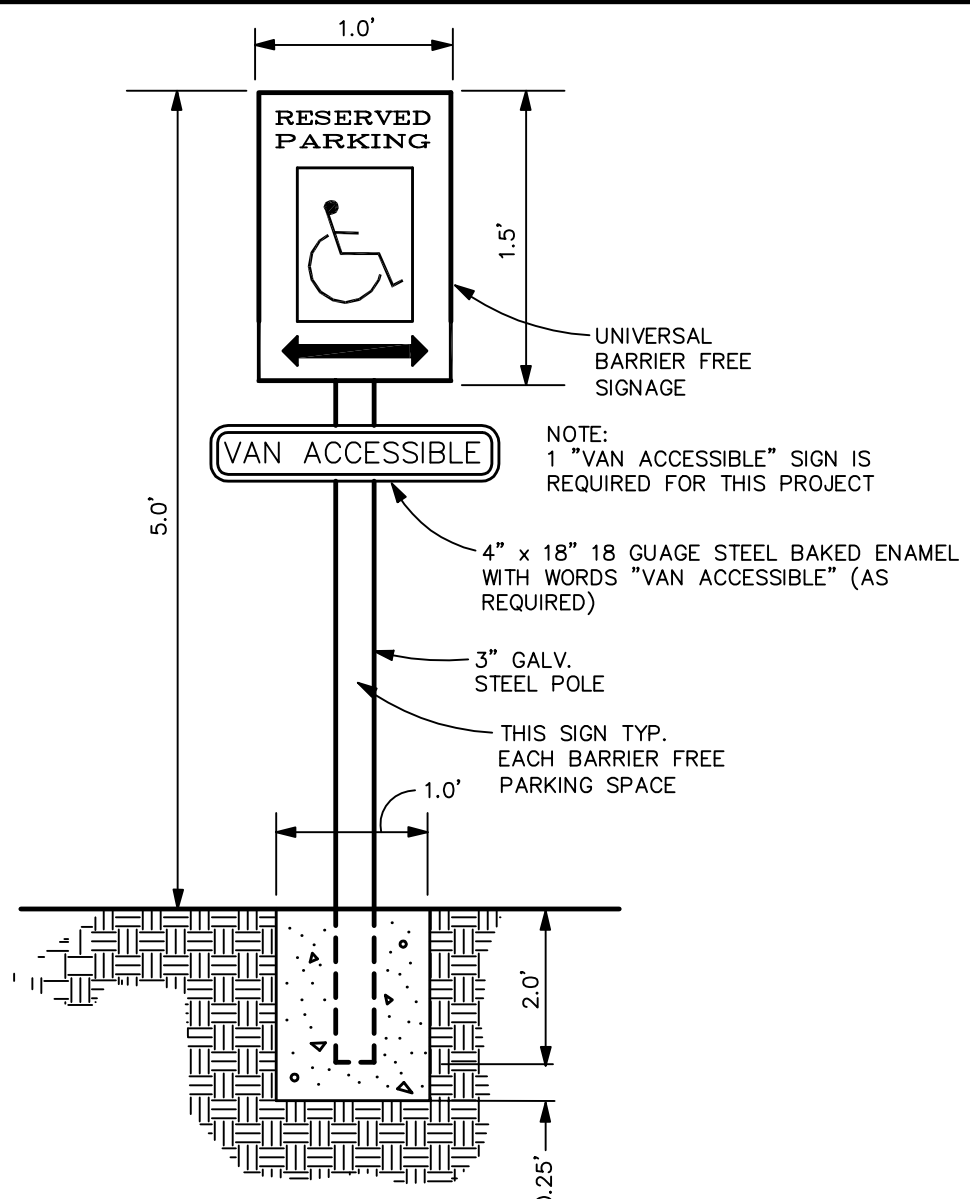
GRANITE BLOCK WALL DETAIL (L) (C4)
 N.T.S.

NOTES:

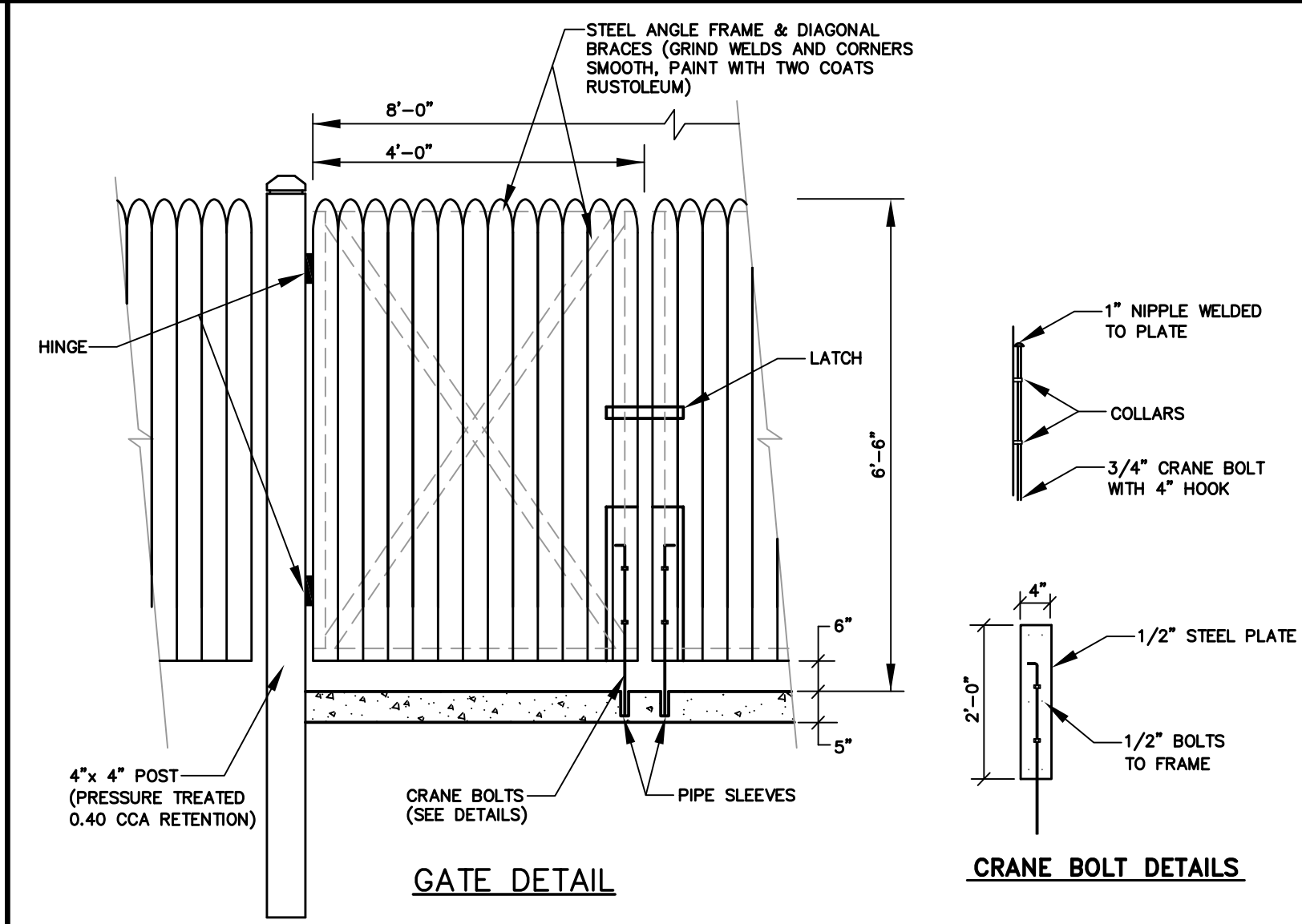
- MDOT TYPE D AGGREGATE GRADATION SHALL BE MODIFIED FOR A MAXIMUM 4" STONE SIZE AND LIMIT #200 SIEVE TO 5% PASSING.
- THIS TYPICAL PAVEMENT SECTION APPLIES TO ALL PARKING LOT AREAS.



PAVEMENT SECTION DETAIL (B) (C4)
 N.T.S.

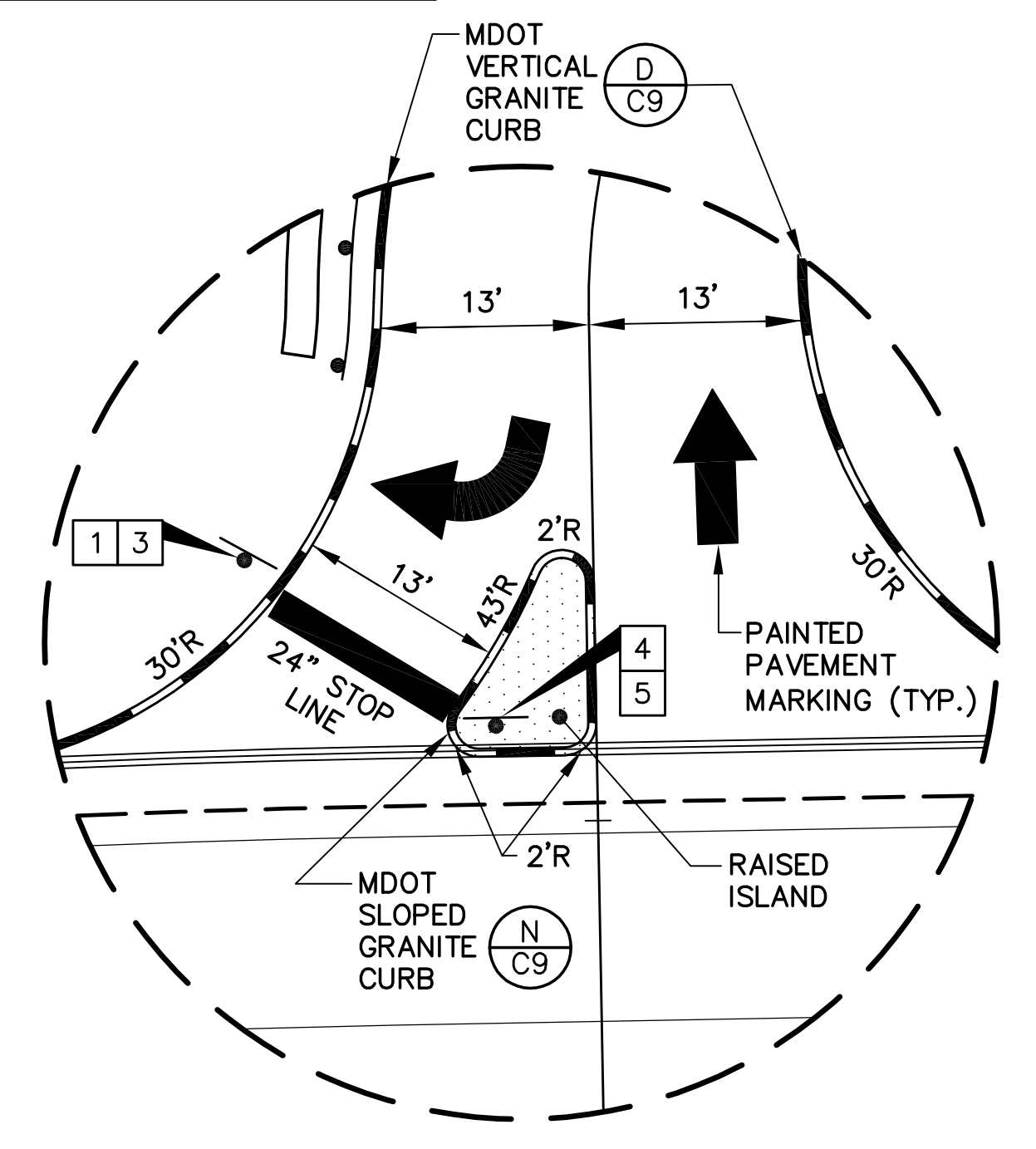


BARRIER FREE PARKING SIGN (F) (C4)
 N.T.S.

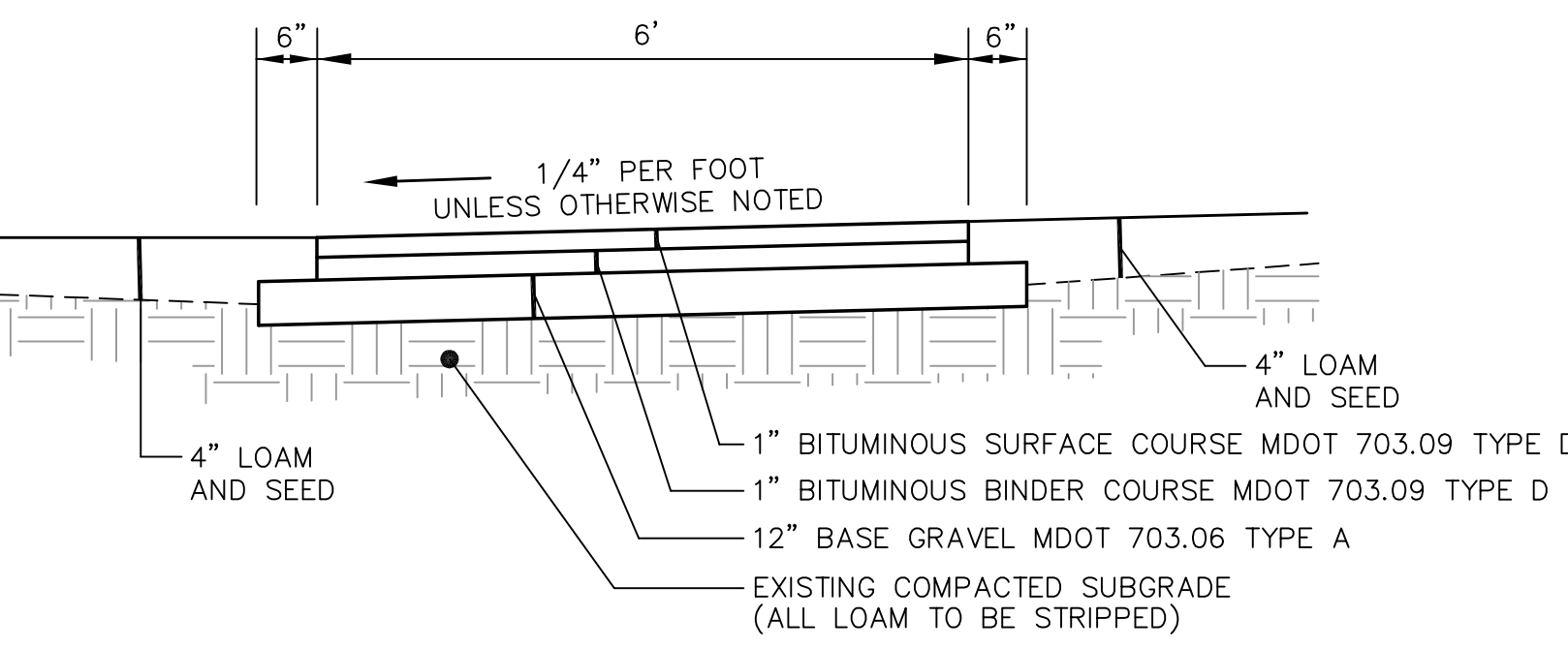


GATE DETAIL
CRANE BOLT DETAILS

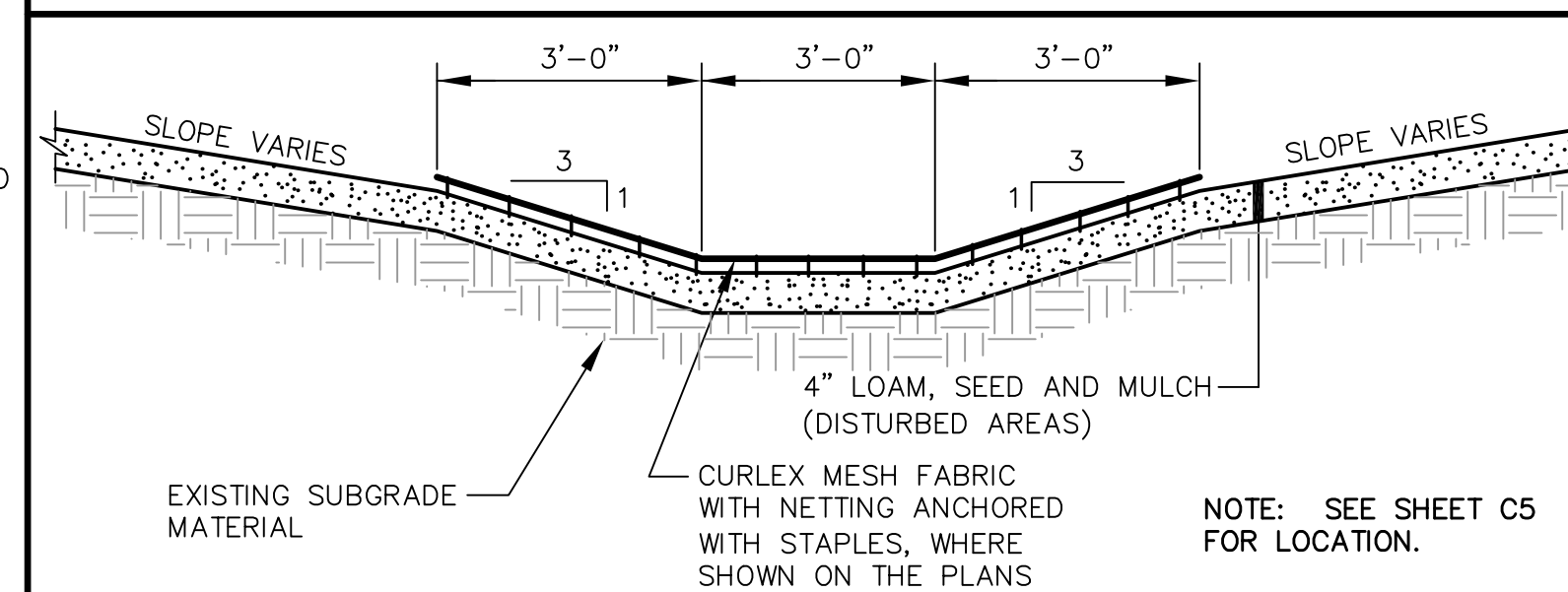
SIGNAGE & PAVEMENT MARKINGS SHALL BE IN ACCORDANCE WITH THE MANUAL ON UNIFORM TRAFFIC CONTROL DEVICES (MUTCD) REGARDING SIZE, INSTALLATION, LOCATION & REFLECTIVITY.



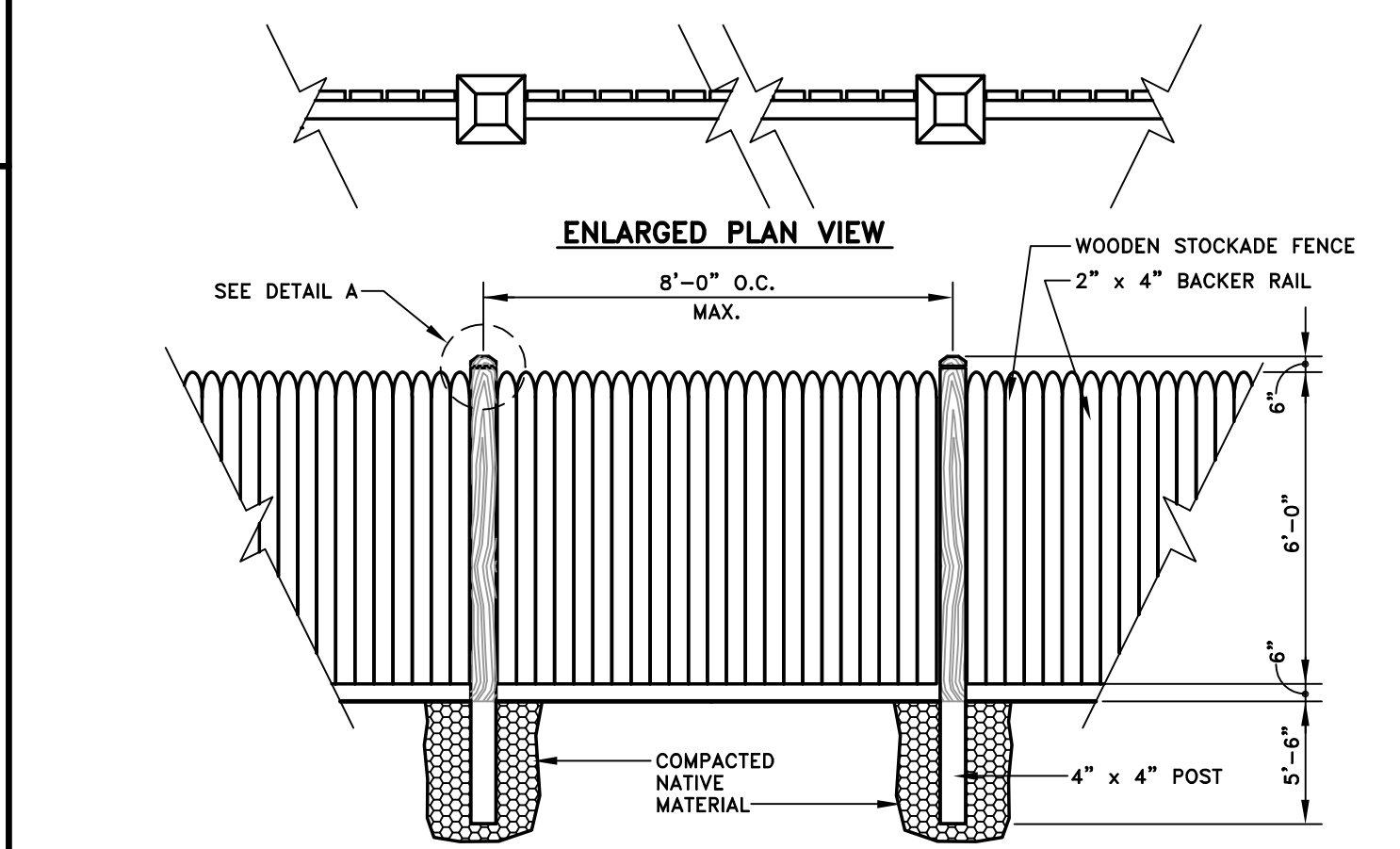
RAISED ISLAND DETAIL (M) (C4)
 SCALE 1" = 10'



BITUMINOUS SIDEWALK DETAIL (C) (C4)
 N.T.S.

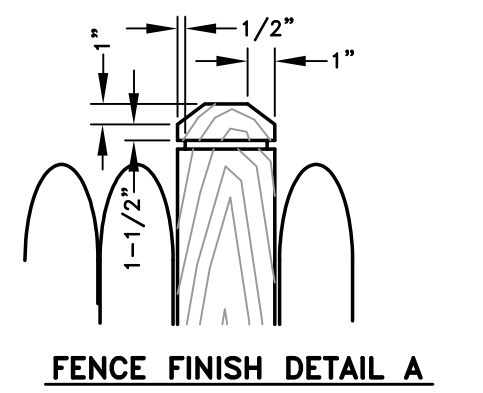


VEGETATED SWALE DETAIL (G) (C5)
 N.T.S.

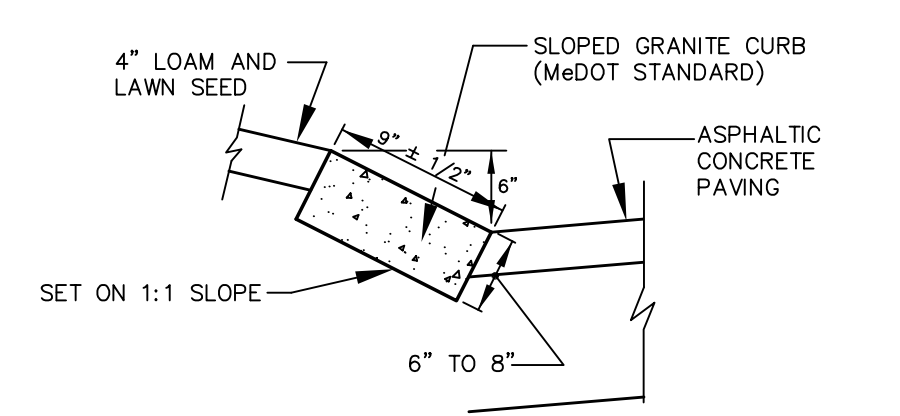


WOODEN FENCE AND GATE DETAIL

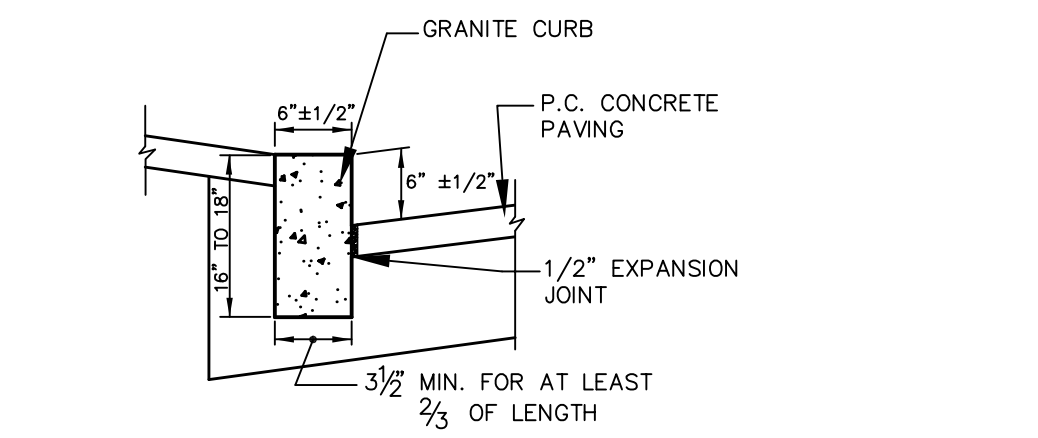
- NOTES:**
- ALL WOOD DIMENSIONS ARE ROUGH FINISH.
 - ALL WOOD TO BE #1 GRADE, NORTHERN WHITE CEDAR.
 - ALL WOOD SHALL BE PAINTED WITH TWO COATS OF CEDAR WOOD FINISH BY SHERWIN-WILLIAMS.
 - PRE-MANUFACTURED FENCE OF SIMILAR DIMENSION MAY BE SUBSTITUTED TO ENGINEER FOR APPROVAL, PRIOR TO CONSTRUCTION.



FENCE FINISH DETAIL A

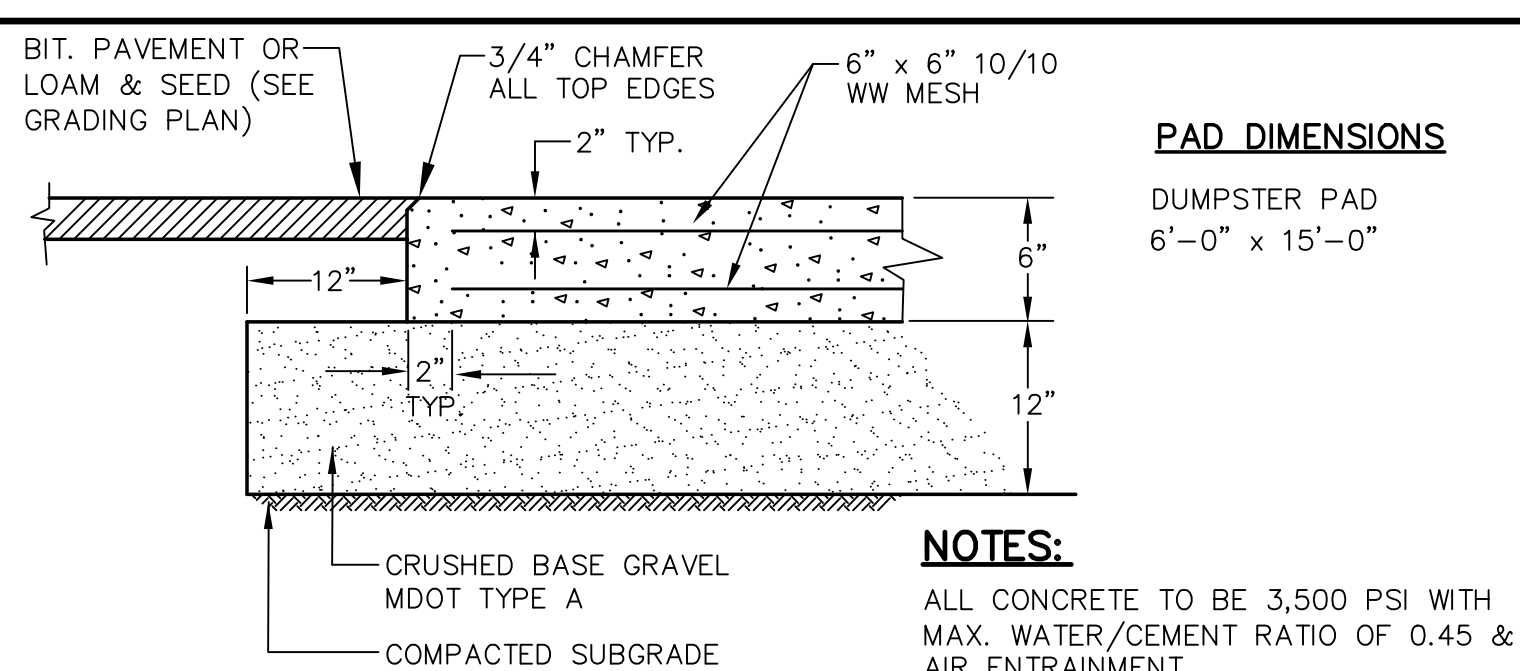


SLOPED GRANITE CURB DETAIL (N) (C9)
 N.T.S.



NOTE:
 VERTICAL GRANITE CURB SHALL MEET THE REQUIREMENTS OF SECTION 8.13 OF THE MAINE DEPARTMENT OF TRANSPORTATION (MDOT) STANDARD SPECIFICATIONS, LATEST REVISION, AND THE DIMENSIONS SHOWN ON THE DRAWINGS. SLOPED GRANITE CURB SHALL MEET THE REQUIREMENTS OF SECTION 8.16 OF THE STANDARD SPECIFICATIONS, LATEST REVISION, AND THE DIMENSIONS SHOWN ON THE DRAWINGS.

TYPE 1 GRANITE CURB DETAIL (D) (C4)
 N.T.S.



CONCRETE DUMPSTER PAD DETAIL (H) (C4)
 N.T.S.

NOTES:
 ALL CONCRETE TO BE 3,500 PSI WITH MAX. WATER/CEMENT RATIO OF 0.45 & AIR ENTRAINMENT.

PAD DIMENSIONS
 DUMPSTER PAD
 6'-0" x 15'-0"

REV	DATE	DESCRIPTION	P.E. DWIGHT D. ANDERSON
6	02/10/04	ISSUED TO CIANBRO FOR PRICING	
5	09/05/01	REVISED PER CITY COMMENTS	
4	06/26/01	REVISED PER CITY COMMENTS & RESUBMITTED TO CITY AND MDOT	
3	05/04/01	SUBMITTED TO CITY & TO MDOT WITH TIER 2 NRPA APPLICATION	
2	02/19/99	SUBMITTED TO MDOT WITH ALTERNATIVE ANALYSIS	
1	01/19/99	SUBMITTED TO BSA FOR REVIEW	

PINE TREE COUNCIL HEADQUARTERS PROJECT

SHEET TITLE
SITE DETAILS
 CLIENT
BOY SCOUTS OF AMERICA

DeLUCA-HOFFMAN ASSOCIATES, INC.
 778 MAIN ST., SUITE 8
 SO. PORTLAND, ME 04106
 TEL. (207) 775-1121
 DRAWN: CDD
 DESIGNED: DDA
 DATE: MAY 2001
 SCALE: AS SHOWN
 JOB NO. 1097
 SHEET **C9**