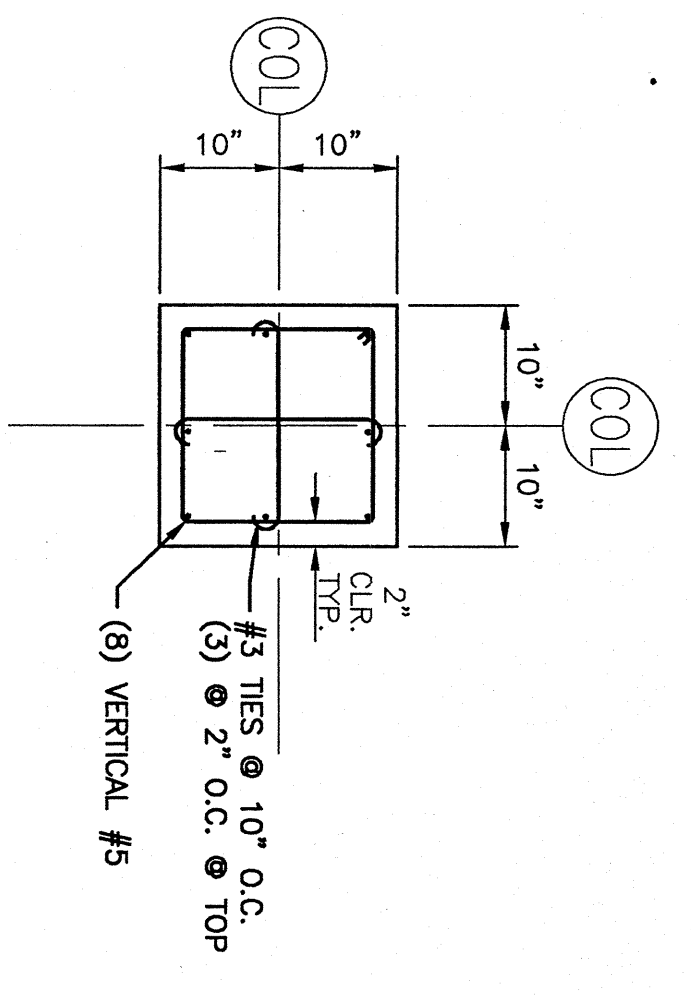


NOTE: SEE FOUNDATION PLAN FOR T.O. PIER ELEVATIONS.



3/4"=1'-0"	A1	TOP OF WALL DETAIL AT STAIRS	3/4"=1'-0"	A5	PIER DETAIL - P5	3/4"=1'-0"	A9	-	3/4"=1'-0"	A14	PIER DETAIL REINFORCING - PR-3
3/4"=1'-0"	K1	PIER DETAIL - P1	3/4"=1'-0"	K5	PIER DETAIL - P2	3/4"=1'-0"	K9	PIER DETAIL - P3	3/4"=1'-0"	K14	PIER DETAIL - P4
3/4"=1'-0"	E1	PIER DETAIL - PB-1	3/4"=1'-0"	E5	PIER DETAIL - PB-2	3/4"=1'-0"	E9	PIER DETAIL REINFORCING - PR-1	3/4"=1'-0"	E9	PIER DETAIL REINFORCING - PR-2

PROJECT TITLE:	BOY SCOUTS OF AMERICA PINE TREE COUNCIL PORTLAND, ME.
CURRENT ISSUE STATUS:	ISSUED FOR PERMITTING 3-09-04
SCALE:	AS NOTED
PROJECT MANAGER:	JLH
DATE OF RECORD:	JSW
SMART CAD FILE:	SB503-03152
PROJECT NO.:	03152
DATE:	
SHEET TITLE:	FOUNDATION SECTIONS & DETAILS
SHEET NO.:	SB503

PROJECT TITLE:
**BOY SCOUTS OF AMERICA
PINE TREE COUNCIL
PORTLAND, ME.**

CURRENT ISSUE STATUS:
**ISSUED FOR PERMITTING
3-09-04**

ARCHITECTURE ENGINEERING PLANNING

SMART
144 Fore Street/P.O. Box 618
Portland, Maine 04104
tel. (207) 772-3846
fax. (207) 772-1070

