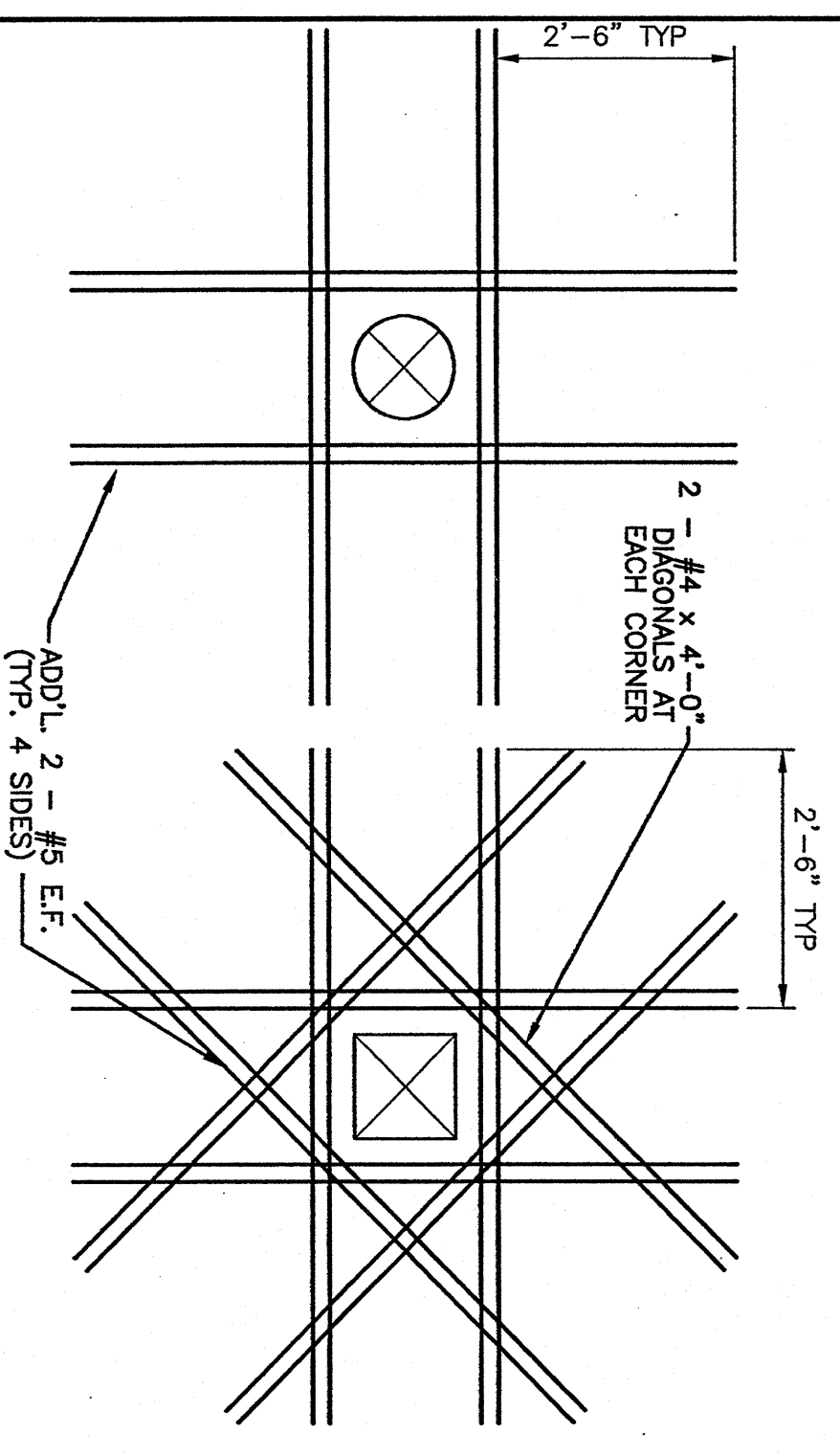


K1 TYPICAL STEP FOOTING DETAIL ON SOIL

3/4"=1'-0"



K5 TYP. OPENING IN FNDN., WALL OR SLAB

3/4"=1'-0"

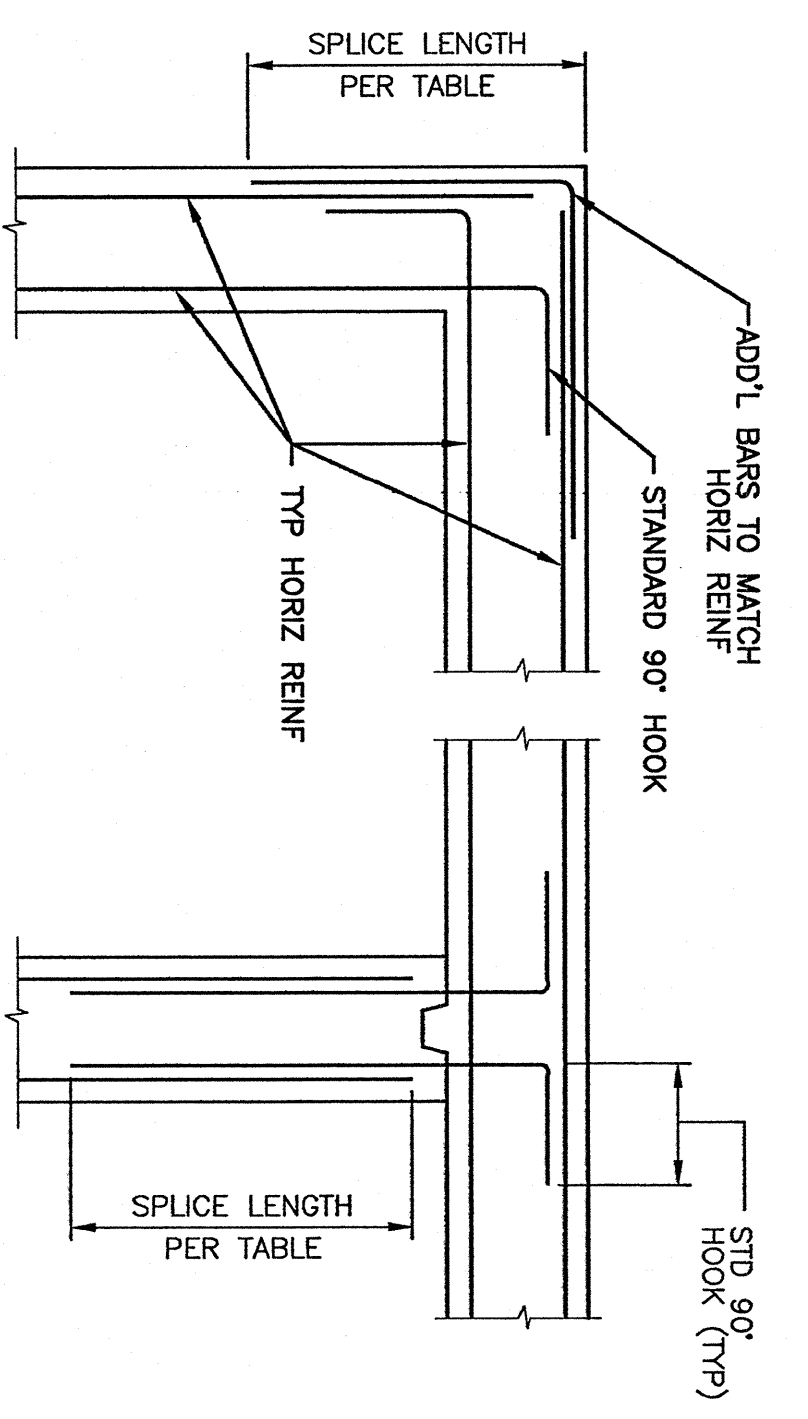
NOTES:
1. REFER TO STRUCTURAL, ARCHITECTURAL, PLUMBING, MECHANICAL, AND ELECTRICAL DRAWINGS FOR LOCATIONS.
2. PROVIDE ADDITIONAL REINFORCEMENT FOR OPENINGS > 8".

WHERE LAP SPlice LENGTHS FOR REINFORCING STEEL ARE NOT SPECIFIED, PROVIDE SPlice LENGTHS IN ACCORDANCE W/ THE FOLLOWING TABLE:

BAR SIZE	SPlice LENGTH F _c = 3000 PSI	SPlice LENGTH F _c = 4000 PSI
#3	16"	16"
#4	22"	19"
#5	27"	23"
#6	35"	31"
#7	48"	42"
#8	63"	55"
#9	80"	69"
#10	102"	88"

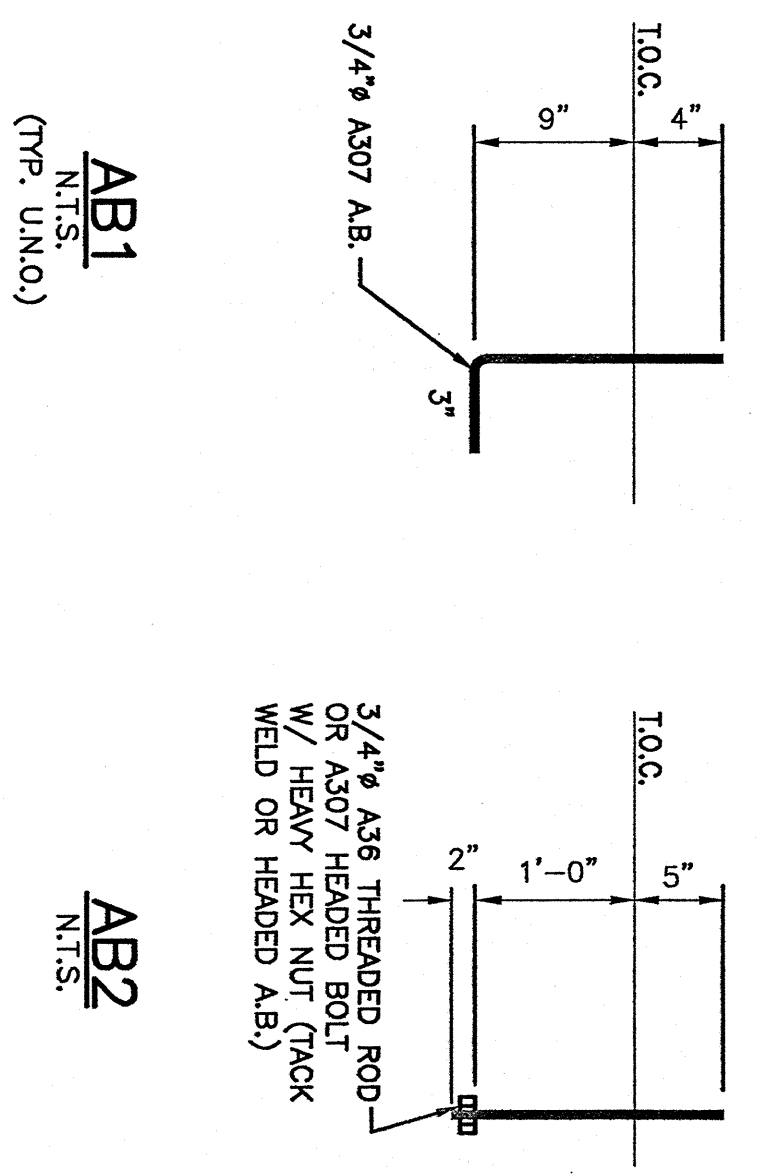
E5 LAP SPlice SCHEDULE

3/4"=1'-0"



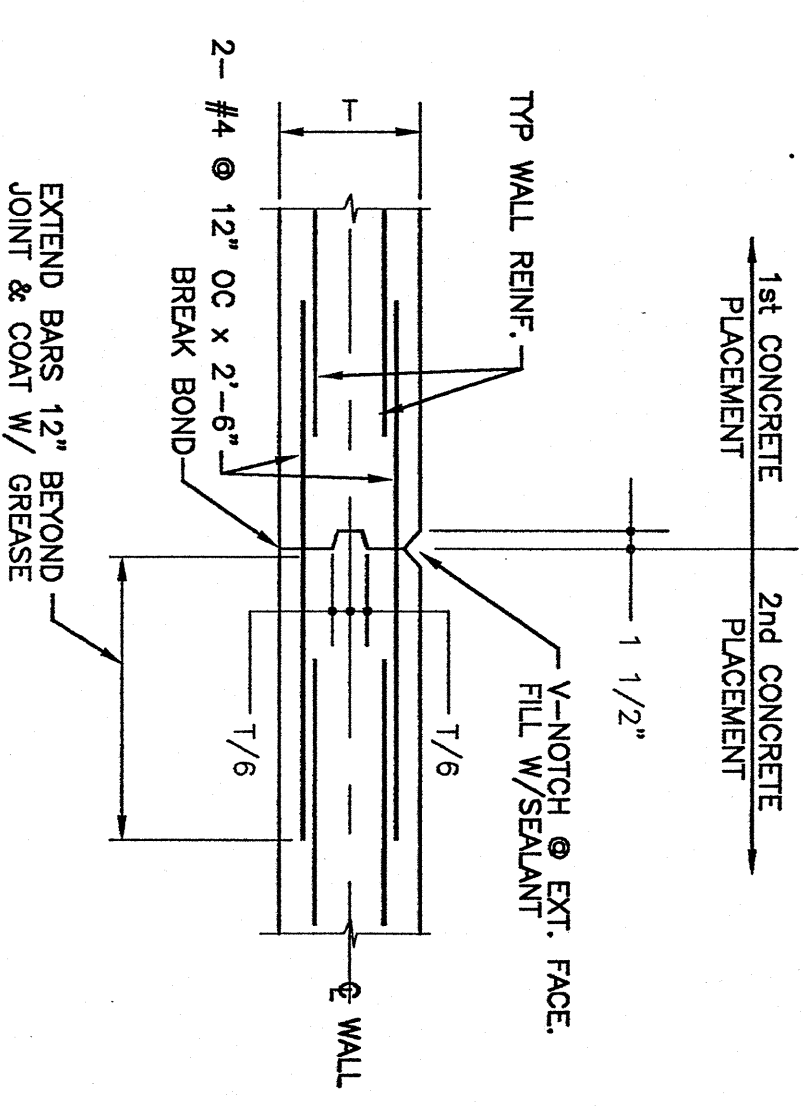
A5 TYP. WALL CORNER & INTERSECTION

3/4"=1'-0"



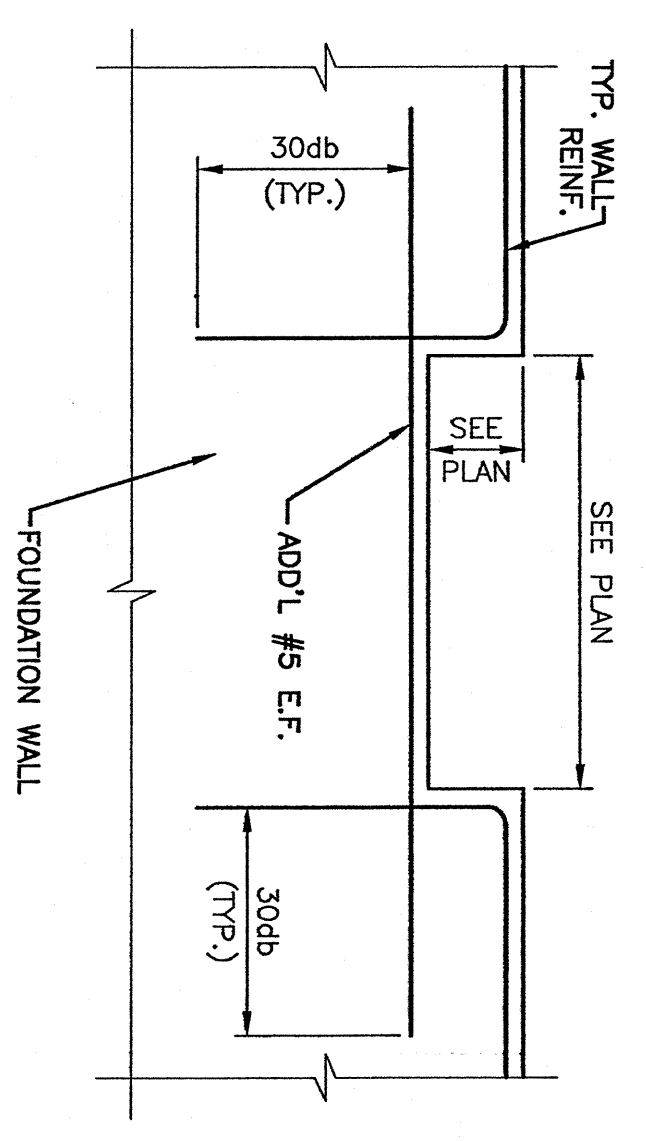
K9 TYPICAL ANCHOR BOLTS

3/4"=1'-0"



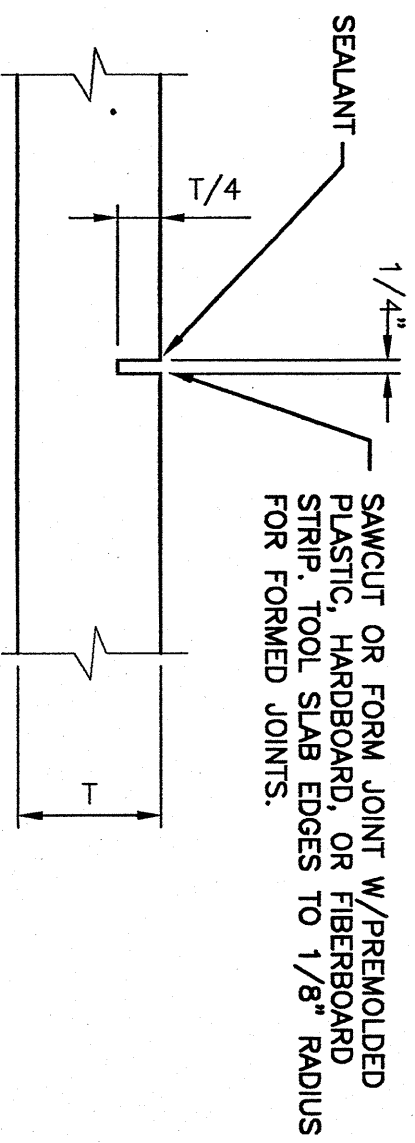
E9 TYP. CONSTRUCTION JOINT IN WALL

3/4"=1'-0"



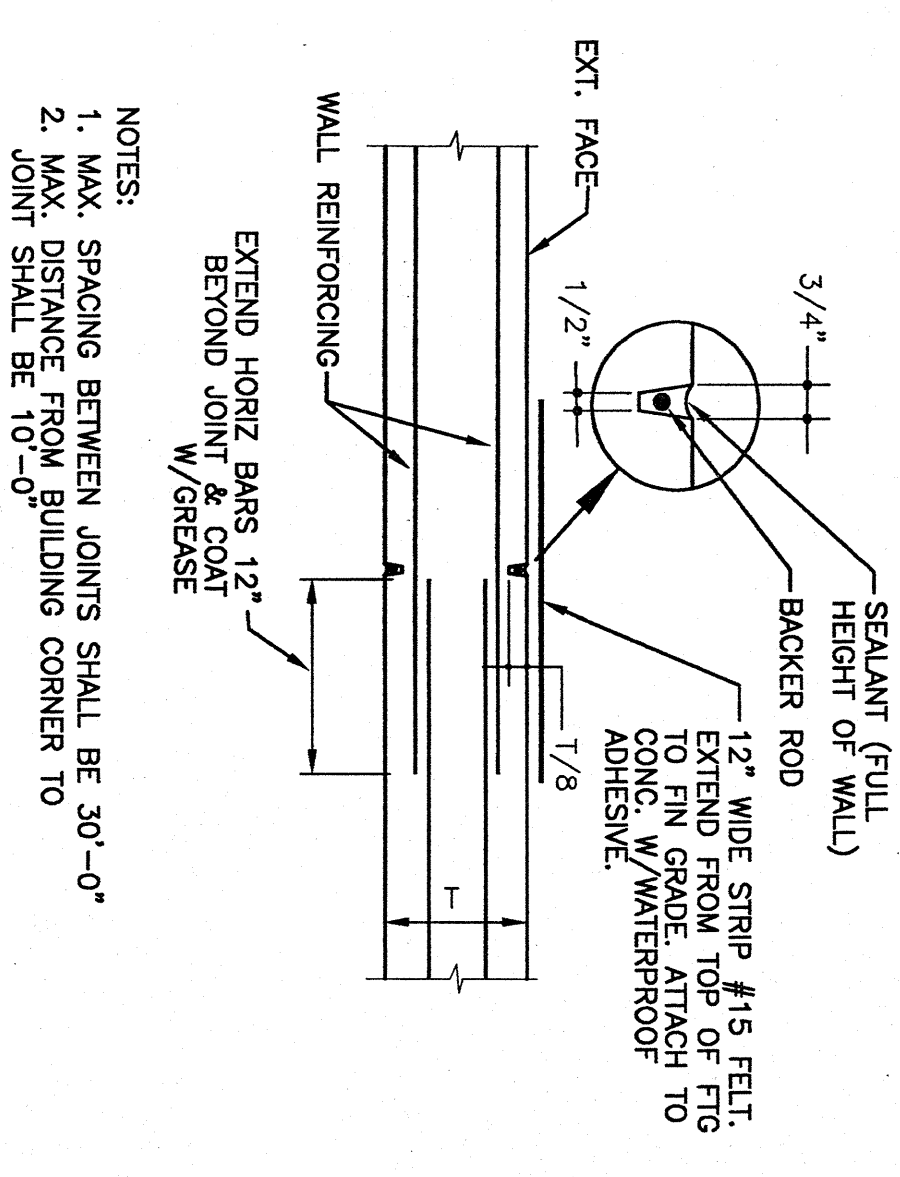
A9 TYP. STEP IN TOP OF FDN. WALL

3/4"=1'-0"



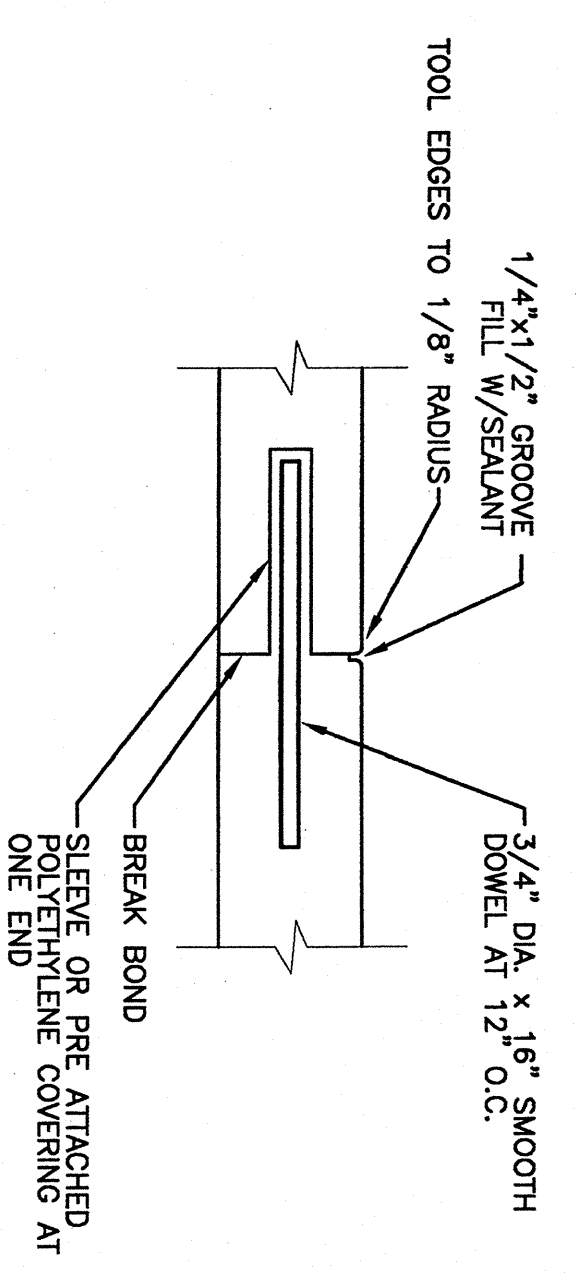
K14 TYP. SLAB ON GRADE CONTROL JOINT

3/4"=1'-0"



E14 TYPICAL CONTROL JOINT IN WALL

3/4"=1'-0"

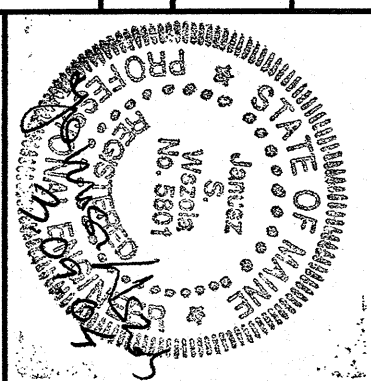


A14 TYP. SLAB ON GRADE CONSTRUCTION JT

1 1/2"=1'-0"



ARCHITECTURE ENGINEERING PLANNING
SMRT
144 Fore Street/P.O. Box 618
Portland, Maine 04104
tel. (207) 772-3846
fax. (207) 772-1070



PROJECT TITLE:
**BOY SCOUTS OF AMERICA
PINE TREE COUNCIL**
PORTLAND, ME.
CURRENT ISSUE STATUS:
**ISSUED FOR PERMITTING
3-09-04**

REV	DESCRIPTION	DATE

GRAPHIC SCALE:
0' 1'

SCALE: AS NOTED
PROJECT MANAGER: J.H.
I.C./DRAWN BY: J.S.G.
I.A.E. OF RECORD: J.S.W.
SMART CAD FILE: SB501-0315Z
PROJECT NO.: 0319Z
DATE: 03/09/04
SHEET TITLE:

TYPICAL FOUNDATION SECTIONS & DETAILS
SHEET NO. SB501