

PROJECT NORTH:

CIANCHETTE SCOUT SERVICE  
 BUILDING RENOVATION  
 SOUTH PORTLAND, MAINE

ISSUED FOR CONSTRUCTION  
 12-11-14

CURRENT ISSUE STATUS:

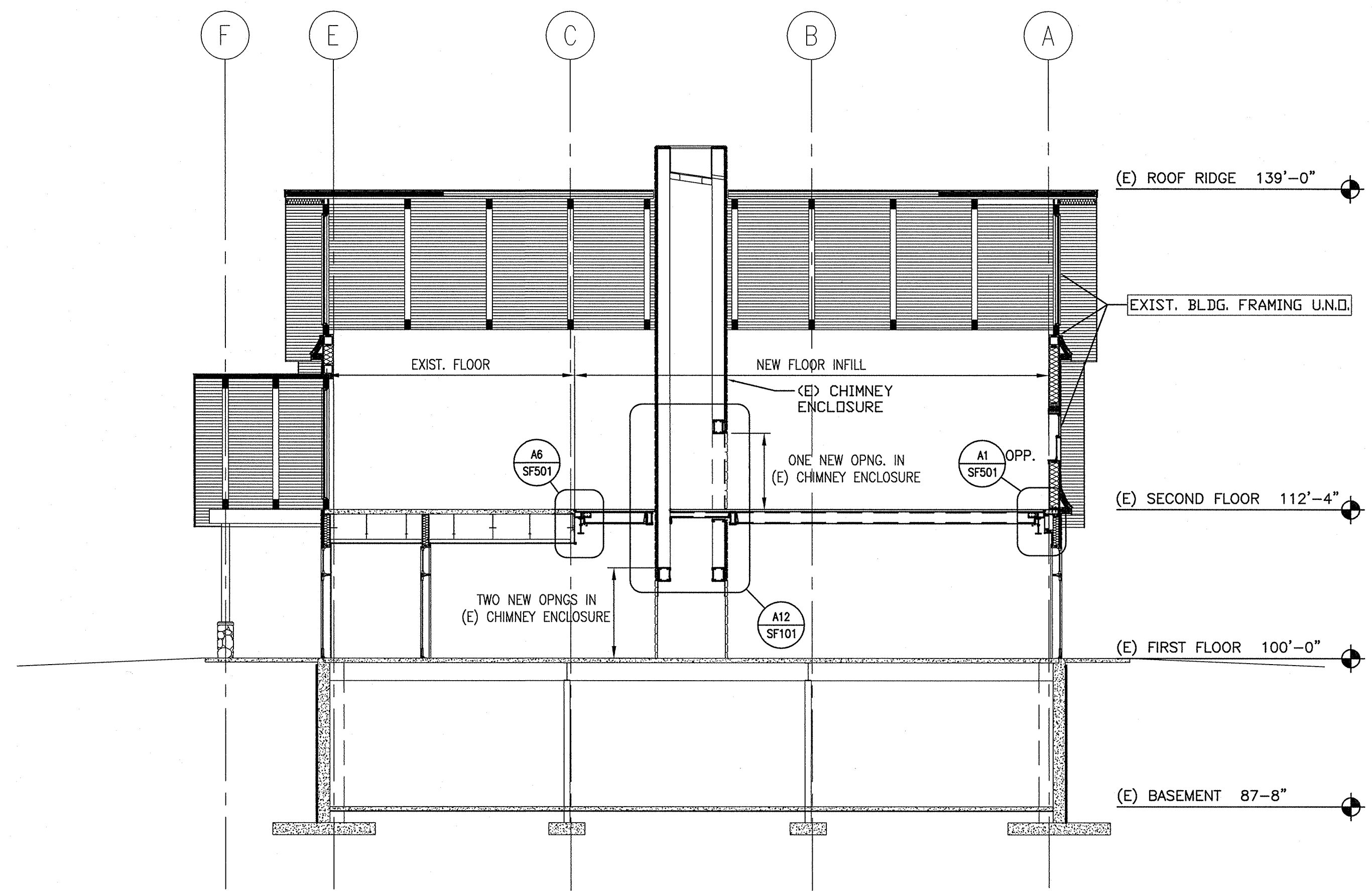
| REV | DESCRIPTION | DATE |
|-----|-------------|------|
|     |             |      |
|     |             |      |
|     |             |      |
|     |             |      |

GRAPHIC SCALE:  
 0" 1"  
 SCALE: AS NOTED  
 PROJECT MANAGER: JSW  
 JCDRAWN BY: SJF/SJF  
 A/E OF RECORD: JSW  
 PROJECT NO: 14179  
 SMRT FILE: SF501-14179  
 DATE: 12-11-14

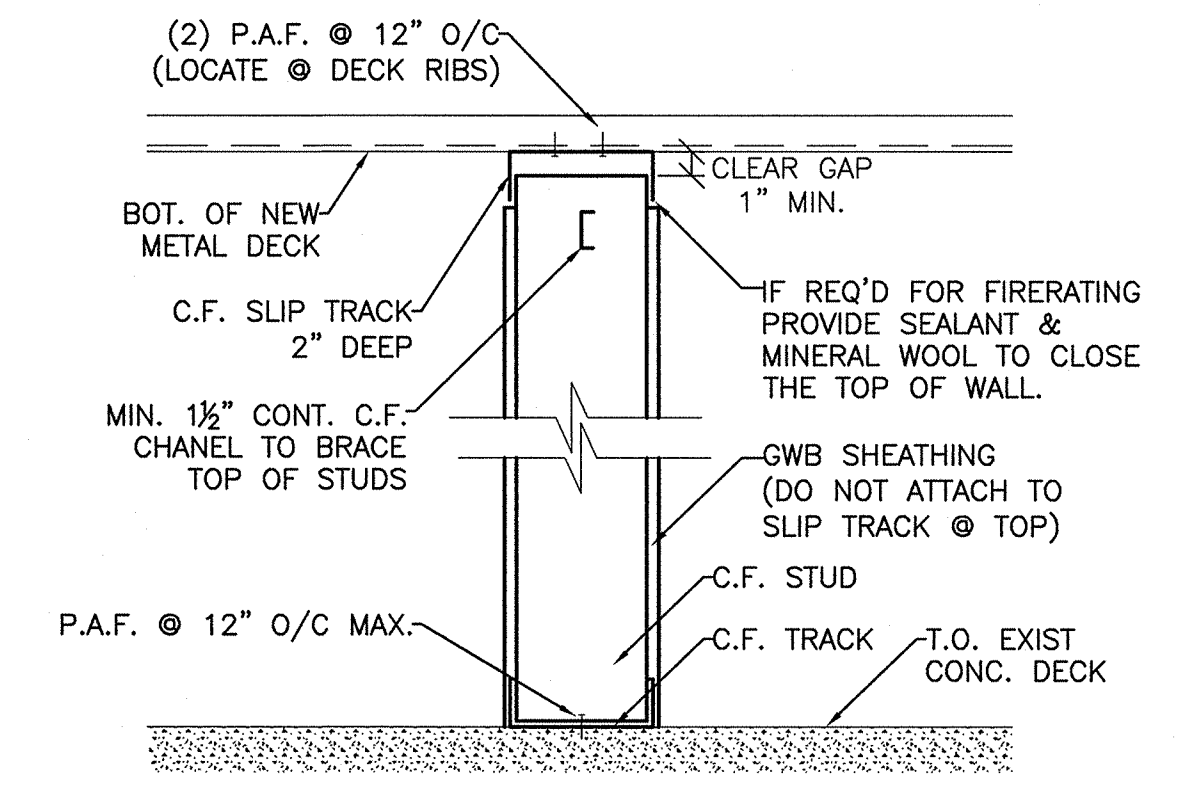
SHEET TITLE:  
 BLDG SECTION  
 & MISC.  
 DETAILS

SHEET No.  
 SF502

PROGRESS PRIN



**H9 SECTION THRU EXIST. BLDG. @ NEW FLOOR INFILL**  
 N.T.S.



NOTE:  
 1. ALL PARTITION COMPONENTS & LAYOUT TO BE COORDINATED BY CONTRACTOR W/ THE INTERIOR LAYOUT DESIGNER.

**C11 TYP. PARTITION SECTION**  
 N.T.S.