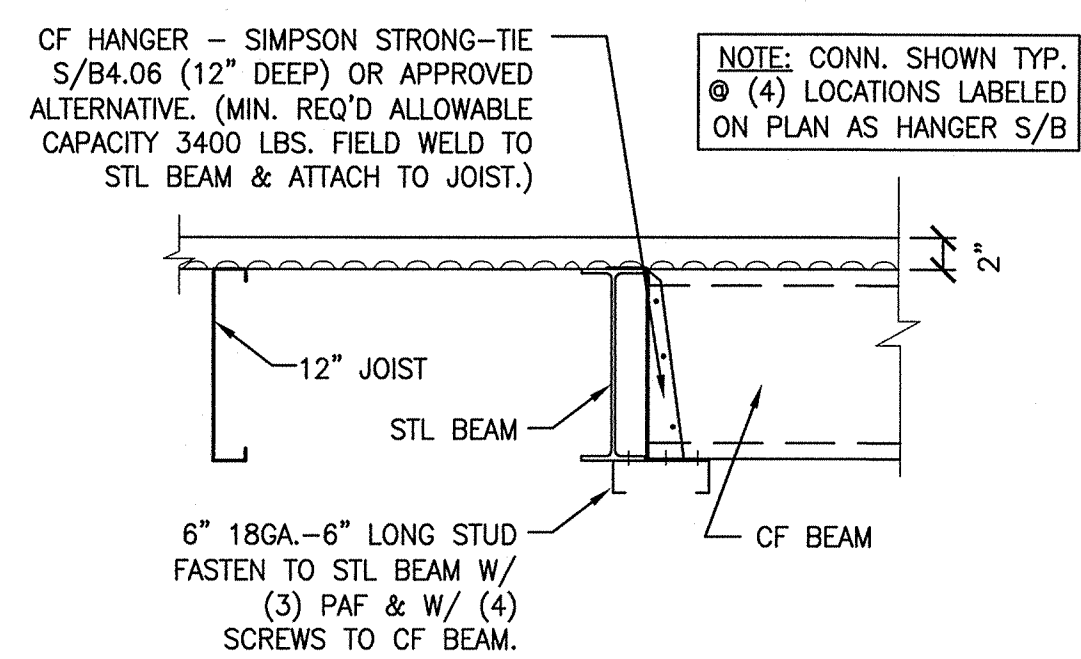
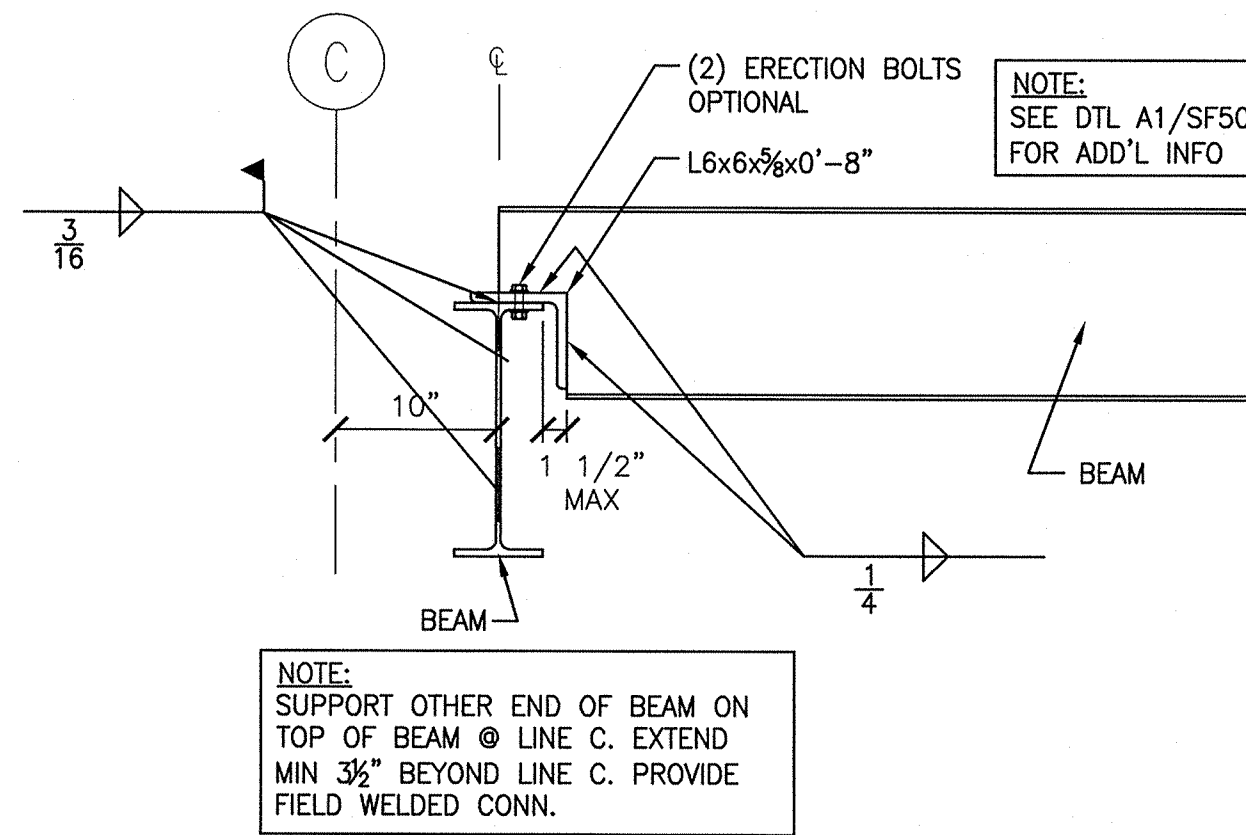


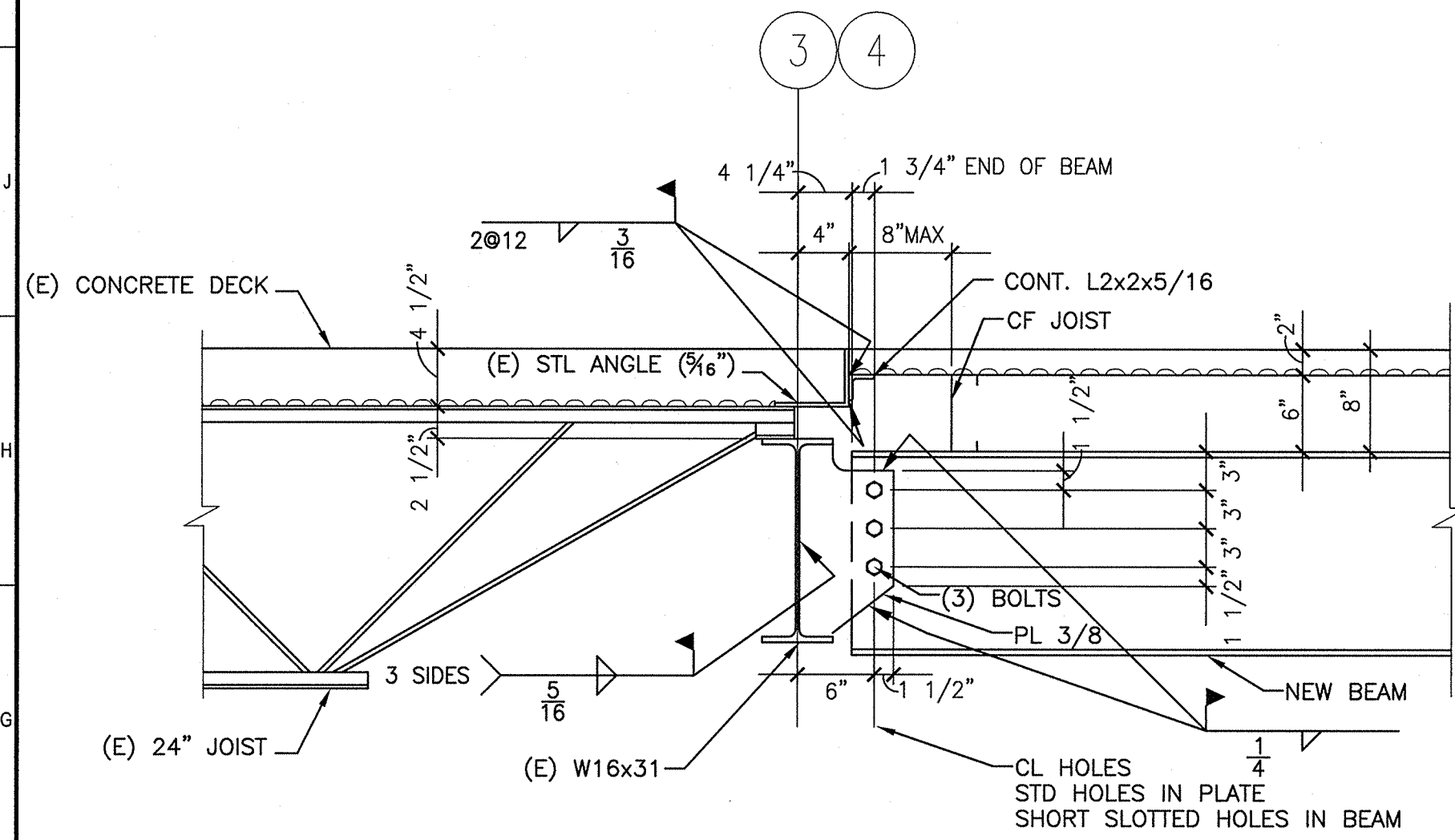
K1 SECTION
SCALE 1"=1'-0"



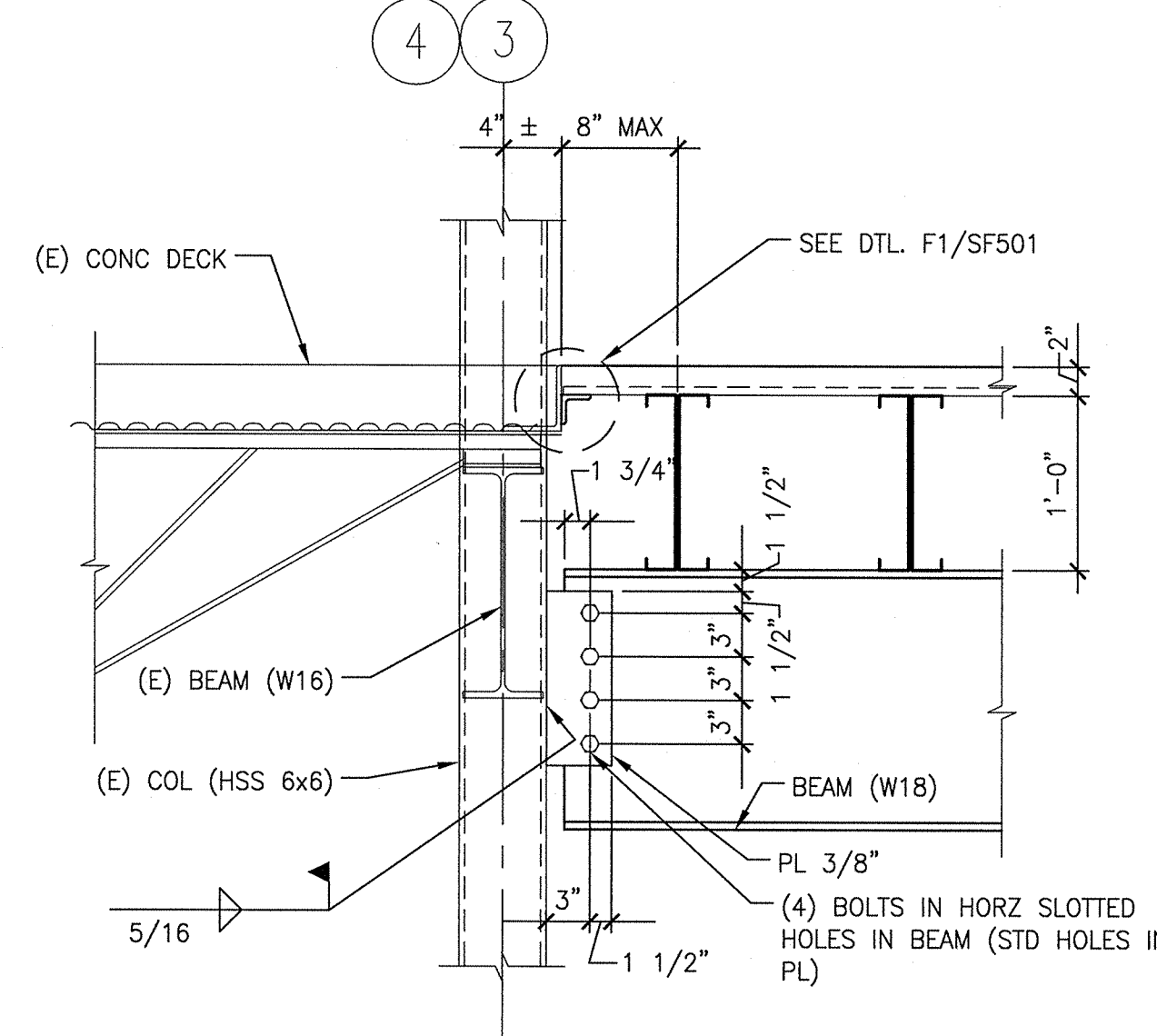
K4 SECTION
SCALE 1"=1'-0"



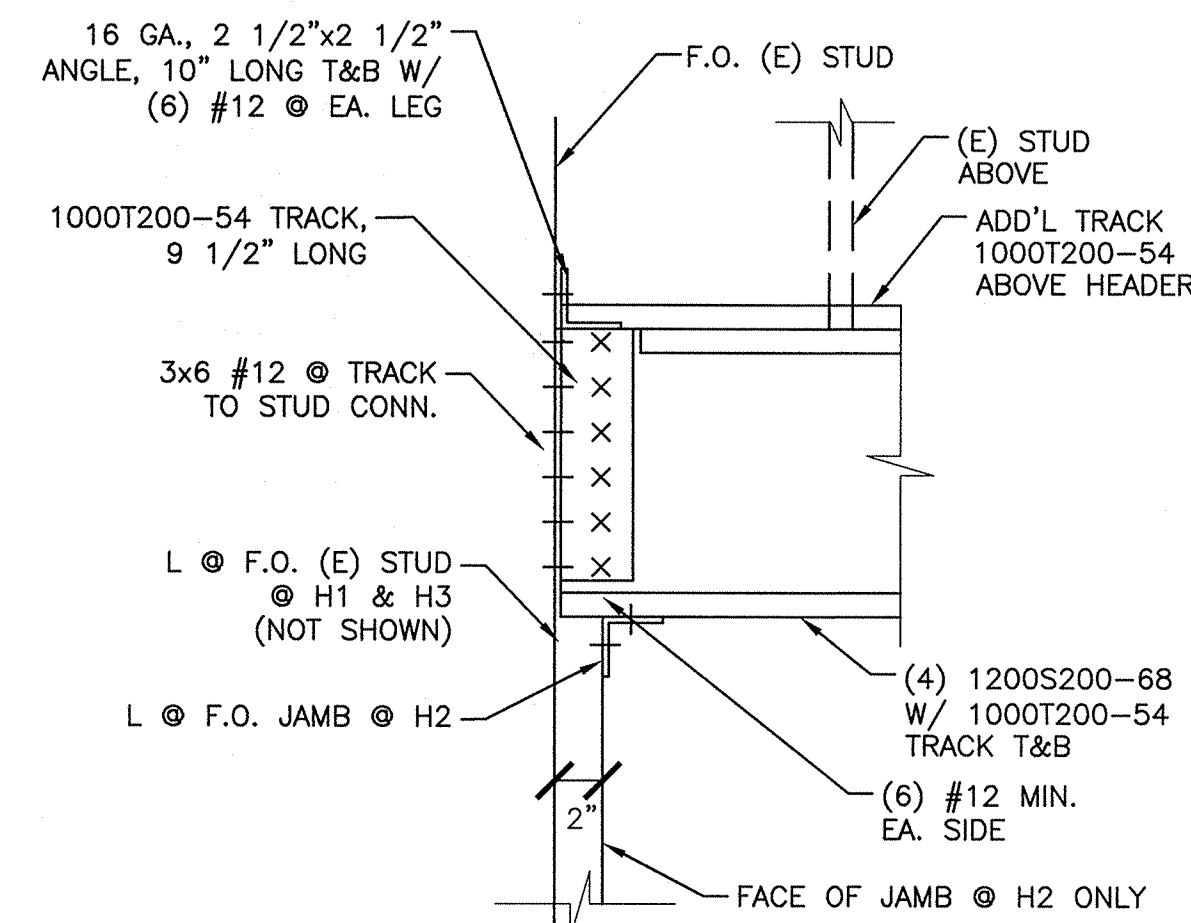
K7 SECTION
SCALE 1"=1'-0"



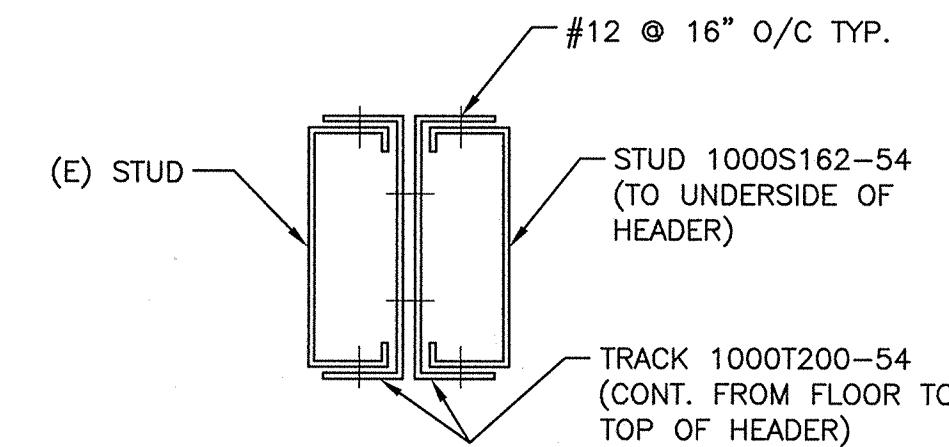
F1 TYP. CONN. @ BEAMS @ LINES A & C
SCALE 1"=1'-0"



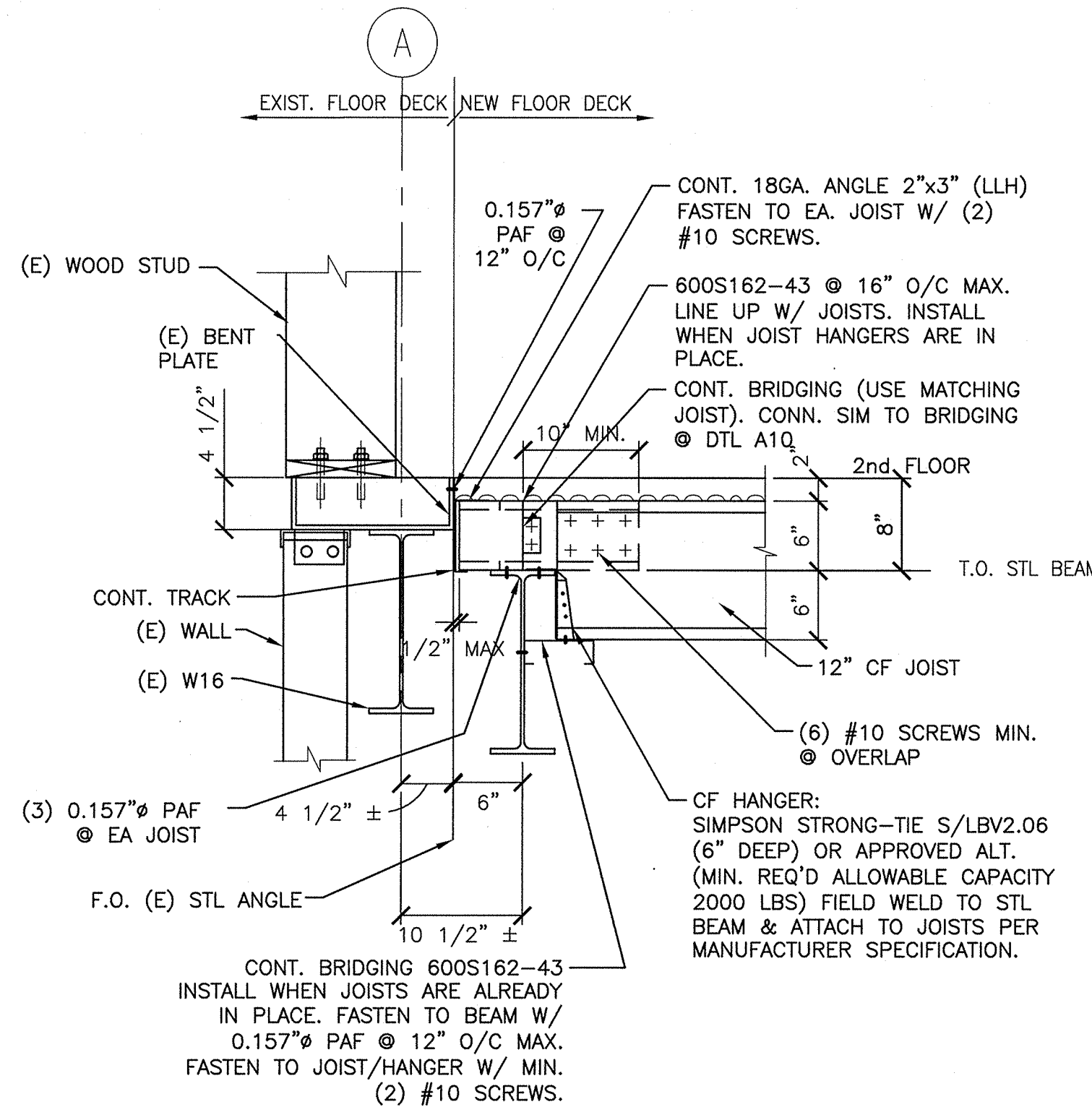
F6 CONN. @ BEAM @ LINE B
SCALE 1"=1'-0"



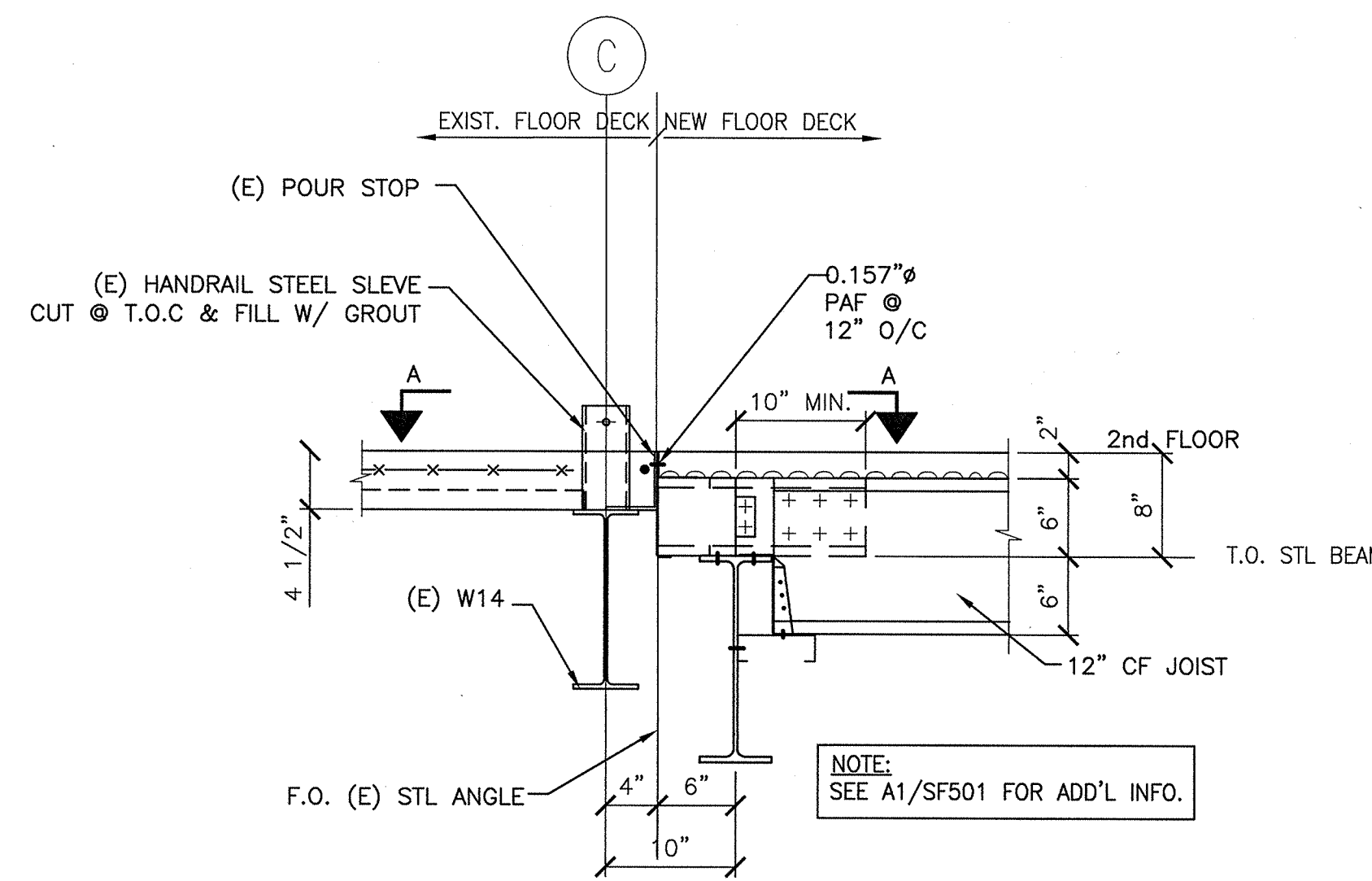
G10 SECTION @ HEADER H1, H2, H3
SCALE 1 1/2"=1'-0"



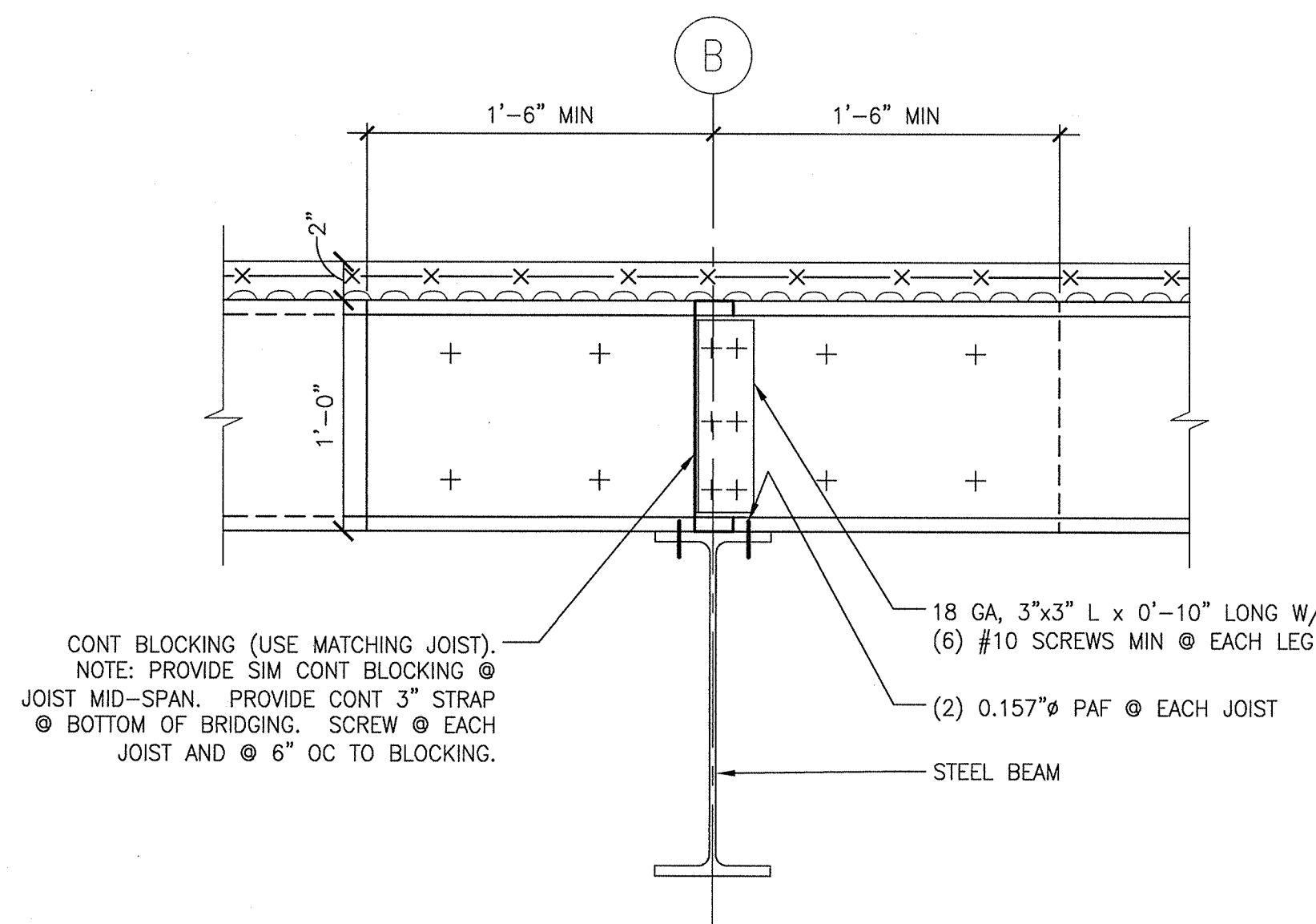
E10 SECTION @ JAMB 1
SCALE 1 1/2"=1'-0"



A1 SECTION
SCALE 1"=1'-0"



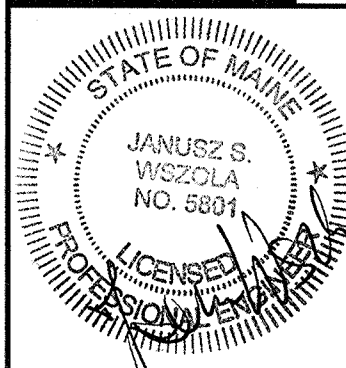
A6 SECTION
SCALE 1"=1'-0"



A10 SECTION
SCALE 1 1/2"=1'-0"

144 Fox Street, PO Box 818
Portland, Maine 04108
Tel: (207) 772-3848
Fax: (207) 772-1070
www.earthinc.com

ARCHITECTURE
ENGINEERING
PLANNING
INTERIORS
ENERGY



PROJECT NORTH:

CIANCHETTE SCOUT SERVICE
BUILDING RENOVATION
SOUTH PORTLAND, MAINE

ISSUED FOR CONSTRUCTION
11-25-14

CURRENT ISSUE STATUS:

REV	DESCRIPTION	DATE

GRAPHIC SCALE:

SCALE: AS NOTED
PROJECT MANAGER: JSW
JC/DRAWN BY: SJF/SJF
A/E OF RECORD: JSW
PROJECT NO: 14179
SMRT FILE: SF501-14179
DATE: 11/25/14

SHEET TITLE:
STRUCTURAL SECTIONS AND DETAILS

SHEET No.
SF501

PROGRESS PRINT