

**D-3A PELTON & CRANE RF42 CABINET UTILITIES**  
NOT TO SCALE

**GENERAL NOTES:**  
-THIS DETAIL IS FOR INFORMATIONAL PURPOSES ONLY. DENTAL DEALER WILL PROVIDE INSTALLATION TEMPLATES FOR ANY EQUIPMENT IN QUESTION. REFER TO MANUFACTURER'S INSTALLATION GUIDE/TEMPLATE FOR ADDITIONAL INFORMATION.  
-LICENSED PLUMBERS AND ELECTRICIANS SHALL INSTALL ALL UTILITIES.  
-**ALL UTILITIES MUST CONFORM WITH PREVAILING LOCAL CODES.** NEITHER DENTAL DEALER NOR MANUFACTURER CAN BE HELD RESPONSIBLE FOR AN INSTALLATION WHICH DOES NOT MEET LOCAL ELECTRICAL AND PLUMBING CODES.  
-VERIFY WITH EQUIPMENT REP WHICH UTILITIES WILL BE RUN SUB-FLOOR VS. IN WALL.

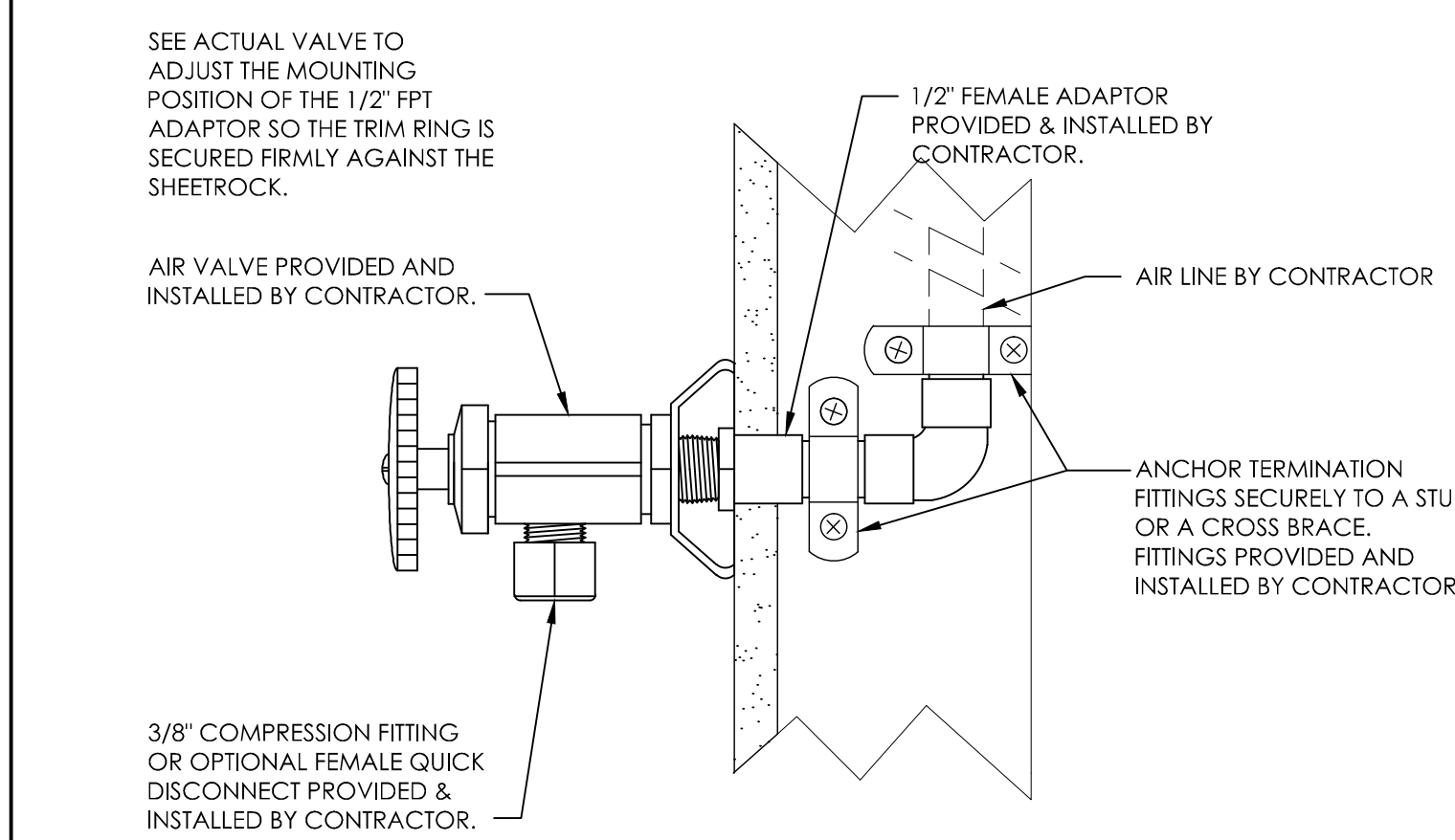
**AIR:** PLUMBING CONTRACTOR TO PROVIDE AND INSTALL A 1/2" COPPER (OR ACCEPTED) SUPPLY LINE FROM AIR COMPRESSOR TO THIS LOCATION. STUB-UP 1-2" FROM FLOOR AND TERMINATE WITH A 90° 1/2" x 3/8" COMPRESSION SHUT-OFF VALVE. FLUSH SYSTEM CLEAN PRIOR TO EQUIPMENT INSTALLATION.

**CENTRAL VACUUM:** PLUMBING CONTRACTOR TO PROVIDE A BRANCH LINE TO LOCATION SHOWN (SIZE PER CENTRAL VACUUM SUPPLIER). REDUCE TO A 1/2" SCH. 40 PVC (OR COPPER) RISER AT FLOOR. TERMINATE 1-2" ABOVE FINISHED FLOOR FOR CONNECTION TO EQUIPMENT.

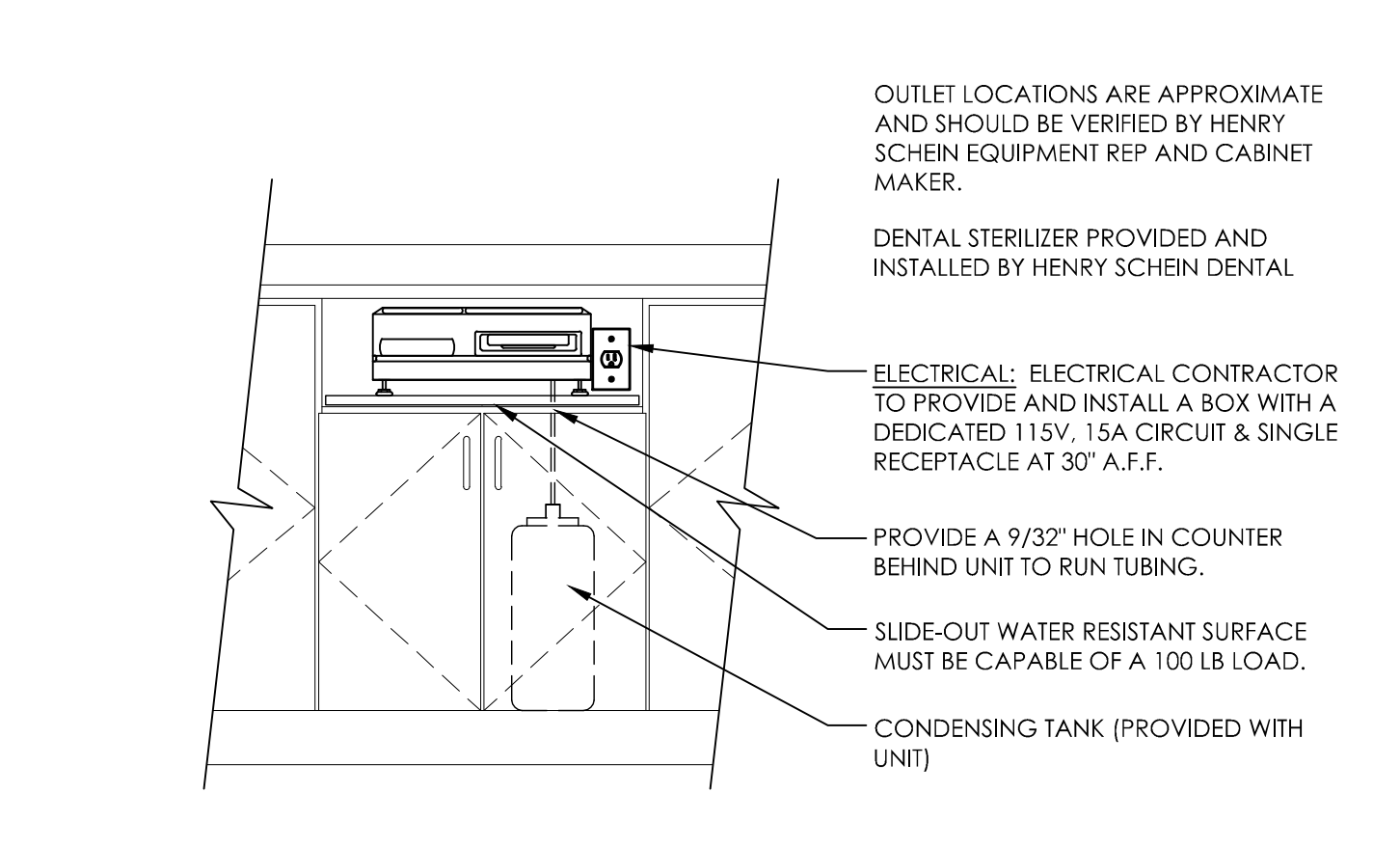
**CHASE:** ELECTRICAL CONTRACTOR TO PROVIDE A GRAY ELECTRICAL PVC PIPE CHASE WITH PULL-STRING SUB-FLOOR (SEE SPECS 4.4A SHEET SE.1 FOR SIZE AND LOCATIONS). 6" MIN. RADIUS FOR ALL BENDS. STUB-UP FLUSH WITH SUB-FLOOR. MARK LOCATION OF PIPE AT FINISH.

**ELECTRICAL:** ELECTRICAL CONTRACTOR TO PROVIDE AND INSTALL A 1/2" FLEX CONDUIT AND BOX WITH 115 QUAD (OR EQUAL) RECEPTACLE. WIRE BOX PER CODE WITH TOP NO HIGHER THAN 4-1/2" A.F.F.

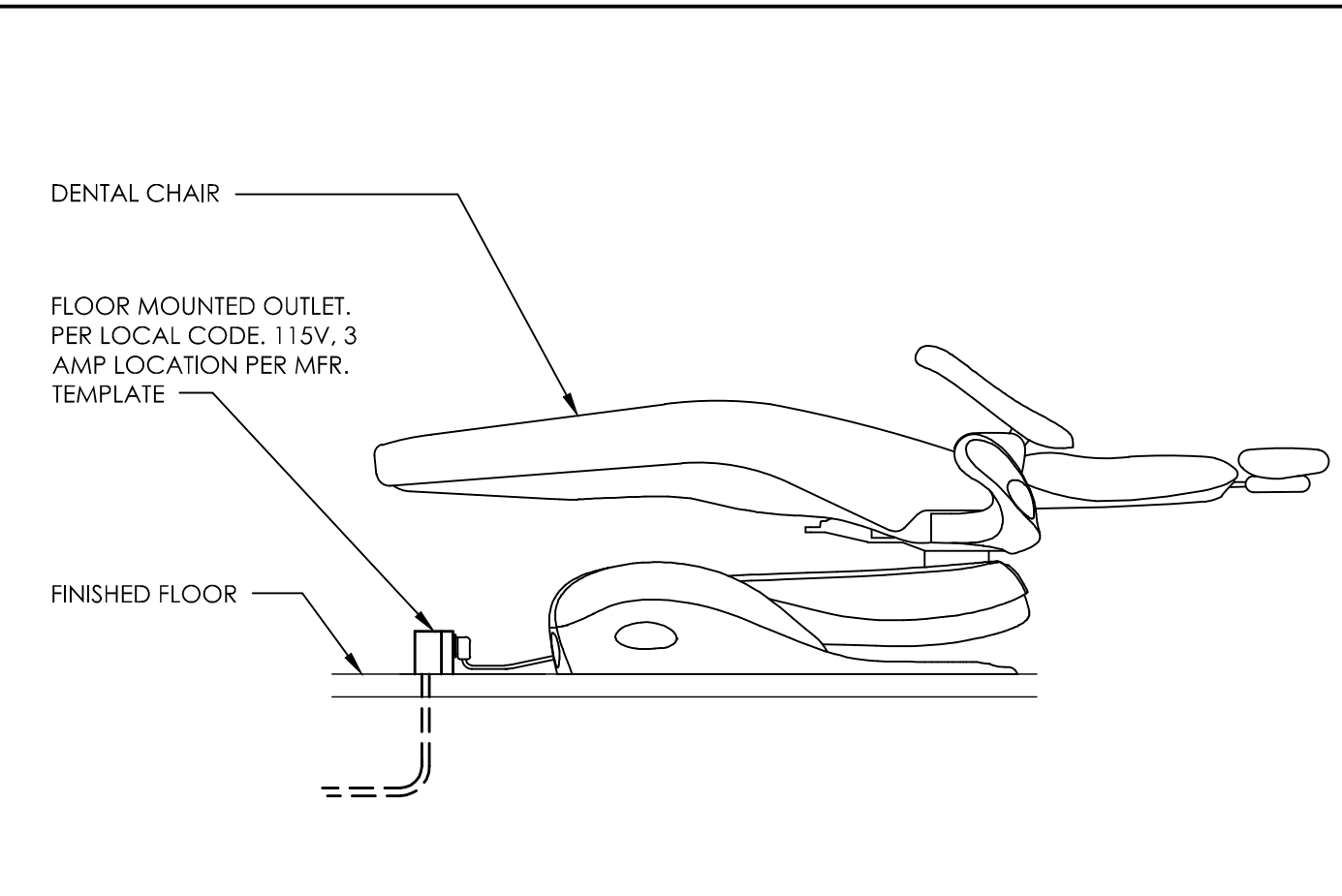
**NOTE:** MAXIMUM HEIGHT OF AIR VALVE SHOULD NOT EXCEED 5' (WHEN FULLY OPENED).



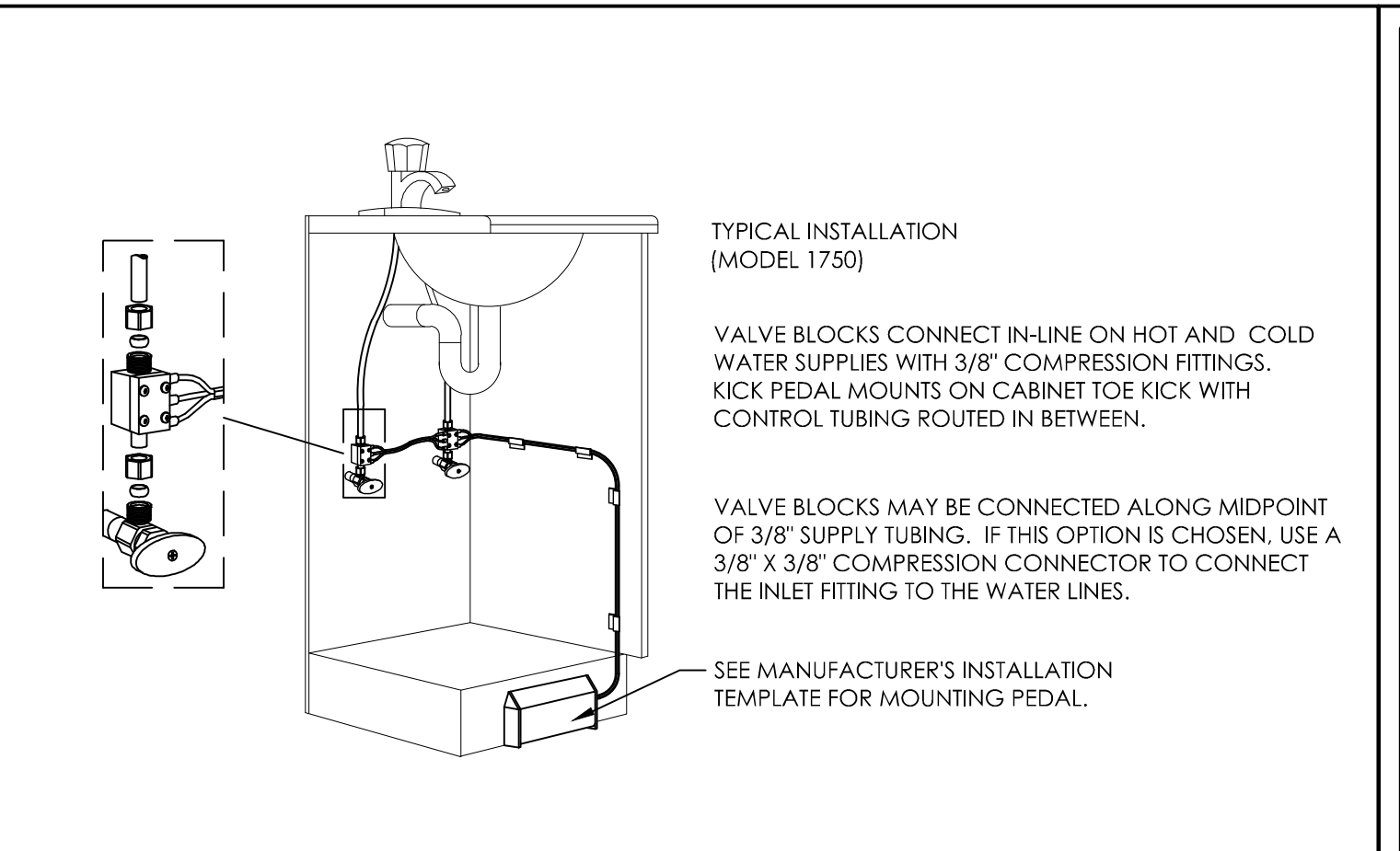
**D-13 AIR VALVE**  
NOT TO SCALE



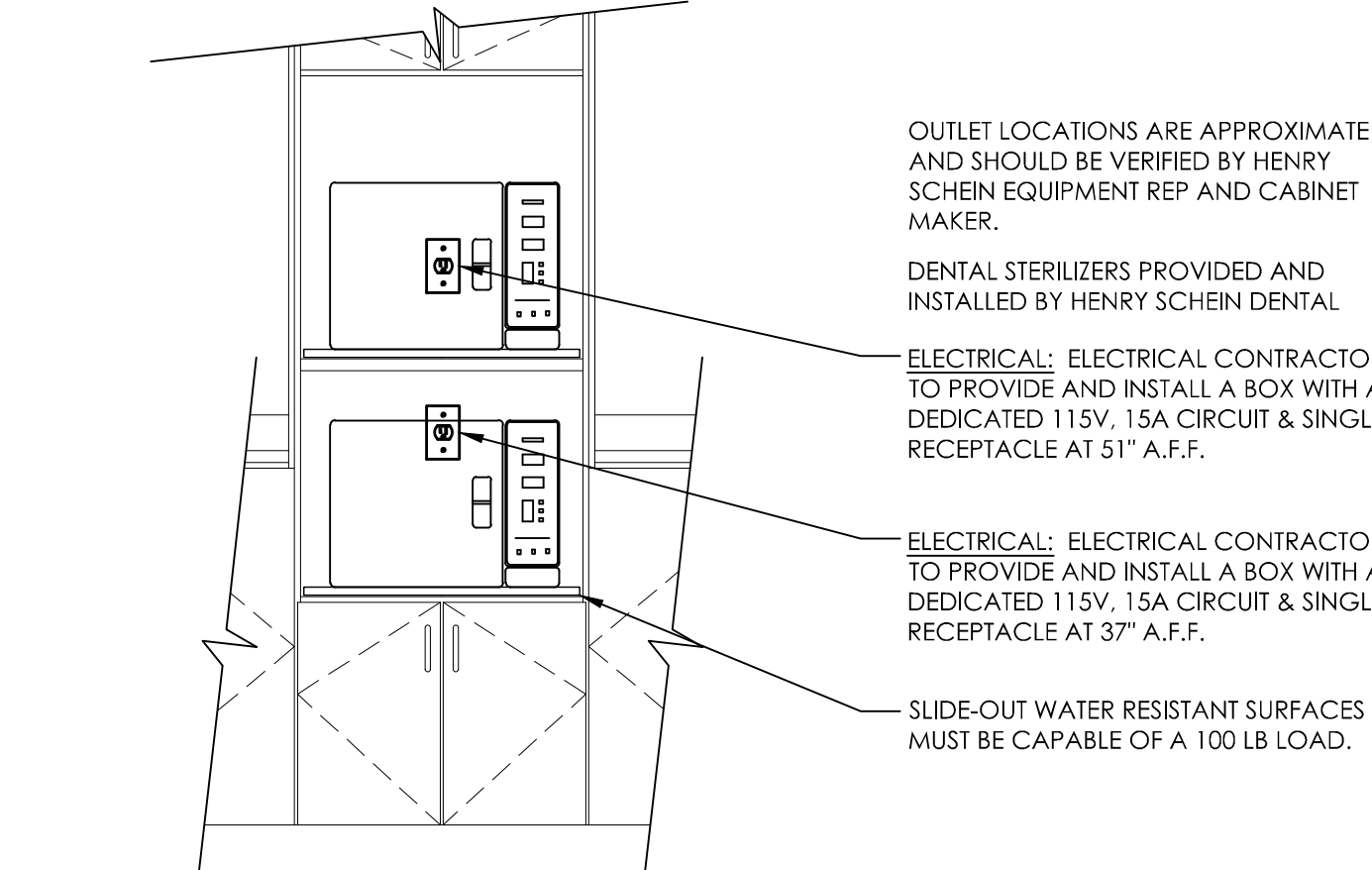
**D-14 DENTAL STERILIZER (STATIM)**  
NOT TO SCALE



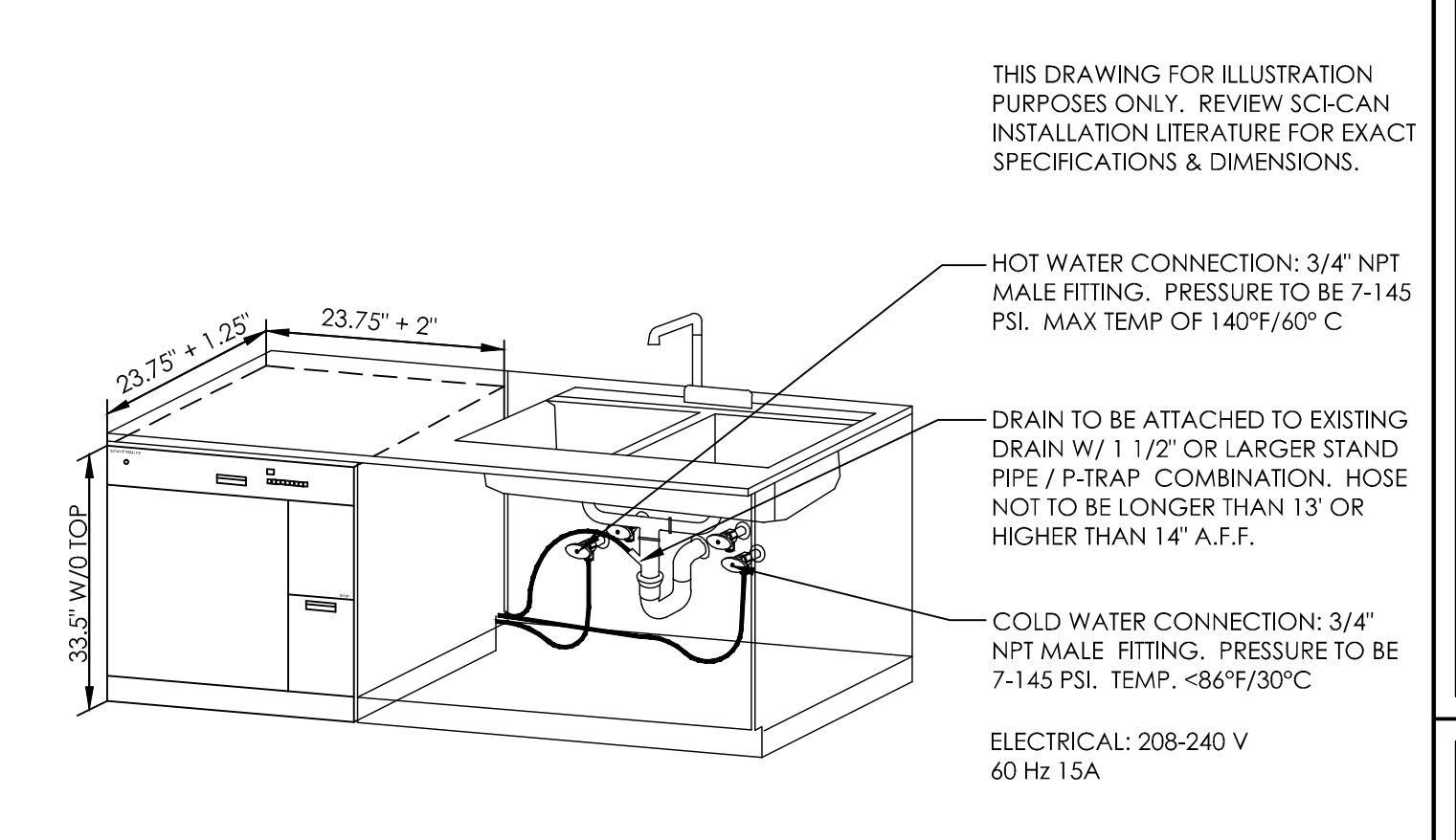
**D-5 FLOOR-MOUNTED CHAIR OUTLET**  
NOT TO SCALE



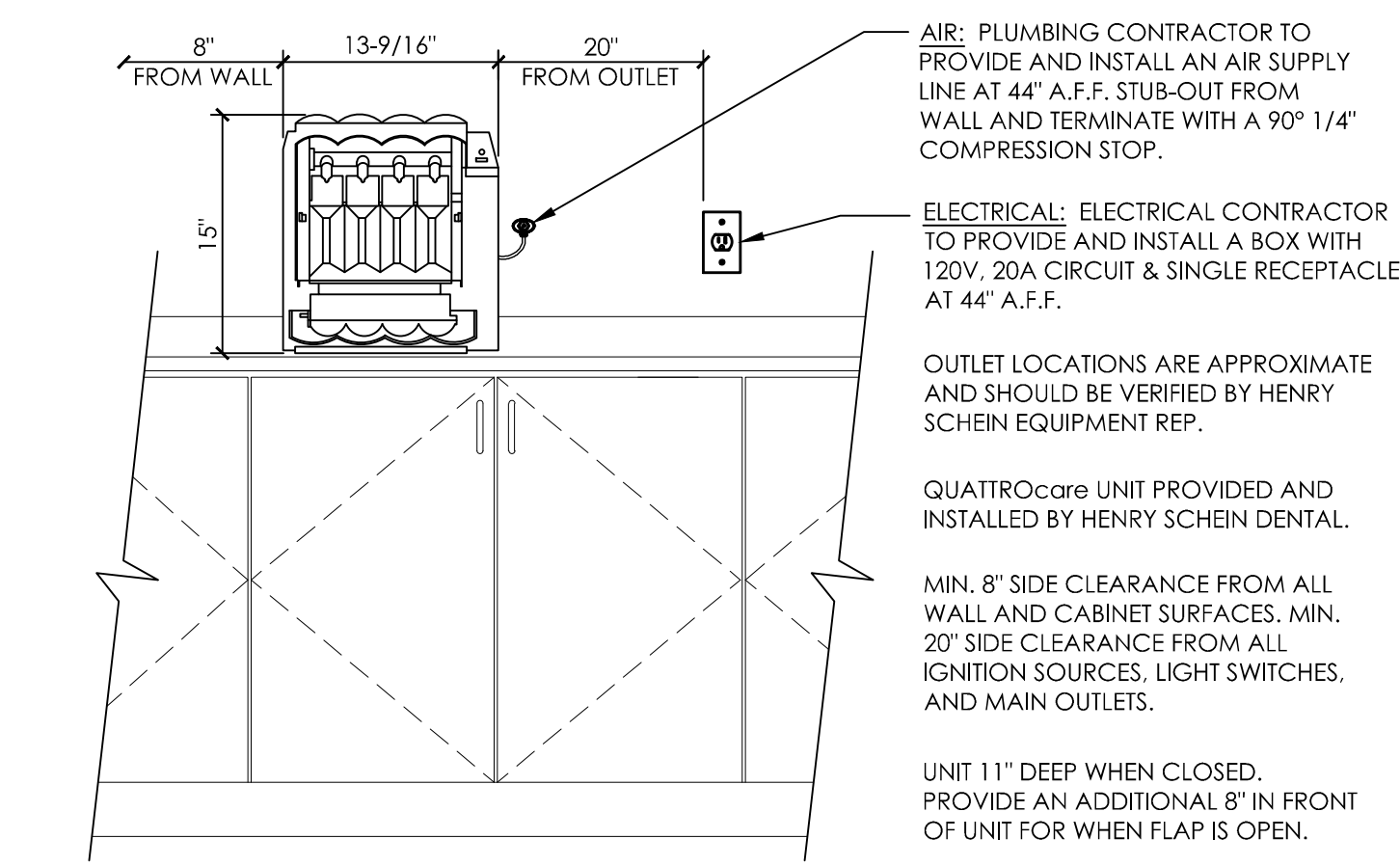
**D-12B TAPMASTER FAUCET CONTROL**  
NOT TO SCALE



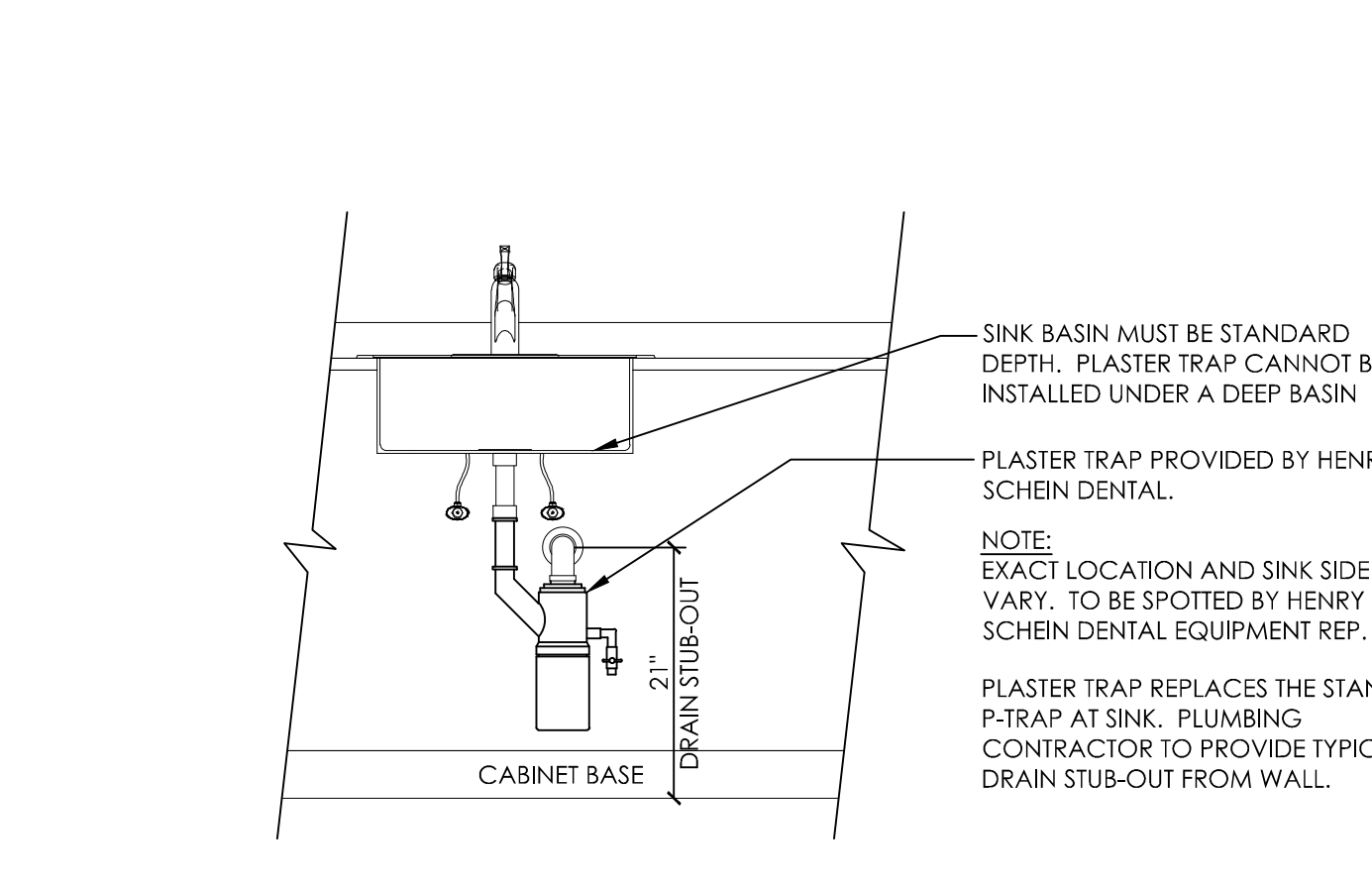
**D-14A STACKED STERILIZERS (AUTOCLAVES)**  
NOT TO SCALE



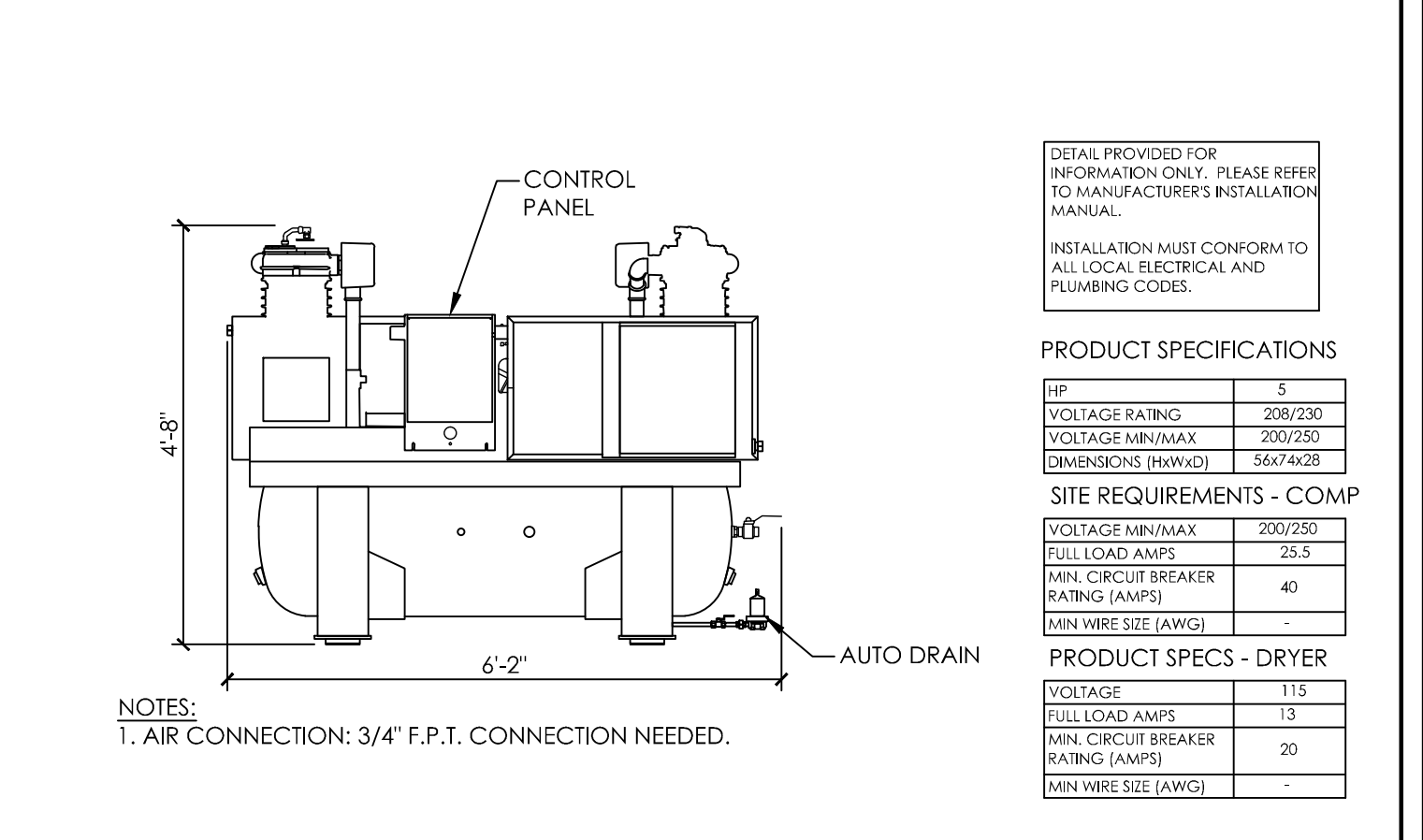
**D-15A HYDRIM INSTRUMENT WASHER**  
NOT TO SCALE



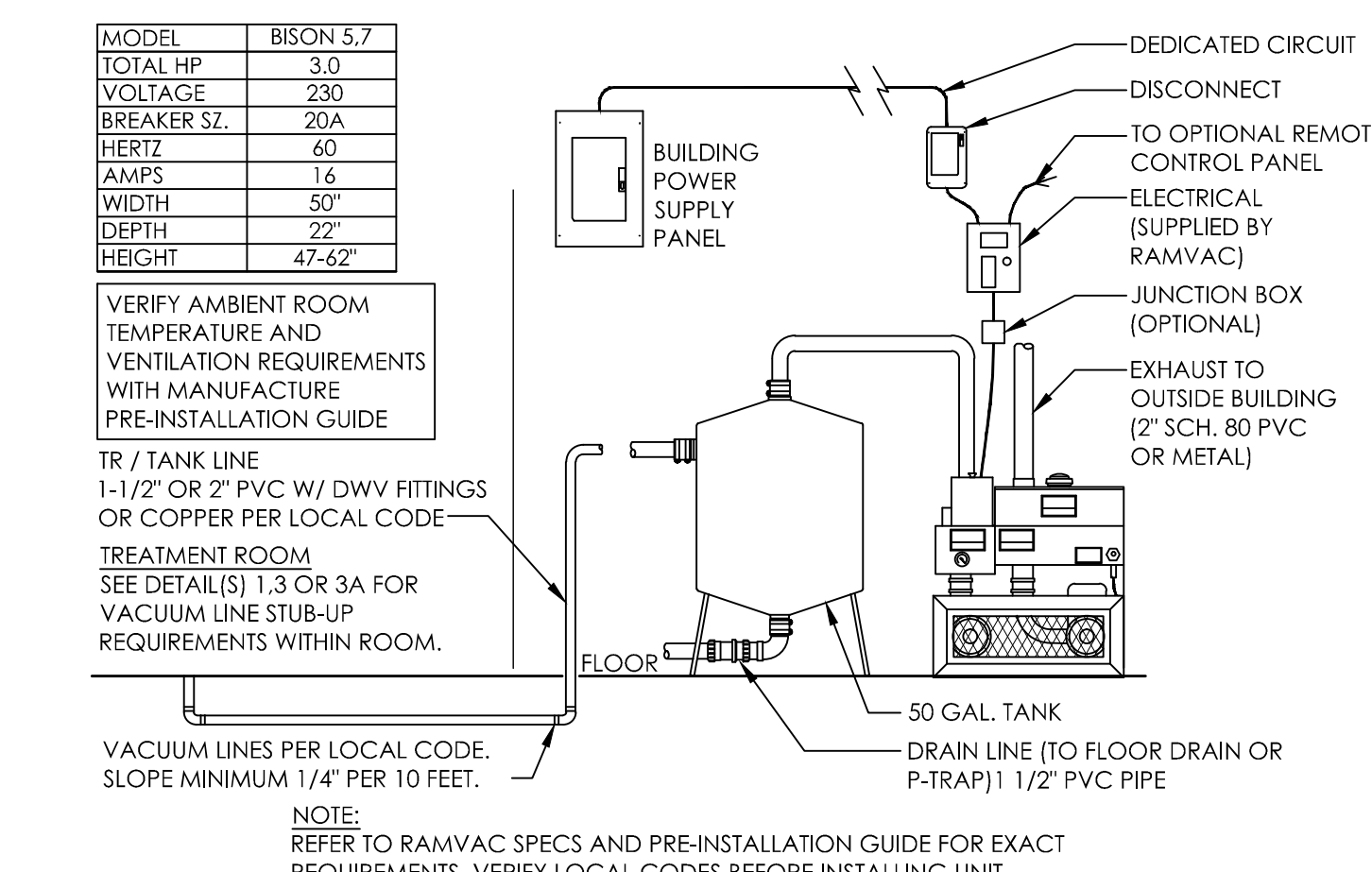
**D-15B KAVO QUATTROcare**  
NOT TO SCALE



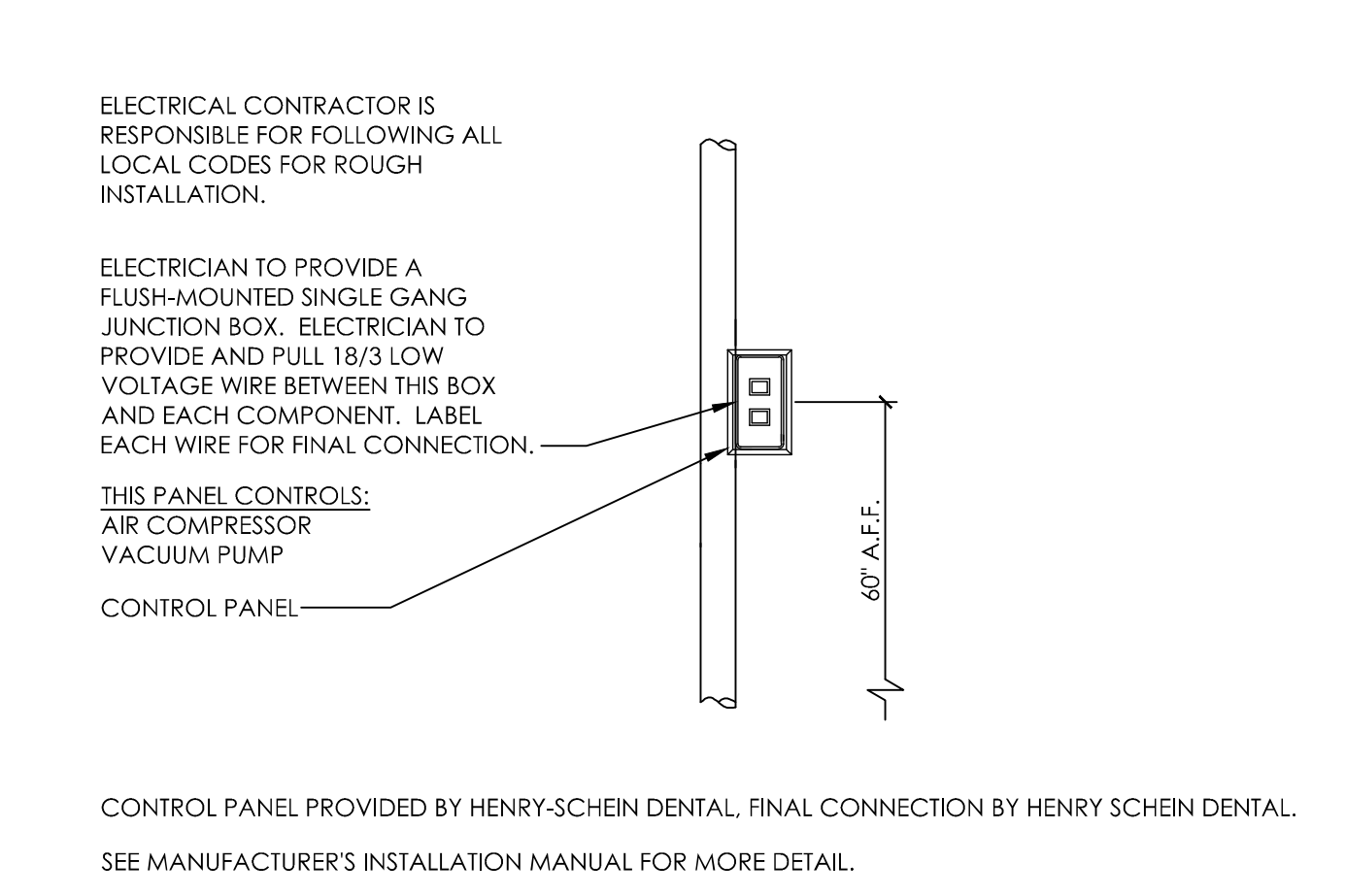
**D-17 GLECO PLASTER TRAP**  
NOT TO SCALE



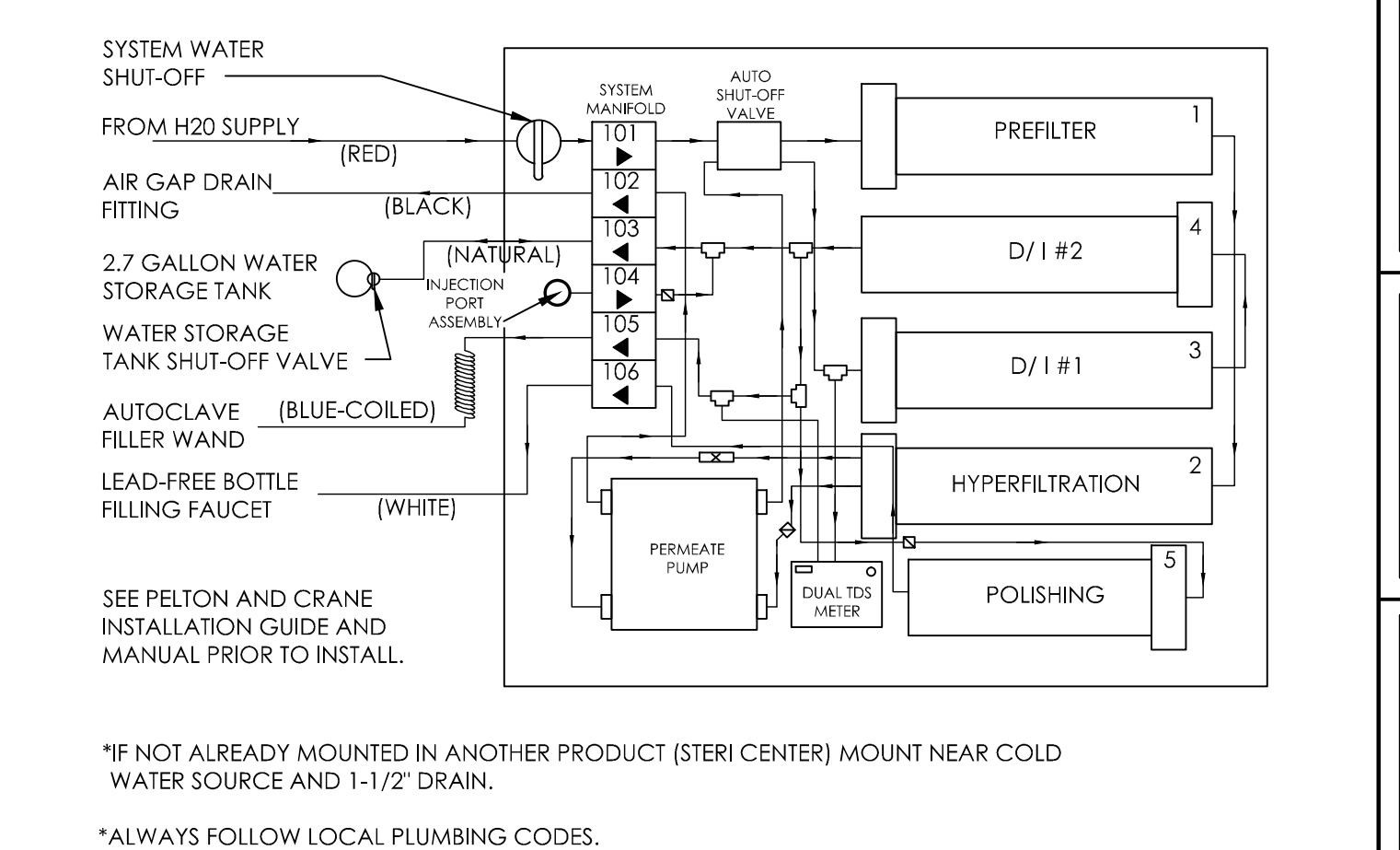
**D-25 TECH WEST ACL20D5 AIR COMPRESSOR**  
NOT TO SCALE



**D-27A RAMVAC BISON 5 OR 7 VACUUM**  
NOT TO SCALE



**D-32B RAMVAC CONTROL PANEL**  
NOT TO SCALE



**D-30C PELTON & CRANE VISTAPURE**  
NOT TO SCALE

**HENRY SCHEIN®**  
DENTAL  
10920 WEST LINCOLN AVENUE  
WEST ALLIS, WI 53227

**PROSTHODONTIC ASSOCIATES**  
PROJECT:  
131 JOHNSON ROAD  
PORTLAND, ME 04102  
LOCATION:

HENRY SCHEIN REP:  
JESSE LEVIELLE  
CENTER:  
BOSTON, MA  
PHONE #:  
(207) 233-4978

**IMPORTANT NOTE:**  
THIS DOCUMENT HAS BEEN PREPARED AS AN INSTRUMENT OF PROFESSIONAL SERVICE, AND IS NOT AN ARCHITECTURAL PLAN. IDEAS/DESIGNS INCLUDED HEREIN ARE THE SOLE PROPERTY OF HENRY SCHEIN DENTAL, AND ARE PRODUCED UNDER COPYRIGHT. THEY MAY NOT BE USED OR REPRODUCED WITHOUT EXPRESSED WRITTEN CONSENT OF HENRY SCHEIN AND FULL PAYMENT OF ANY ASSOCIATED DESIGN FEES.  
**ALL DIMENSIONS ARE SUBJECT TO JOB-SITE VERIFICATION.**

DRAWING NAME:  
PROSTHO-3c-F  
PROJECT START DATE:  
06/06/2013  
FINALS START DATE:  
08/15/2014  
DRAWN BY: AKL/CAS  
CHECKED BY: AKL KS

REVISIONS:  
08/22/14 AKL  
10/22/14 AKL  
---  
---  
---  
---  
INT.SQ.FT. = 5167

SCALE: SH. SIZE:  
SEE DTL. D  
**MECHANICAL DETAILS**

**SPE.1**