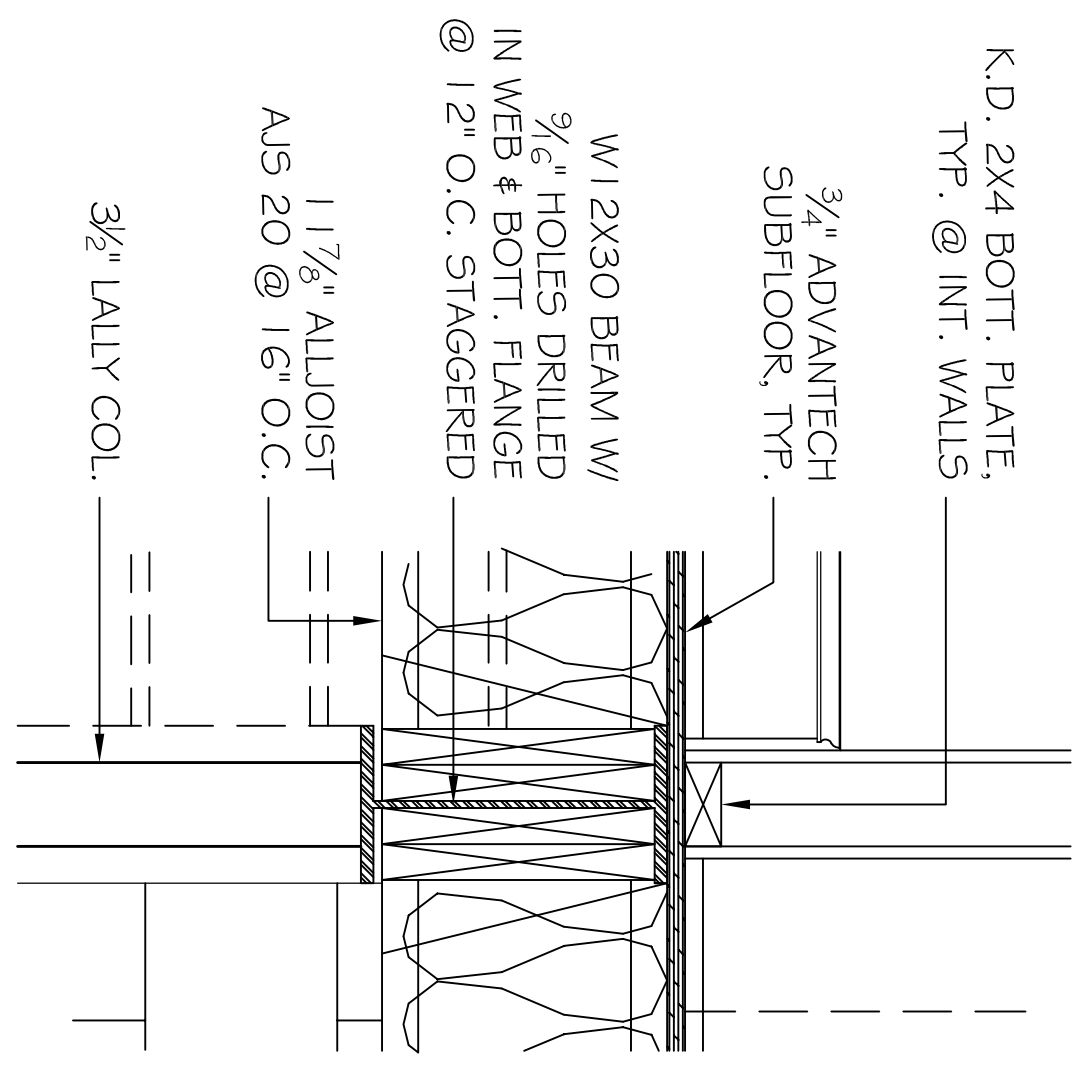
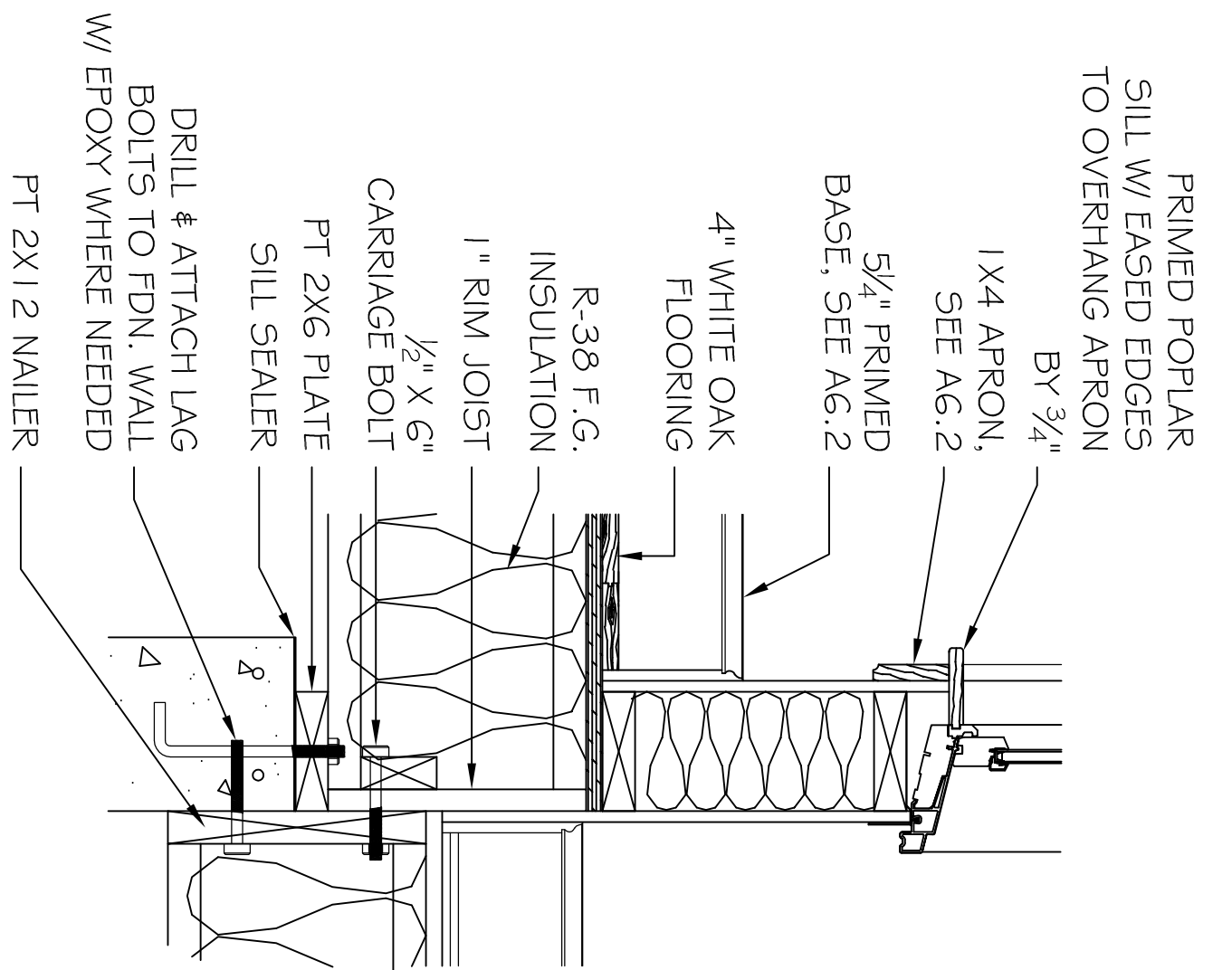


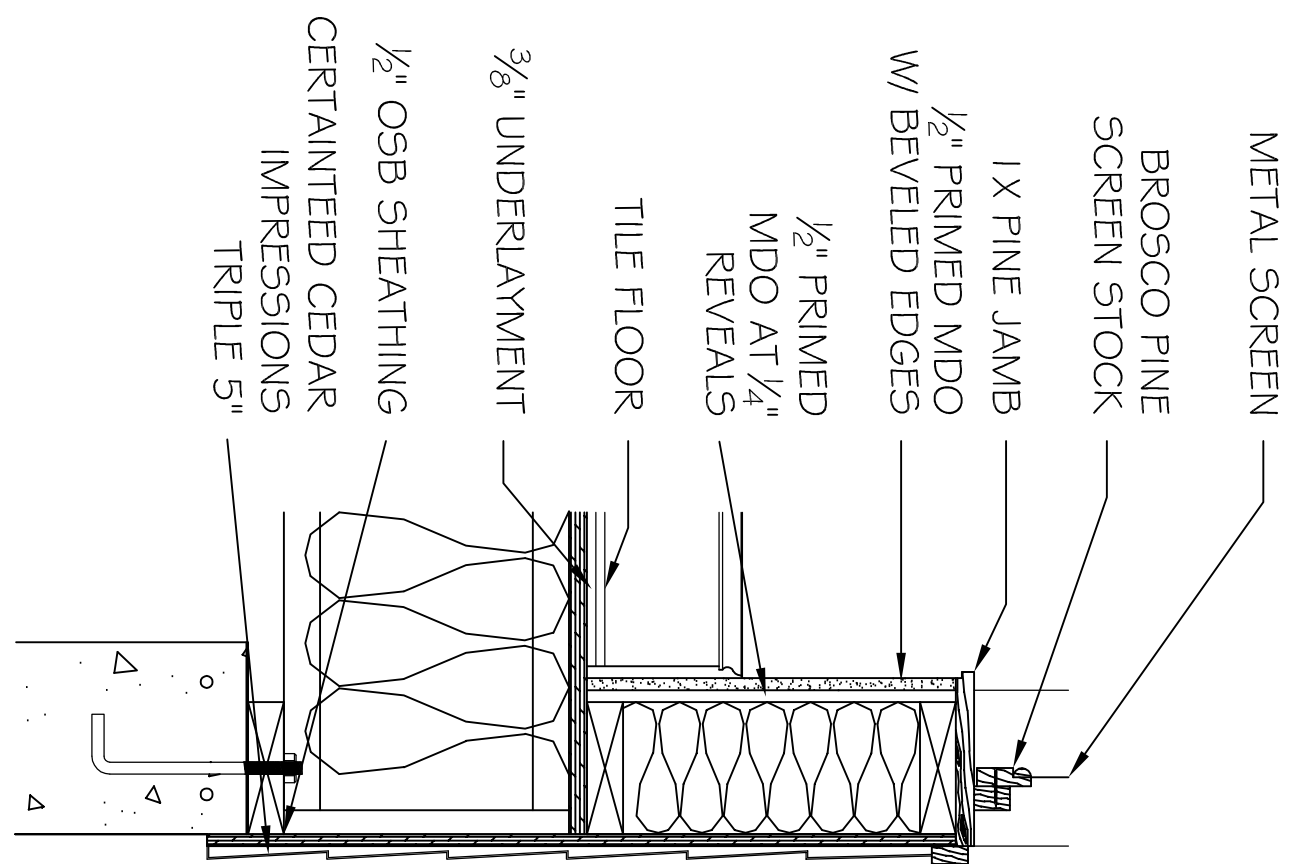
1 DETAIL @ FOUNDATION WALL
1/2" = 1'-0"



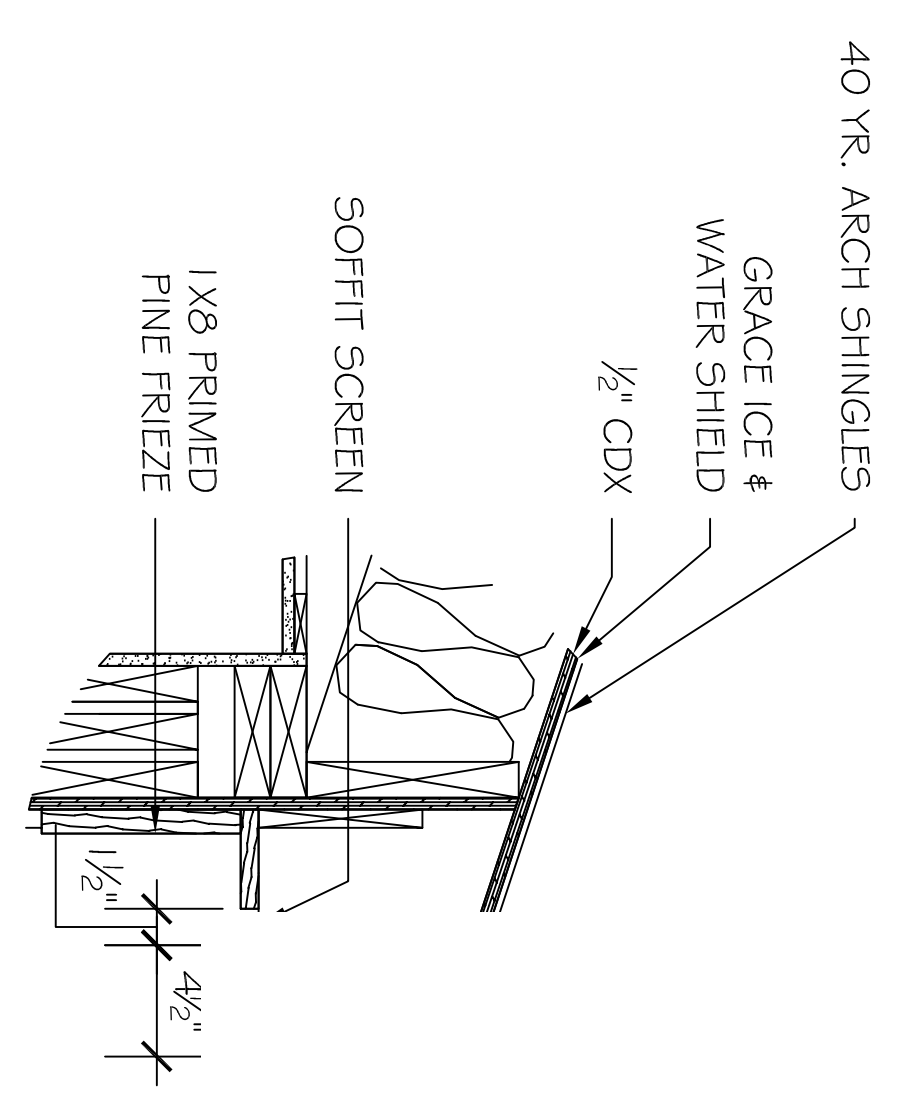
2 DETAIL @ CENTER BEAM
1/2" = 1'-0"



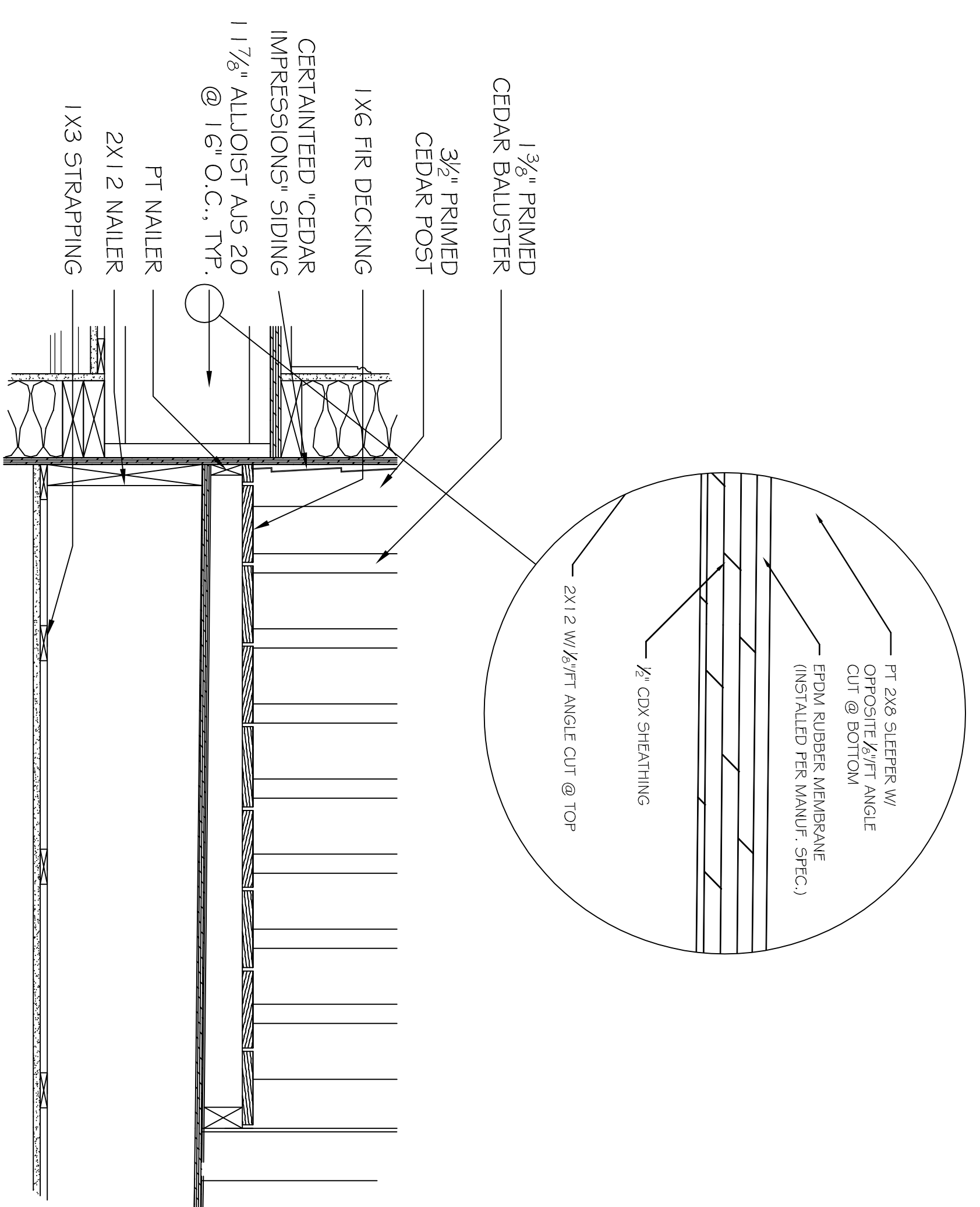
3 DETAIL @ DECK TRANSITION
1/2" = 1'-0"



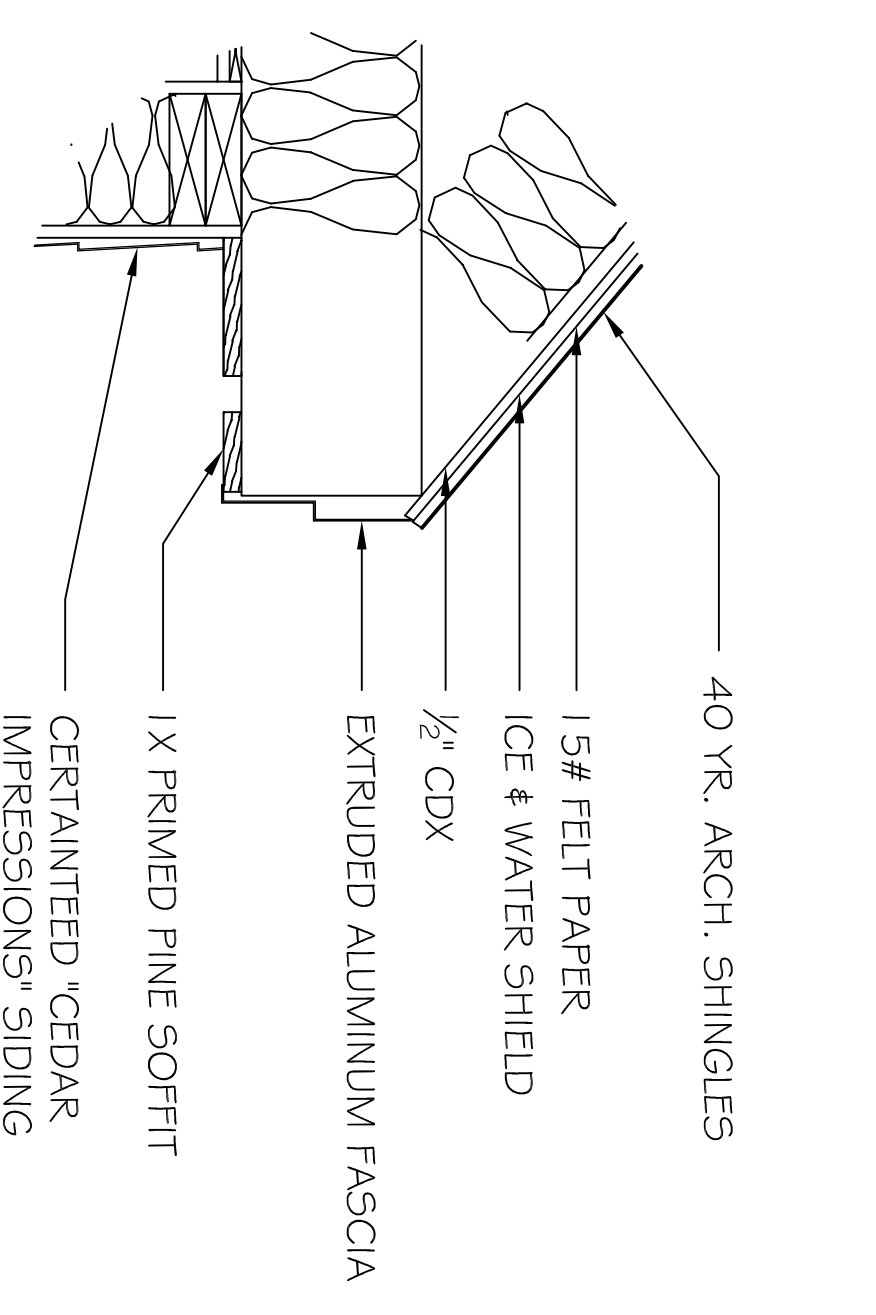
4 DETAIL @ SUNROOM WALL
1/2" = 1'-0"



5 SUNROOM ROOF DETAIL
1/2" = 1'-0"



6 SECTION AT ROOF DECK
1/2" = 1'-0"



7 DETAIL @ SUNROOM SOFFIT
1/2" = 1'-0"

Not For Construction

HUTCHINS
DESIGN & BUILD

9 Woodland Drive
Waterboro, Maine
04087
207.409.6584
hutchinsdesignandbuild.com

Casey Residence
127 River's Edge Dr
Portland, Maine

Sheet Title:
Detail

Date:
12.01.09.
Scale:
3/8" = 1'-0"
Revisions:

Sheet Number:
A5.1