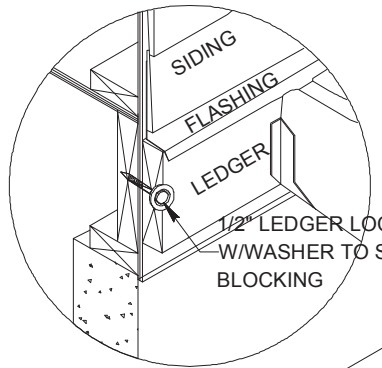
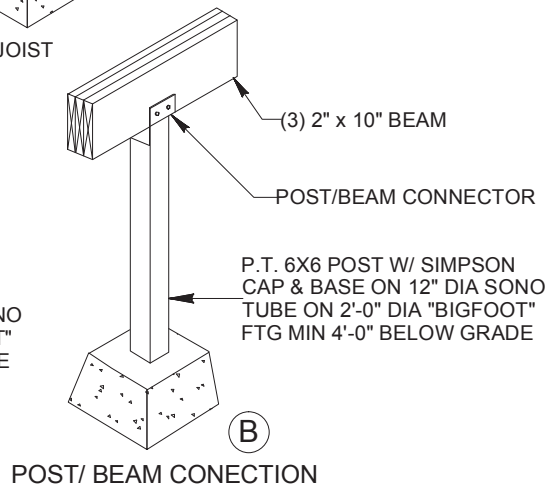
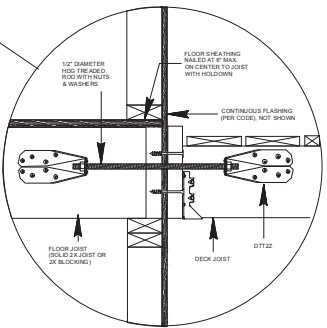
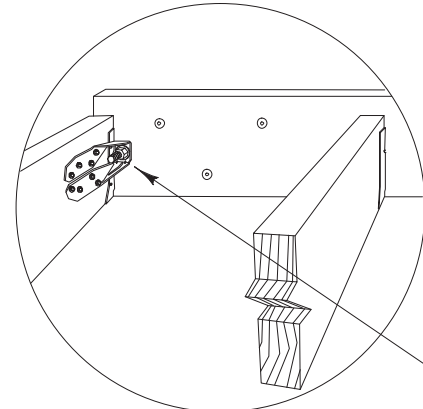
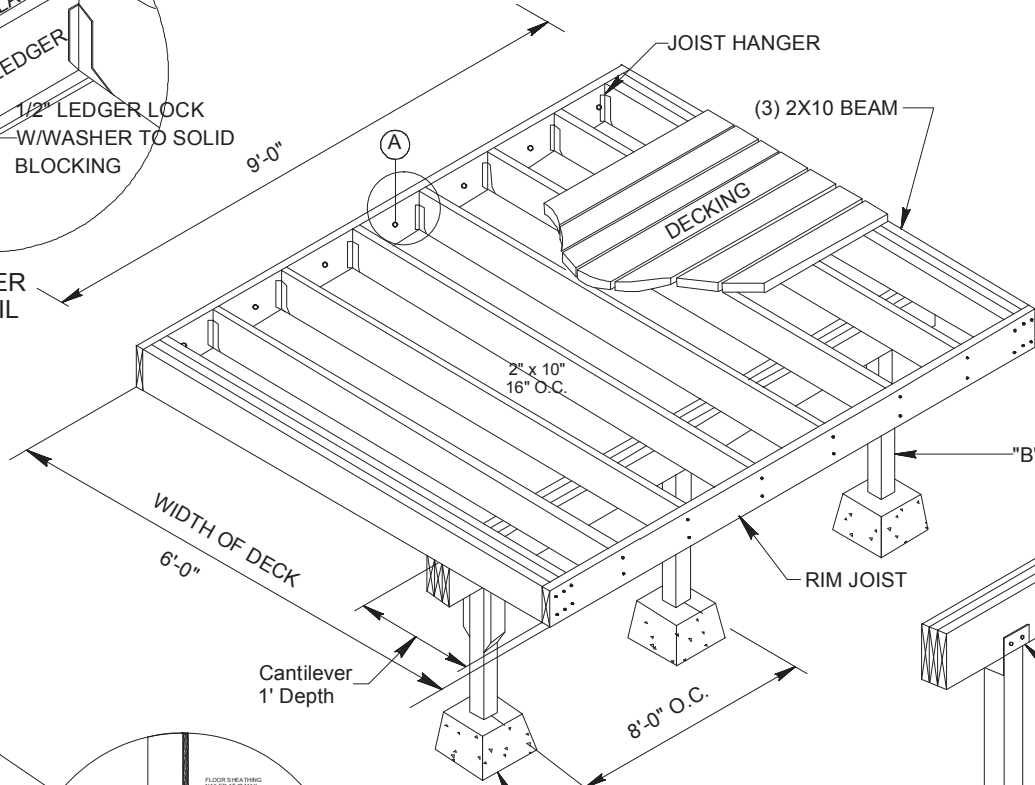


Simpson Strong-Tie
HB

Drawn for:
Bill Fogel
67 Kingsmark Lane
Portland, ME. 04102
899-9697



A LEDGER
DETAIL



John Bowden
Bowden Custom Homes
346 Cobbs Bridge Rd
New Gloucester, ME 04260

Revised:

Date:
11/3/2016