



# Your All Fuel Stove Venting Solution

For more Information visit us online @ [www.supervent.com](http://www.supervent.com)

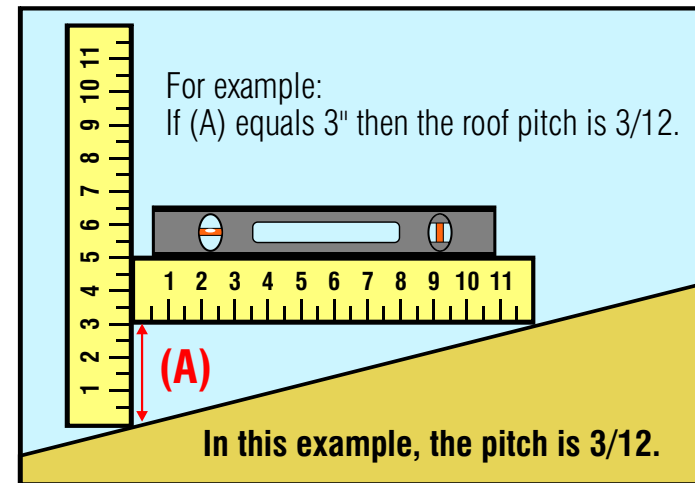
## Step 3

### Choose the proper Roof Flashing required for your installation.

To determine what roof flashing you will require, you will have to work out the pitch of your roof. To determine the pitch of your roof, all you will need is two rulers and a level.

#### ROOF FLASHING SELECTION CHART

To calculate your roof pitch use one of the 12 inch rulers to measure the number of inches (A) from the end of the other ruler down to the roof. (as shown in the illustration below)



#### 6" Chimney Diameter:

0/12 - 6/12 Roof Pitch = **JSC6AAF** (Low Slope)  
6/12 - 12/12 Roof Pitch = **JSC6AF2** (Steep Slope)

#### 8" Chimney Diameter:

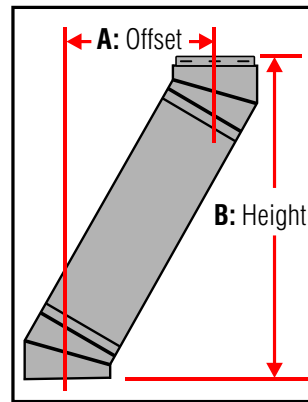
0/12 - 6/12 Roof Pitch = **JSC8AAF** (Low Slope)  
6/12 - 12/12 Roof Pitch = **JSC8AF2** (Steep Slope)

#### NOTE: for Metal Roofs use:

Universal Rubber Boot Flashing Kit = **JURBFK1**

## Step 4

If an offset is required to avoid rafters or other obstructions, measure the horizontal distance required and the vertical height available, refer to the Chimney Offset Chart below.



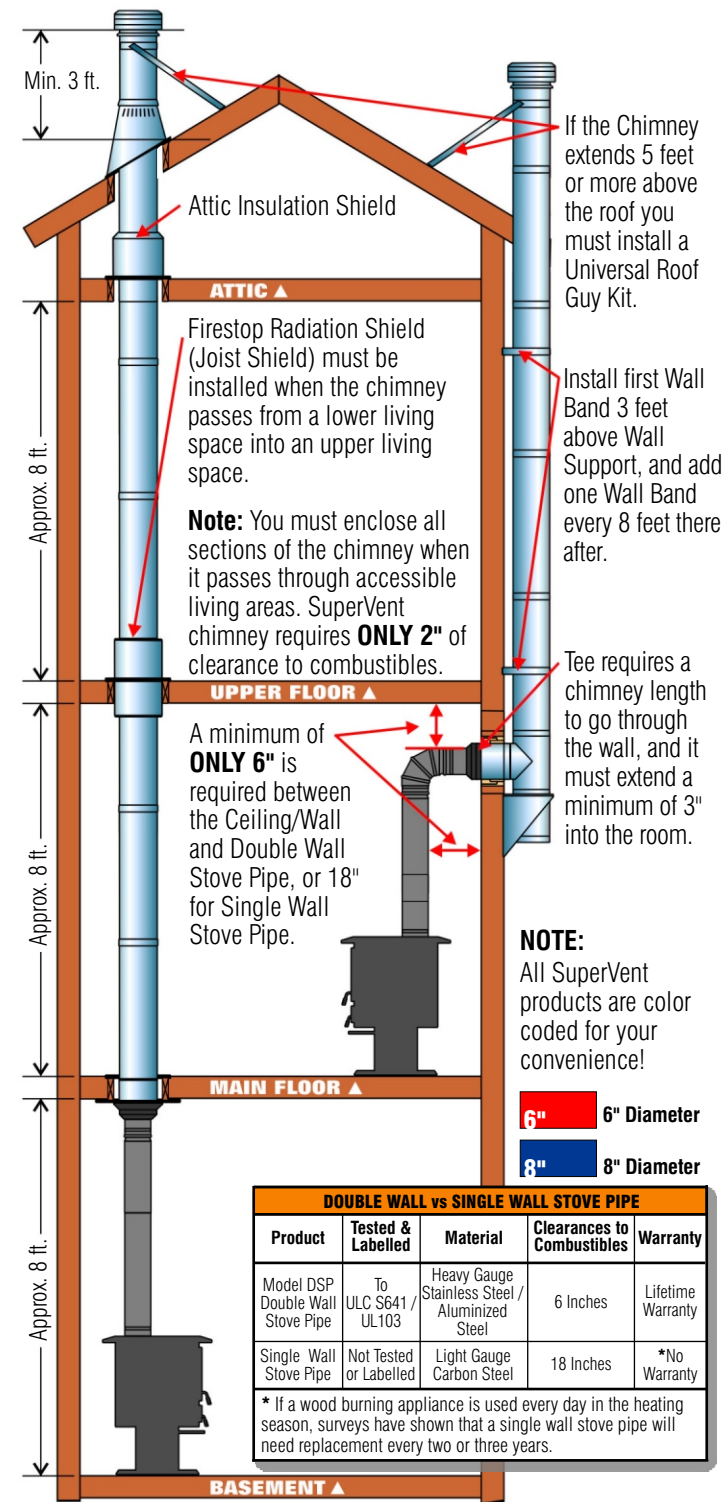
If the Offset (A) and/or Height (B) is not listed in the Chimney Offset Chart below please consult the Installation Instructions. Additional Offsets and Heights are also available online @ [www.supervent.com](http://www.supervent.com)

#### CHIMNEY OFFSET CHART

15° OFFSET CHART					
Elbow	Chimney Lengths	6" Diameter		8" Diameter	
		A	B	A	B
2x15°	no chimney length	1-1/8"	10"	1-1/4"	10-3/8"
2x15°	6" chimney length	2-3/8"	14-1/4"	2-1/2"	15-5/8"
2x15°	12" chimney length	4"	20-1/2"	4-1/8"	21"
2x15°	24" chimney length	7"	32"	7-1/8"	32-1/2"
2x15°	36" chimney length	10-1/4"	43-5/8"	10-1/4"	44-1/8"

30° OFFSET CHART					
Elbow	Chimney Lengths	6" Diameter		8" Diameter	
		A	B	A	B
2x30°	no chimney length	2-3/4"	11-5/8"	3-1/2"	14-1/2"
2x30°	6" chimney length	5-1/4"	15-7/8"	6"	18-3/8"
2x30°	12" chimney length	8-1/4"	21"	9"	24"
2x30°	24" chimney length	14-1/4"	31-3/8"	15"	32-3/8"
2x30°	36" chimney length	20-1/4"	41-7/8"	21"	44-3/4"

## Helpful Installation Tips



DOUBLE WALL vs SINGLE WALL STOVE PIPE				
Product	Tested & Labelled	Material	Clearances to Combustibles	Warranty
Model DSP Double Wall Stove Pipe	To ULC S641 / UL103	Heavy Gauge Stainless Steel / Aluminized Steel	6 Inches	Lifetime Warranty
Single Wall Stove Pipe	Not Tested or Labelled	Light Gauge Carbon Steel	18 Inches	*No Warranty

\* If a wood burning appliance is used every day in the heating season, surveys have shown that a single wall stove pipe will need replacement every two or three years.

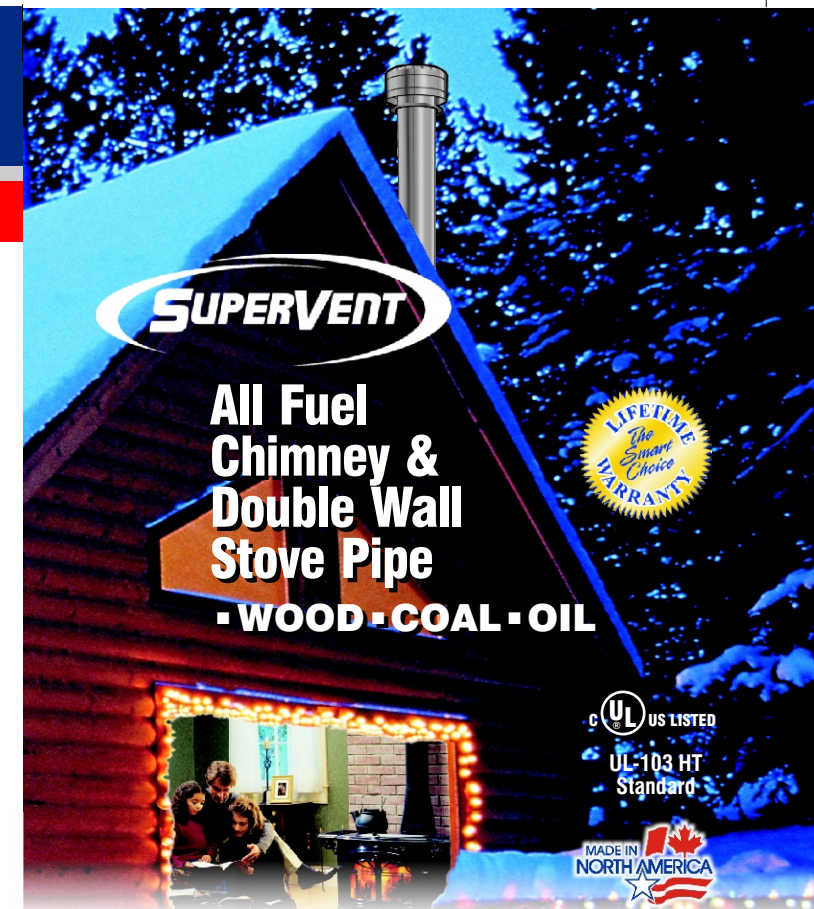


Reduce, Reuse, Recycle  
Our literature is printed on recyclable paper

R&B #3803 01-09 SuperVent U.S.A.(CR)

## Step 5

The final step required to complete your Wood Stove Venting solution is to determine the Model DSP Double Wall Stove Pipe parts that will be needed to complete your installation. (refer to Step 1 Installation Diagrams)



## Getting Started

Before you begin, determine the (inner) diameter of your Chimney.

This is usually the same size (6" or 8") as the flue collar on your wood stove.





# All Fuel Chimney & Double Wall Stove Pipe

WOOD COAL OIL



## Step 1 Select type of installation by determining where your chimney will run.

NOTE: An asterisk (\*) denotes your choice of 6" or 8" diameter. (Installations may vary, please refer to the installation instructions @ www.supervent.com)

### Decorator Ceiling Support Kit

Parts identified by  are Included in Kit.

- Deluxe Rain Cap
- Chimney Lengths

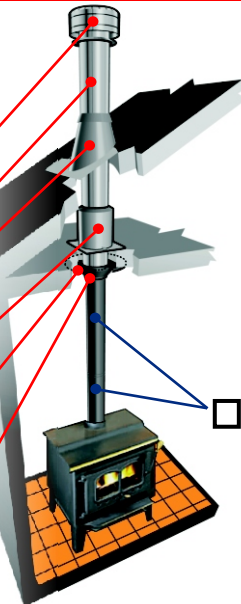
- Roof Flashing with Storm Collar

- Attic Insulation Shield

- Ceiling Support

- Stove Pipe Adaptor

Note: If your Chimney runs more than 50' you must install a Roof Support. (JSC\*RS)



- Telescopic Length includes Finishing Band

### SUPERVENT CHIMNEY PARTS LISTING

#### Part #'s

Decorator Ceiling Support Kit	JSC*DSCSK
Chimney Lengths (See Step 2)	
36" Length	JSC*SA3
24" Length	JSC*SA2
18" Length	JSC*SA18
12" Length	JSC*SA1
6" Length	JSC*SA6
Locking Band (Recommended for every Chimney Length)	JSC*SLB
Roof Flashing with Storm Collar (See Step 3)	
Adjustable 0/12 to 6/12	JSC*AAF
Adjustable 6/12 to 12/12	JSC*AF2
Rubber Boot Flashing Kit	JURBFK1
Storm Collar	JSC*SC-1
Firestop Radiation Shield (for 2 storey installation)	JSC*FRS
Universal Roof Guy Kit (see Helpful Installation Tips)	JURGK-1
If Offset is Required add one (See Step 4)	
150° Elbow Kit (kit contains 2 elbows)	JSC*SEK
300° Elbow Kit (kit contains 2 elbows)	JSC*SE3K
JUSI	JUSI

### Model DSP Double Wall Stove Pipe Parts Listing

Universal Chimney Adaptor	DSP*CA
Telescopic Length installs from 38" to 68"	DSP*TL
Adjustable Length installs from 12" to 18"	DSP*AL-1
36" Fixed Length	DSP*P36-1
24" Fixed Length	DSP*P24-1
12" Fixed Length	DSP*P12-1
45° Elbow	DSP*E4-1
Tee Section	DSP*TE-1
Damper Kit	DSP*DK-1
Stove Adaptor	DSP*SA-1
Universal Finishing Band	DSP*FB

### Wall Support Kit

Parts identified by  are Included in Kit.

- Deluxe Rain Cap
- Chimney Lengths
- 2 Wall Bands
- Through-The-Wall Chimney Length
- Insulated Tee & Plug
- Wall Thimble
- 12" Pipe Length
- Stove Pipe Adaptor
- Adjustable Wall Support

- Roof Flashing with Storm Collar
- Finishing Plate
- Adjustable Length includes Finishing Band
- 90° Elbow
- Telescopic Length includes Finishing Band

- Roof Flashing with Storm Collar

- Cathedral Ceiling Support
- Stove Pipe Adaptor

- Telescopic Length includes Finishing Band

- 24" Fixed Length

- Telescopic Length includes Finishing Band

- Telescopic Length includes Finishing Band

- Telescopic Length includes Finishing Band

### SUPERVENT CHIMNEY PARTS LISTING

#### Part #'s

Wall Support Kit	JSC*WSK
Chimney Lengths (See Step 2)	
36" Length	JSC*SA3
24" Length	JSC*SA2
18" Length	JSC*SA18
12" Length	JSC*SA1
6" Length	JSC*SA6
Locking Band (Recommended for every Chimney Length)	JSC*SLB
Wall Band (see Helpful Installation Tips)	JSC*WB
Through-the-Wall 12" Chimney Length	JSC*SA1
If Chimney passes through soffit use a finishing plate & flashing	
Roof Flashing with Storm Collar (See Step 3)	
Adjustable 0/12 to 6/12	JSC*AAF
Adjustable 7/12 to 12/12	JSC*AF2
Finishing Plate	JSC*FP
Rubber Boot Flashing Kit	JURBFK1
Universal Roof Guy Kit (see Helpful Installation Tips)	JURGK-1
JUSI	JUSI

### Model DSP Double Wall Stove Pipe Parts Listing

Universal Chimney Adaptor	DSP*CA
Telescopic Length installs from 38" to 68"	DSP*TL
Adjustable Length installs from 12" to 18"	DSP*AL-1
36" Fixed Length	DSP*P36-1
24" Fixed Length	DSP*P24-1
12" Fixed Length	DSP*P12-1
90° Elbow	DSP*E9-1
Tee Section	DSP*TE-1
Damper Kit	DSP*DK-1
Stove Adaptor	DSP*SA-1
Universal Finishing Band	DSP*FB

### Cathedral Ceiling Support Kit

Parts identified by  are Included in Kit.

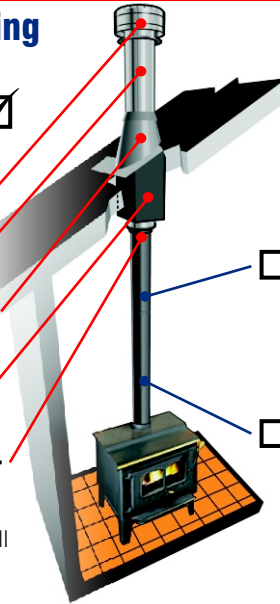
- Deluxe Rain Cap
- Chimney Lengths

- Roof Flashing with Storm Collar

- Cathedral Ceiling Support

- Stove Pipe Adaptor

Note: If your Chimney runs more than 30' you must install a Roof Support. (JSC\*RS)



- Telescopic Length includes Finishing Band
- 24" Fixed Length

### SUPERVENT CHIMNEY PARTS LISTING

#### Part #'s

Cathedral Ceiling Support Kit	JSC*CCSK
Chimney Lengths (See Step 2)	
36" Length	JSC*SA3
24" Length	JSC*SA2
18" Length	JSC*SA18
12" Length	JSC*SA1
6" Length	JSC*SA6
Locking Band (Recommended for every Chimney Length)	JSC*SLB
Roof Flashing with Storm Collar (See Step 3)	
Adjustable 0/12 to 6/12	JSC*AAF
Adjustable 7/12 to 12/12	JSC*AF2
Rubber Boot Flashing Kit	JURBFK1
Storm Collar	JSC*SC-1
Universal Roof Guy Kit (see Helpful Installation Tips)	JURGK-1
JUSI	JUSI
Model DSP Double Wall Stove Pipe Parts Listing	
Universal Chimney Adaptor	DSP*CA
Telescopic Length installs from 38" to 68"	DSP*TL
Adjustable Length installs from 12" to 18"	DSP*AL-1
36" Fixed Length	DSP*P36-1
24" Fixed Length	DSP*P24-1
12" Fixed Length	DSP*P12-1
45° Elbow	DSP*E4-1
Tee Section	DSP*TE-1
Damper Kit	DSP*DK-1
Stove Adaptor	DSP*SA-1

Need Help? ... Contact us at: 1.800.992.VENT (8368) or visit us online @ www.supervent.com

## Step 2

### Determine the number of Chimney Lengths required.

This chart will help you to determine the number of chimney lengths your installation will require.

CHIMNEY LENGTH SELECTION CHART										
Chimney Height	Lengths Required				Chimney Height	Lengths Required				
	36"	24"	18"	12"		6"	36"	24"	18"	12"
4'	1			1	15'	5				
5'	1	1			16'	5			1	
6'	2				17'	5	1			
7'	2			1	18'	6				
8'	2	1			19'	6			1	
9'	3				20'	6	1			
10'	3			1	21'	7				
11'	3	1			22'	7			1	
12'	4				23'	7	1			
13'	4			1	24'	8				
14'	4	1			25'	8			1	

NOTE: When calculating the installed length of your chimney subtract 1-1/8" for each joint & include the Height Requirements shown in the illustration below.

### HEIGHT REQUIREMENTS CHART

The chimney must extend at least 3' above the highest point where it passes through the roof surface and at least 2' higher than any part of the building within a horizontal distance of 10'.

