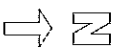
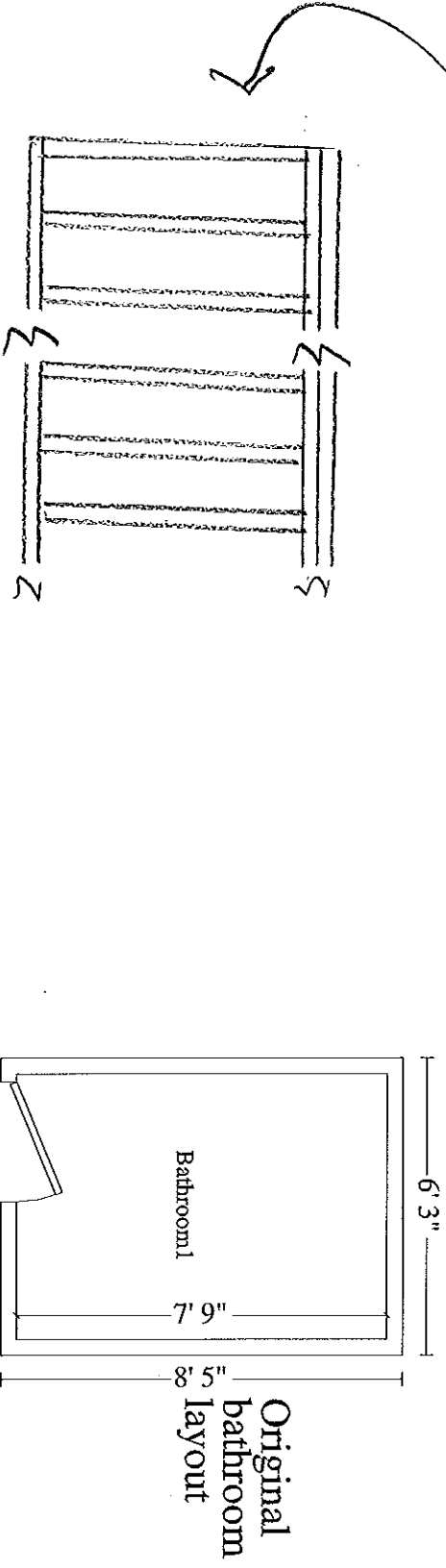
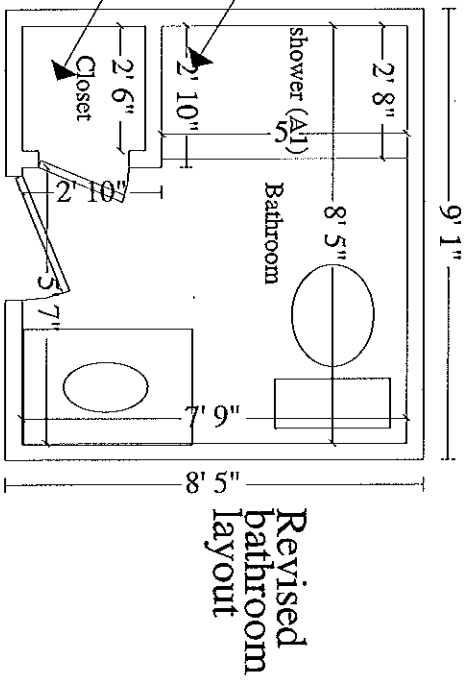


15 winding way, Shehed residence

Homeowner reframed Bathroom wall - extended into bedroom for shower and closet

Three new walls built with 2"x4" studs
16" O.C. and 2"x4" single top plate and
2"x4" double bottom plate



Level 2